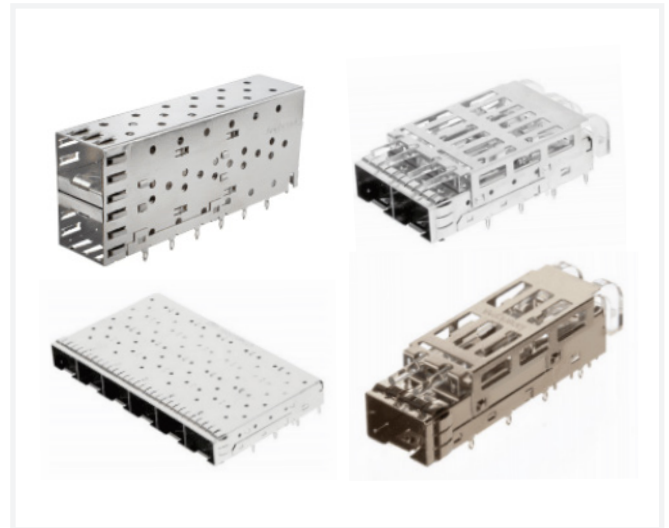


# ExpressPort® SFP+

Amphenol ICC's ExpressPort® SFP+ interconnect system provides data transfer speeds of up to 16Gb/s. The design of the ExpressPort® SFP+ connector minimizes impedance discontinuities and reflections at high data rates and provides a 10 to 20 dB improvement in Near-End Crosstalk. The ExpressPort® SFP+ unique cage construction features EMI shielding available in the form of metal spring fingers or elastomeric gaskets. Additional features available include light pipes, heat sinks and many other custom features.



## TARGET MARKETS



## TECHNICAL INFORMATION

### MATERIAL

- Housing: Black or nature color, Glass-reinforced, lead-free solder reflow process compatible thermoplastic
- Contacts Base Material: Phosphor Bronze
- Plating Solder Tails: Matte tin or gold flash options
- Plating Mating Area: Gold
- Resonance Dampening Feature: Conductive Polymer

### MECHANICAL PERFORMANCE

- Durability: 250 mating cycles
- Mating Force: 50 N max.
- Card Entry Slot: 1.0mm-thick integrated circuit cards
- Contact Normal Force: 100 grams
- PCB Thickness Single Side (Cage): 1.57 mm (0.062 in.) min.
- PCB Thickness Belly to Belly (Cage): 3.00 mm (0.118 in.) min.
- Unmating Force (Cage): 11.50 N max.
- Insertion Force to PCB (Cage):
  - 1000 N for 2 port
  - 2100 N for 4 port
  - 3000 N for 6 port

### ELECTRICAL PERFORMANCE

- Operating Voltage: 30 VDC per contact
- Operating Current: 0.5 A per contact
- Differential Impedance: 100Ω +/- 10Ω

### ENVIRONMENTAL

- Operating and (Storage) Temperature: -55° to +85°C
- RoHS & Halogen-Free

### TOOLING INFORMATION

- EMI Options, Heat Sink and Clip: Available
- Configurations:
  - 1xN (N = 1,2,3,4,5,6,8)
  - 2xN (N = 1,2,3,4,5,6,8)

### TARGET MARKETS/APPLICATIONS



Cellular Infrastructure  
Network Interface Cards  
Switch



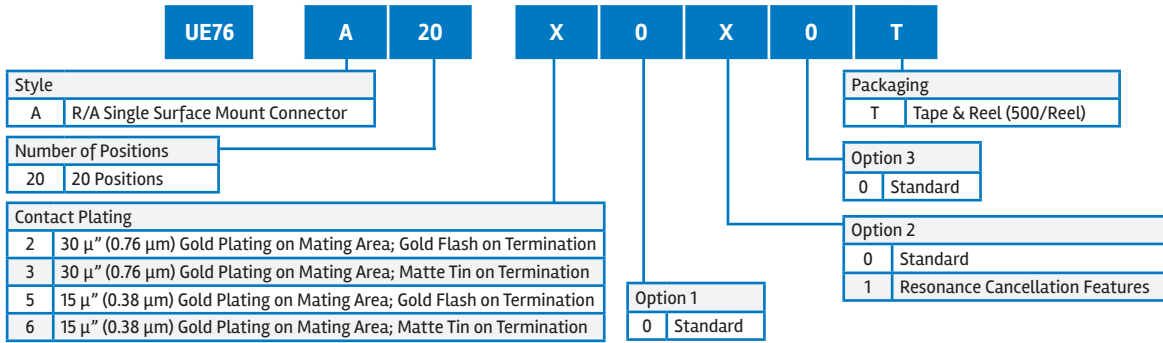
Hubs  
Servers  
Storage



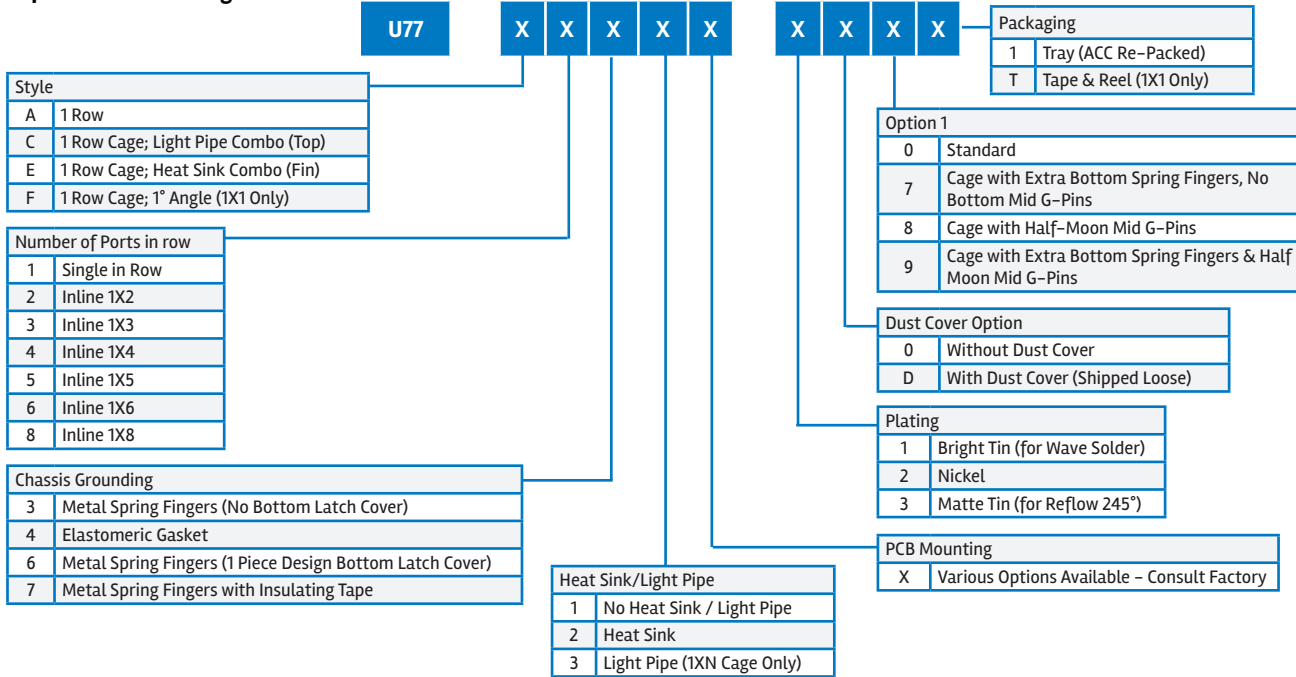
Test and Measurement Equipment

# ExpressPort® SFP+

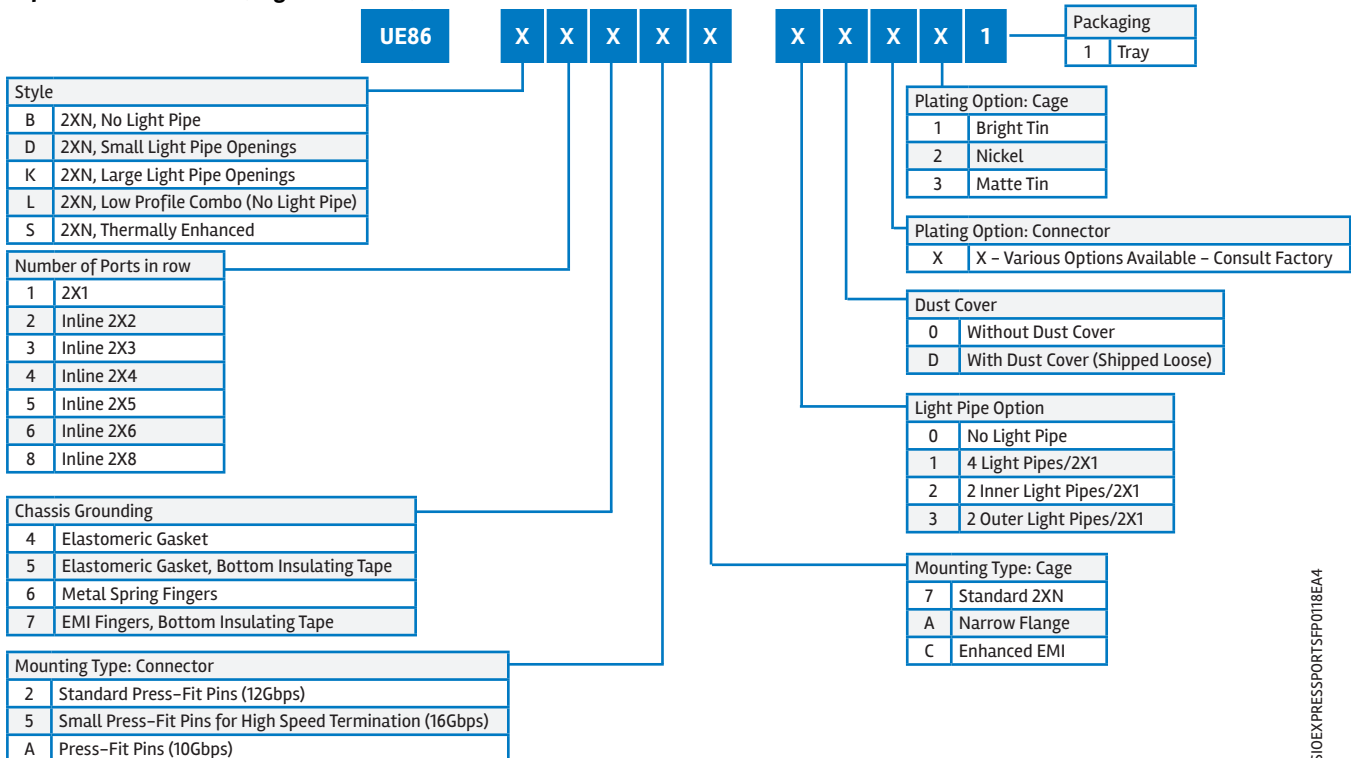
## ExpressPort® SFP+ Connector



## ExpressPort® SFP+ Cage



## ExpressPort® SFP+ 2XN (Cage/Connector)



HSIOEXPRESSPORTSFP018EA4