

REVISIONS				
SYM	ZONE	ECN, ERN NO.	DATE	APPRD.
A		PROPOSAL	2005/08/30	
B		UPDATED	APR28/08	
C		UPDATED	OCT27/09	

THIS IS A CAD DRAWING. DO NOT MANUALLY REVISE.

AMPHENOL PART NUMBER CONFIGURATION

U78 - L 1 1 2 6 - 0 0 X X 1

CONNECTOR PLATING

- 1 = 30 U" MIN. GOLD ON MATING AREA
150-300 U" TIN/LEAD ON TERMINATION
- 4 = 15 U" MIN. GOLD ON MATING AREA
150-300 U" TIN/LEAD ON TERMINATION

CAGE PLATING

- 1 = TIN PLATING
- 2 = NICKEL PLATING

MATERIAL:

CAGE:
COPPER ALLOY

PLATING:
SEE AMPHENOL PART NUMBER
CONFIGURATION FOR OPTIONS.

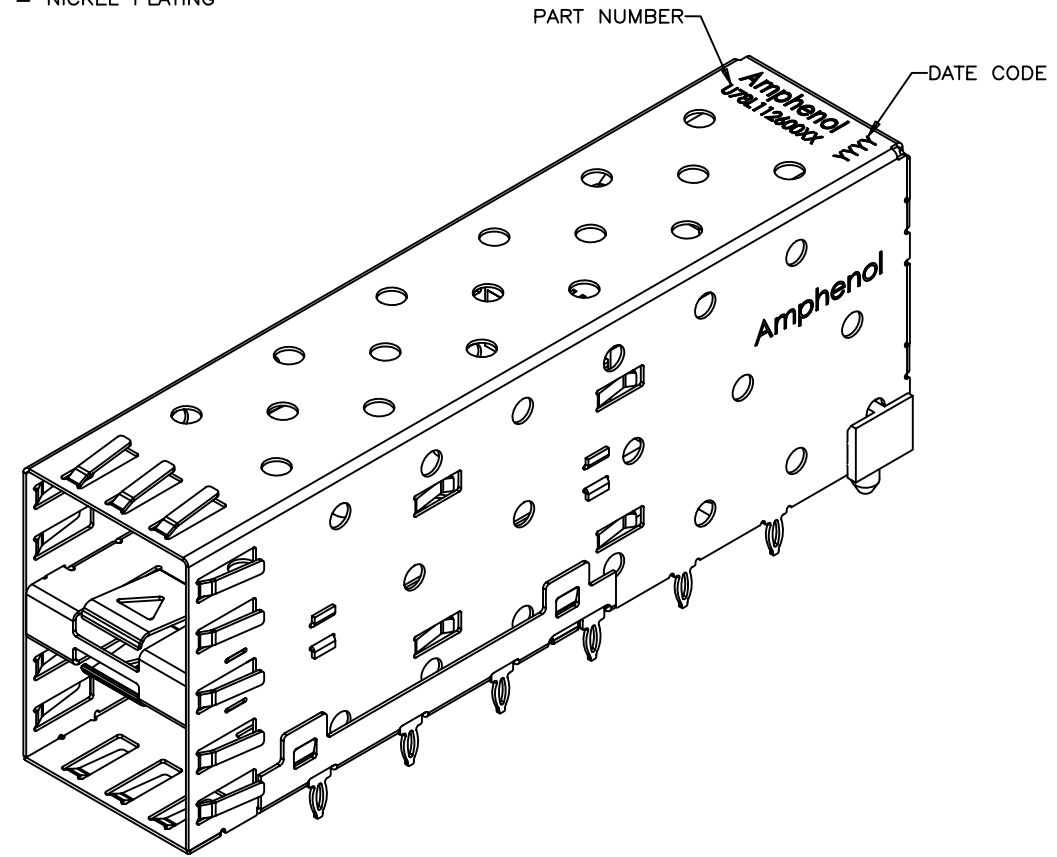
CONNECTOR:

PLASTIC HOUSING:
HIGH TEMPERATURE RESISTANT NYLON
FLAMMABILITY RATING UL94V-0.

CONTACTS:
PHOSPHOR BRONZE
PLATING OPTION:
SEE AMPHENOL PART NUMBER
CONFIGURATION FOR OPTIONS.

PACKAGING:
TRAY PACKAGING.

TEMPERATURE RANGE:
-40°C TO +85°C



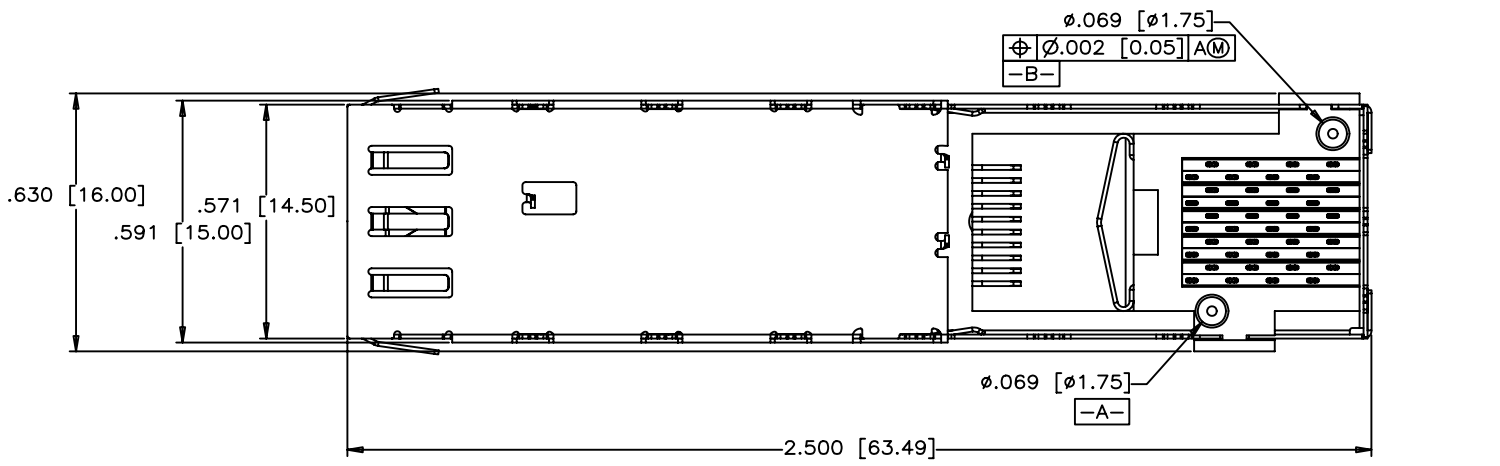
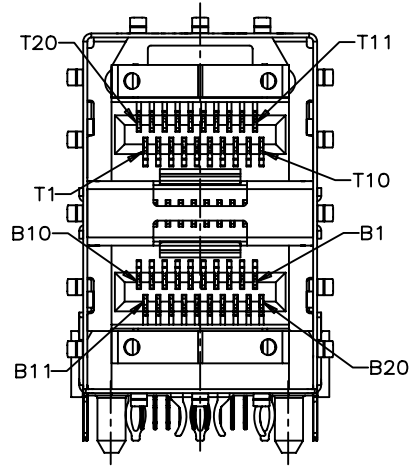
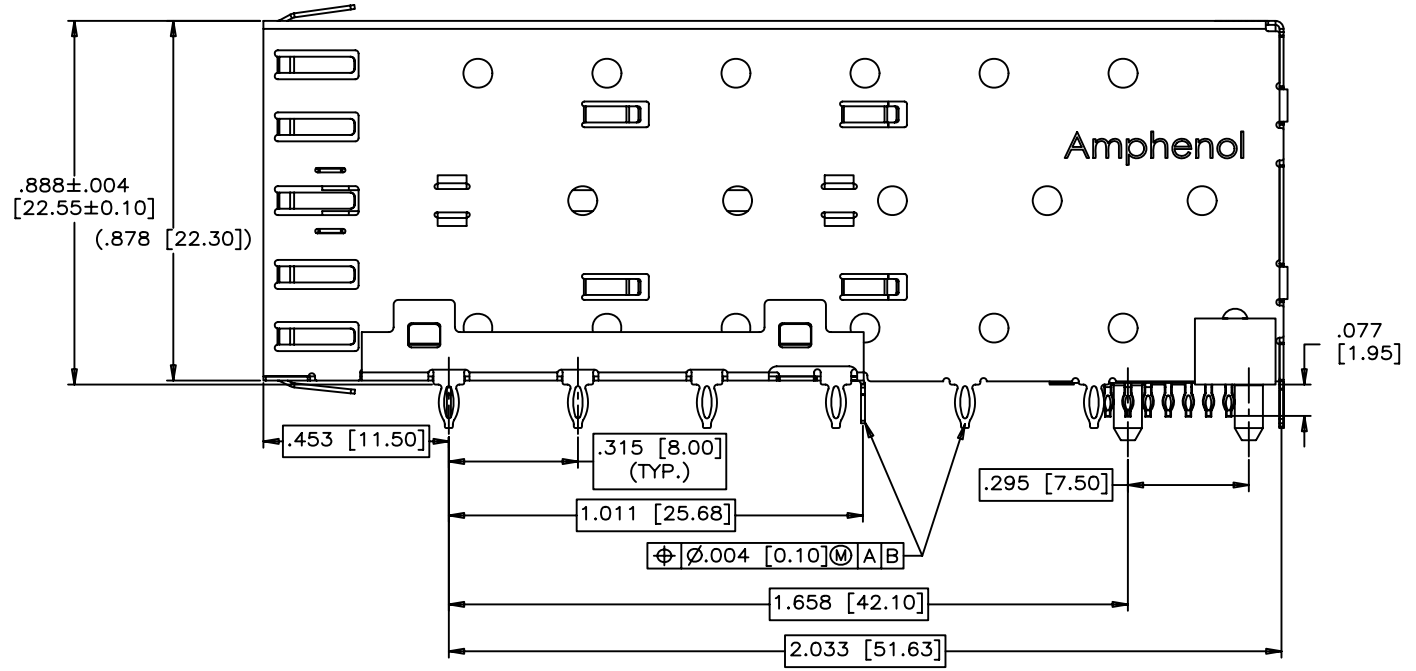
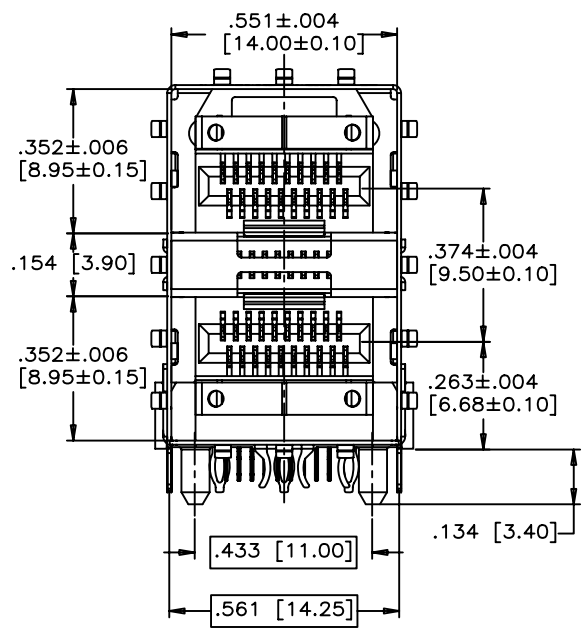
DRAWN	J.SI	DATE	2005/08/31
DESIGNED	J.SI	DATE	2005/08/31
CHECKED	X		
DWG. APPRD.			
ENG. REL. NO.			
REF.	X		
DIMENSIONS ARE IN	CODE ID. NO.		
INCHES (mm)	03554		

Amphenol Canada Corp.		
TITLE SFP STACKED LOW PROFILE COMBO WITH PRESS FIT PINS (CONNECTOR AND CAGE)		
DWG. APPRD.	DRAWING NO.	REV.
A	P-U78-L1126-00XX1	C
SCALE 2:1	WT. _____	SURF. _____
SHEET 1 OF 5		

THIS DOCUMENT CONTAINS PROPRIETARY INFORMATION AND SUCH INFORMATION MAY NOT BE DISCLOSED TO OTHERS FOR ANY PURPOSE OR USED FOR MANUFACTURING PURPOSES WITHOUT WRITTEN PERMISSION FROM AMPHENOL CANADA CORP.

REVISIONS				
SYM	ZONE	ECN, ERN NO.	DATE	APPRD.
A		PROPOSAL	2005/08/30	
B		UPDATED	APR28/08	
C		UPDATED	OCT27/08	

THIS IS A CAD DRAWING. DO NOT MANUALLY REVISE.



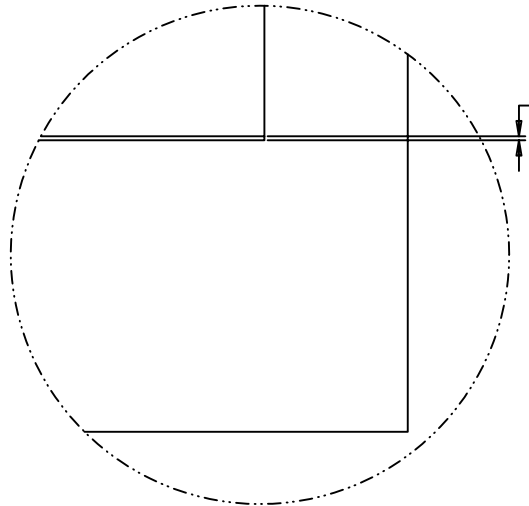
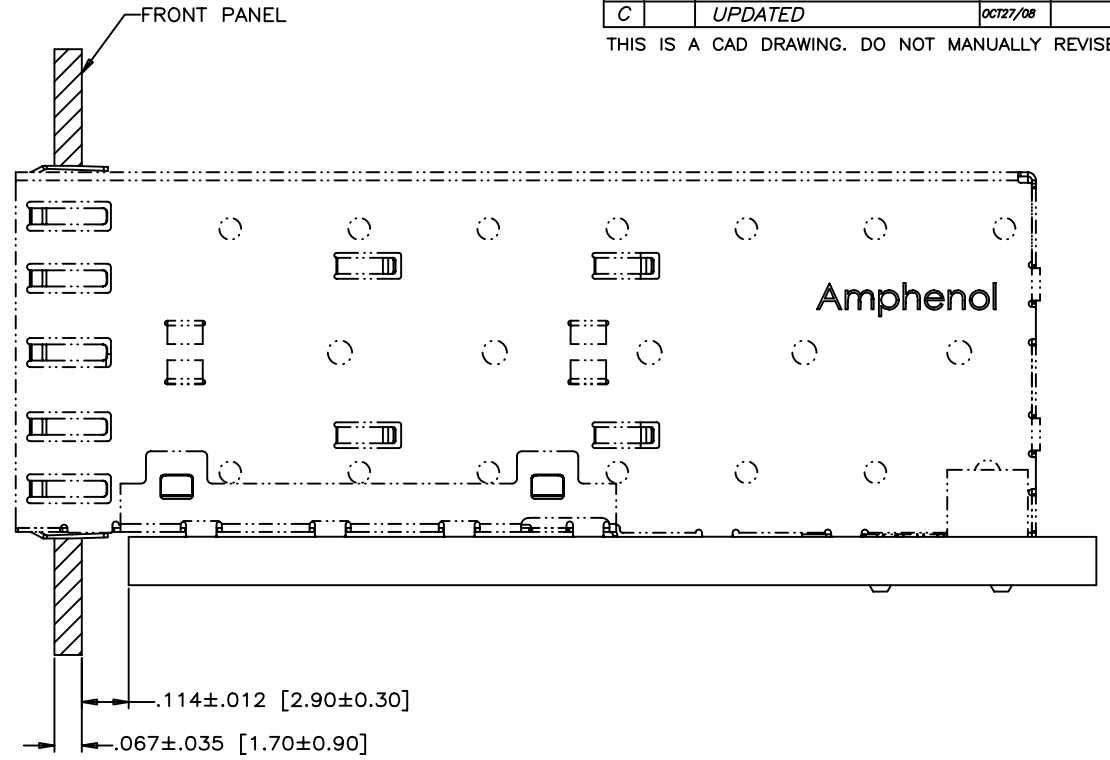
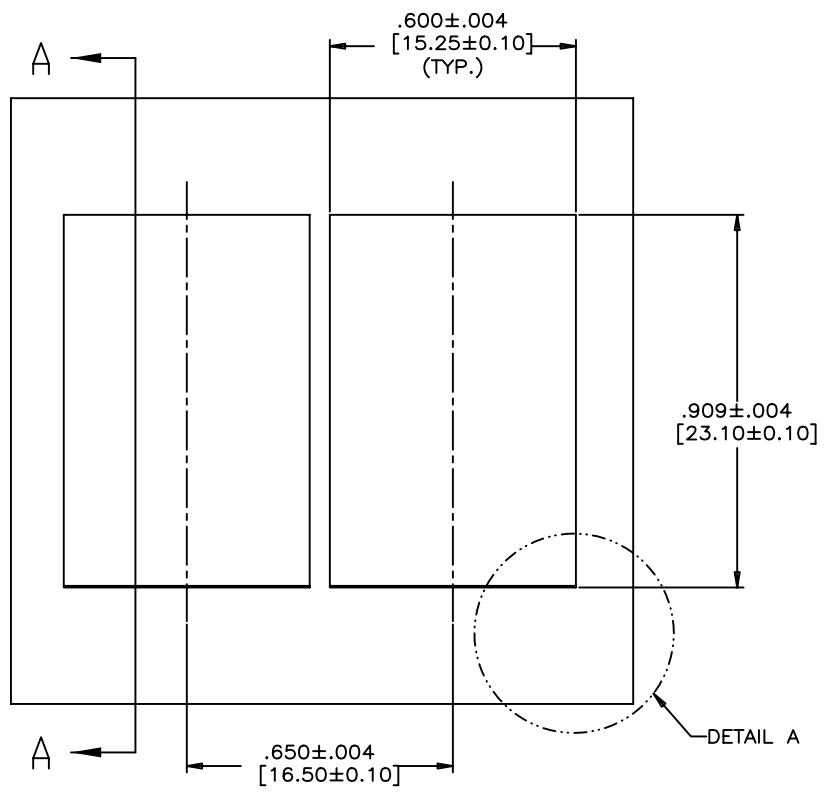
DRAWN	J.SI	DATE	2005/08/30
DESIGNED	J.SI	DATE	2005/08/30
CHECKED	X		
DWG. APPRD.			
ENG. REL. NO.			
REF.	X		
DIMENSIONS ARE IN	CODE ID. NO.		
INCHES (mm)	03554		

Amphenol Canada Corp.		
TITLE SFP STACKED LOW PROFILE COMBO WITH PRESS FIT PINS (CONNECTOR AND CAGE)		
DWG	DRAWING NO.	REV.
A	P-U78-L1126-00XX1	C
SCALE	WT.	SURF.
2:1		
SHEET 2 OF 5		

THIS DOCUMENT CONTAINS PROPRIETARY INFORMATION AND SUCH INFORMATION MAY NOT BE DISCLOSED TO OTHERS FOR ANY PURPOSE OR USED FOR MANUFACTURING PURPOSES WITHOUT WRITTEN PERMISSION FROM AMPHENOL CANADA CORP.

REVISIONS				
SYM	ZONE	ECN, ERN NO.	DATE	APPRD.
A		PROPOSAL	2005/08/30	
B		UPDATED	APR28/08	
C		UPDATED	OCT27/08	

THIS IS A CAD DRAWING. DO NOT MANUALLY REVISE.



$.004 \pm .003$ [0.10 ± 0.08]
 (TOP OF PCB ABOVE
 PANEL CUT OUT)

DETAIL A (SCALE 5:1)

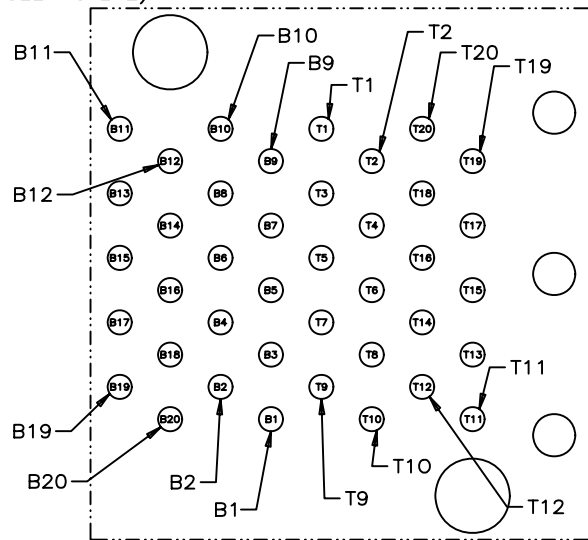
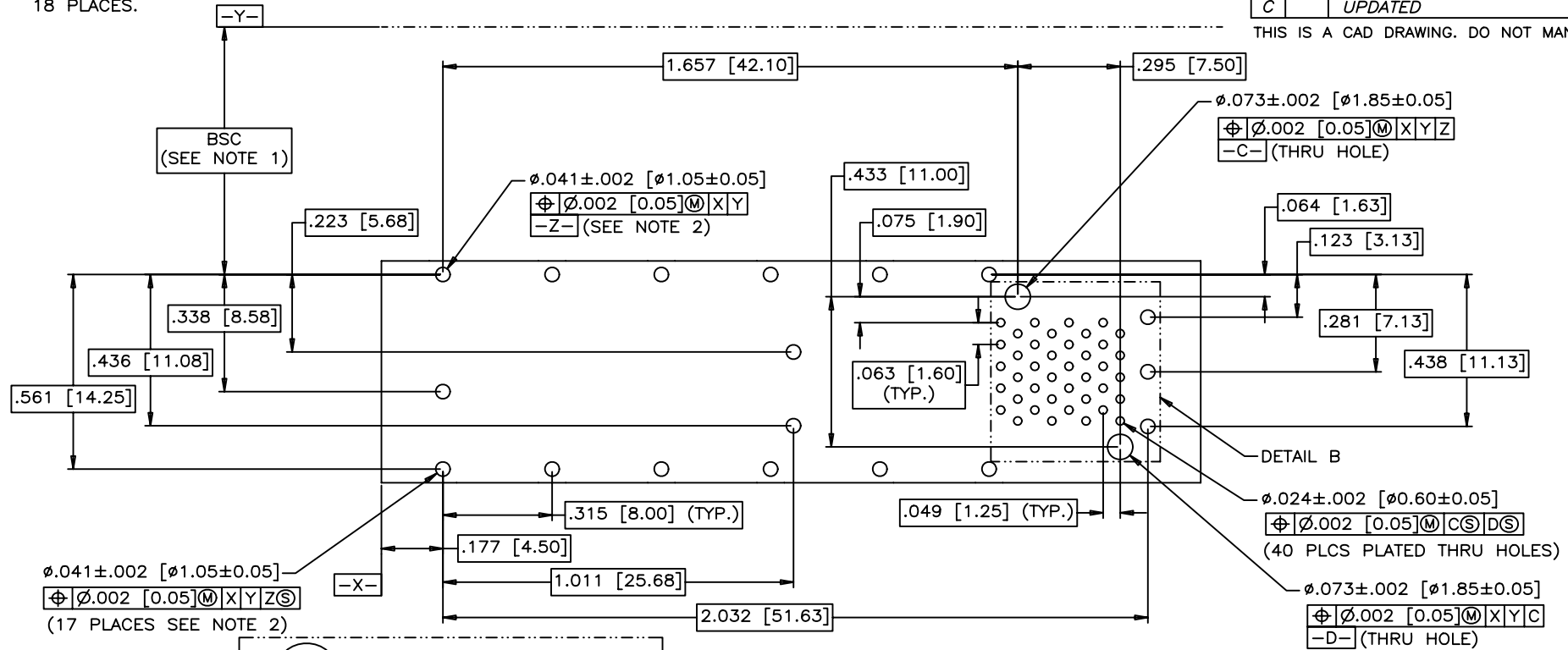
THIS DOCUMENT CONTAINS PROPRIETARY INFORMATION AND SUCH INFORMATION MAY NOT BE DISCLOSED TO OTHERS FOR ANY PURPOSE OR USED FOR MANUFACTURING PURPOSES WITHOUT WRITTEN PERMISSION FROM AMPHENOL CANADA CORP.

DRAWN	J.SI	DATE	2005/08/30	Amphenol Canada Corp.	
DESIGNED	J.SI	DATE	2005/08/30		
CHECKED	X		X	TITLE	
				SFP STACKED LOW PROFILE COMBO WITH PRESS FIT PINS (CONNECTOR AND CAGE)	
DWG. APPRD.				DWG	DRAWING NO.
ENG. REL. NO.				A	P-U78-L1126-00XX1
REF.	X			REV.	C
DIMENSIONS ARE IN		CODE ID. NO.	03554	SCALE	2:1
INCHES (mm)				WT.	
				SURF.	
				SHEET 3 OF 5	

- NOTES:
 1. DATUM AND BASIC DIMENSIONS ESTABLISHED BY CUSTOMER
 2. HOLES ARE CHASSIS GROUND, 18 PLACES.

REVISIONS				
SYM	ZONE	ECN, ERN NO.	DATE	APPRD.
A		PROPOSAL	2005/08/30	
B		UPDATED	APR28/08	
C		UPDATED	OCT27/08	

THIS IS A CAD DRAWING. DO NOT MANUALLY REVISE.



RECOMMENDED SFP HOST BOARD LAYOUT
(ONE SIDE CAGE MOUNTING)

DRAWN	J.SI	DATE	2005/08/30
DESIGNED	J.SI	DATE	2005/08/30
CHECKED	X		X
DWG. APPRD.			
ENG. REL. NO.			
REF.	X		
DIMENSIONS ARE IN	INCHES (mm)	CODE ID. NO.	03554

Amphenol Canada Corp.		
TITLE SFP STACKED LOW PROFILE COMB WITH PRESS FIT PINS (CONNECTOR AND CAGE)		
DWG	DRAWING NO.	REV.
A	P-U78-L1126-00XX1	C
SCALE	2:1	WT. _____ SURF. _____ SHEET 4 OF 5

THIS DOCUMENT CONTAINS PROPRIETARY INFORMATION AND SUCH INFORMATION MAY NOT BE DISCLOSED TO OTHERS FOR ANY PURPOSE OR USED FOR MANUFACTURING PURPOSES WITHOUT WRITTEN PERMISSION FROM AMPHENOL CANADA CORP.