

Ultrasonic Diffuse, PNP or NPN Outputs Type M12

CARLO GAVAZZI



- M12 stainless steel housing
- Sensing distance: 25 - 200 mm
- Remote Teach by wire
- Outputs: 1 switching outputs PNP or NPN
- Setup of NO or NC via Remote teach
- Power supply: 10 to 30 VDC
- 8° beam angle
- Protection: Short-circuit, reverse polarity, transients
- Protection degree IP 65
- M12 plug, 4 pin

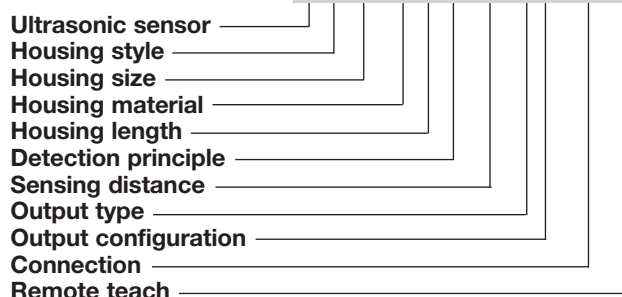
Product Description

A self-contained multi function diffuse ultrasonic sensor with a sensing range of 25 to 200 mm. 1 switching output - easily set up for NO or NC switching modes and adjusted by teach-in - makes it ideal for level control tasks in a wide variety of applications. A Stainless steel

housing provides the perfect packaging for the sophisticated microprocessor controlled and digitally filtered sensor electronics. Excellent EMC performance and precision are typical features of this sensor based on true distance measurement.

Ordering Key

UA12BLD02PPM1TR



Type Selection

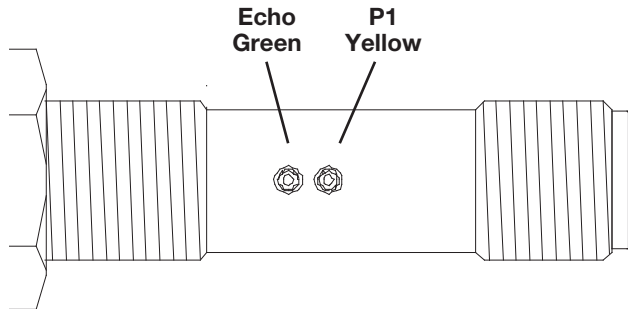
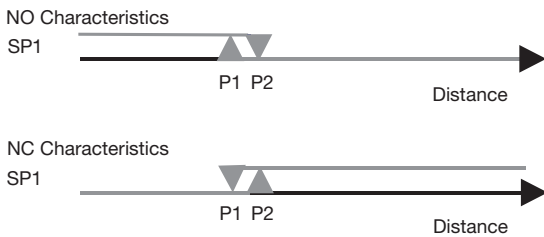
| Housing dimensions | Connection | Rated operating dist. (S _n) | Outputs | Ordering no. |
|--------------------|-----------------|---|----------------|------------------------|
| M12 x 79 mm | Plug M12, 4 pin | 25-200 mm | 1 x PNP, NO/NC | UA12BLD02PPM1TR |
| M12 x 79 mm | Plug M12, 4 pin | 25-200 mm | 1 x NPN, NO/NC | UA12BLD02NPM1TR |

Technical Data

| | | | |
|--|---|---|---|
| Rated operational volt. (U_e) | 10 to 30 VDC (ripple included) | Operating frequency | 20 Hz |
| Ripple | 10% | Carrier Frequency | 400 kHz |
| Output current (I_o) | max. 100 mA (continuous) | Response time | 10 ms (target speed 1 m/s) 25 ms (step response) |
| No-load supply current (I_o) | ≤ 35 mA | Hysteresis (H) (differential travel) | 2% |
| Protection | Short-circuit, transients and reverse polarity | Repeatability | 0.3 mm |
| Rated insulation voltage | > 1 kV | Temperature compensation | Yes |
| Output | 1 PNP or NPN open coll. NO or NC via Teach | Beam angle | 12° |
| Power-on delay | < 400 ms | Ambient temperature Operating and Storage | -20° to +70°C (-4° to +158°F) |
| Voltage drop (U_d) | < 1.4 V | Degree of protection | IP 65 |
| Off-state current (I_o) | < 100 µA | Housing material | Stainless steel |
| Indication | Set points, 1 LED, yellow Echo, 1 LED, green | Connection Cables for plug (M1) | Plug M12, 4-pin CONB14 series |
| Rated operating distance | 25-200 mm | Weight | 22 g |
| | | Tightening torque | 15 Nm |
| | | CE-marking | Yes |

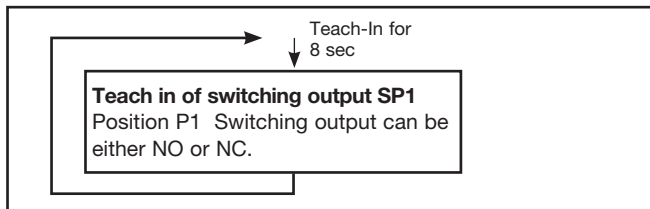
Switching Operation

Normal Switching Operation



Teach in of output

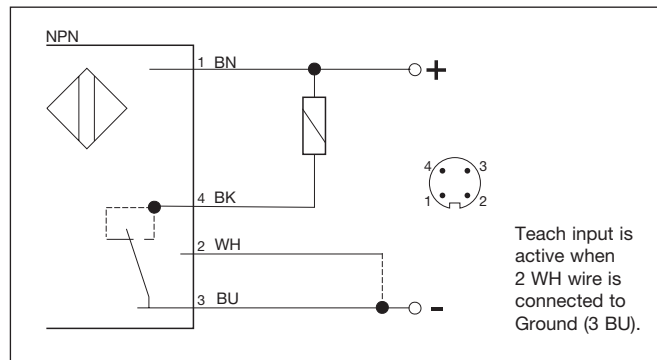
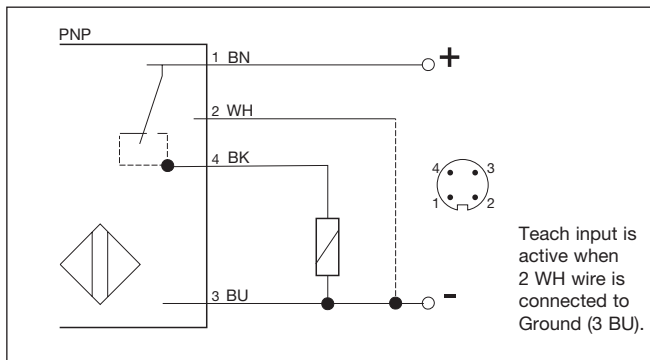
All these functions may be programmed/taught by means of the Teach-in input (pin 2) present in the connector. Each mode has a unique indication using the Echo, P1 and P2 LEDs. The programming/Teach-In procedure is shown in the following flow diagram:



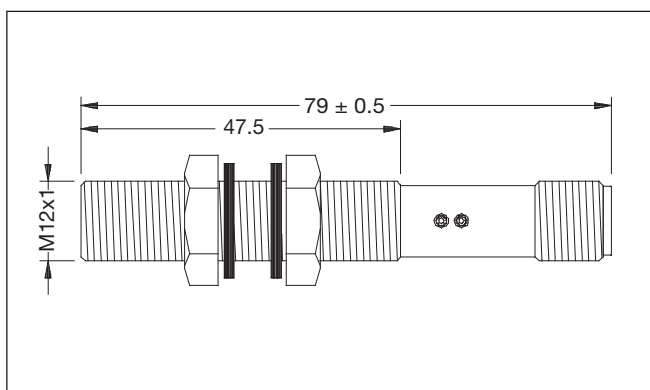
Normal function:

The Echo LED is ON when an echo is received (alignment LED). P1 LED is indicating status of the switching output.

Wiring Diagram



Dimensions



Detection Range

