

Ultrasonic Diffuse, Digital Output Types UA18EAD.....TI

CARLO GAVAZZI



- Cylindrical M18 Stainless Steel INOX AISI 316L housing
- Sensing distance: 50-1500 mm
- Power supply: 15 to 30 VDC
- Outputs: Two multi function switching outputs. PNP or NPN, NO or NC
- Setup: Normal switching or adjustable hysteresis
- Repeatability 0.5%
- Beam angle. $\pm 7^\circ$ or $\pm 10^\circ$
- Protection: Short-circuit, reverse polarity and overvoltage
- Protection degree IP 67
- 2 m cable or M12 plug



Product Description

A self-contained multi function diffuse ultrasonic sensor in Stainless steel housing and with a sensing range of 50 to 1500 mm in three ranges. 2 switching outputs - easily set up for two different output modes and adjusted by teach-in - makes it ideal for level control tasks in a wide variety of vessels. A sturdy

one-piece polyester housing provides the perfect packaging for the sophisticated microprocessor controlled and digitally filtered sensor electronics. Excellent EMC performance and precision are typical features of this sensor on true distance measurement.

Ordering Key

UA18EAD04NPM1TI

Ultrasonic sensor	_____
Housing style	_____
Housing size	_____
Housing material	_____
Housing length	_____
Detection principle	_____
Sensing distance	_____
Output type	_____
Output configuration	_____
Connection	_____
Teach-in	_____

Type Selection

Housing diameter	Connection	Rated operating dist. (S _n)	Digital output NPN/PNP	Ordering no.
M18	Plug M12	50-400 mm	2 x NPN	UA 18 EAD 04 NP M1 TI
M18	Cable	50-400 mm	2 x NPN	UA 18 EAD 04 NP TI
M18	Plug M12	50-400 mm	2 x PNP	UA 18 EAD 04 PP M1 TI
M18	Cable	50-400 mm	2 x PNP	UA 18 EAD 04 PP TI
M18	Plug M12	100-900 mm	2 x NPN	UA 18 EAD 09 NP M1 TI
M18	Cable	100-900 mm	2 x NPN	UA 18 EAD 09 NP TI
M18	Plug M12	100-900 mm	2 x PNP	UA 18 EAD 09 PP M1 TI
M18	Cable	100-900 mm	2 x PNP	UA 18 EAD 09 PP TI
M18	Plug M12	200-1500 mm	2 x NPN	UA 18 EAD 15 NP M1 TI
M18	Cable	200-1500 mm	2 x NPN	UA 18 EAD 15 NP TI
M18	Plug M12	200-1500 mm	2 x PNP	UA 18 EAD 15 PP M1 TI
M18	Cable	200-1500 mm	2 x PNP	UA 18 EAD 15 PP TI

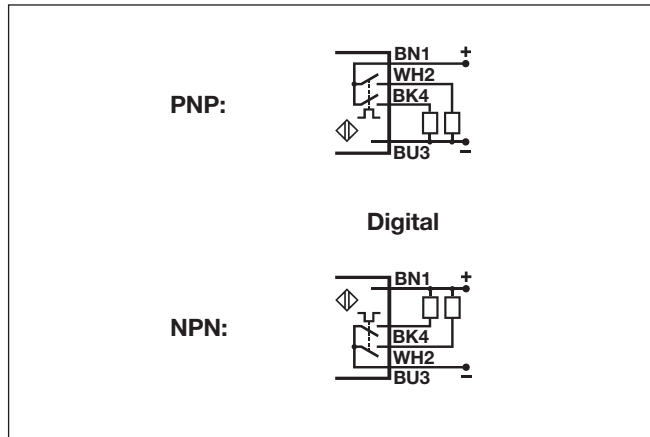
Specifications

Rated operating distance (S _n)	Reference target: 1 mm metal rolled finish. EAD04: 100 x 100 mm EAD09 and EAD15: 200 x 200 mm 50 - 400 mm 100 - 900 mm 200 - 1500 mm	Repeatability	0.5%
	UA18EAD04 UA18EAD09 UA18EAD15	Beam angle UA18EAD04... UA18EAD09... UA18EAD22...	$\pm 10^\circ$ $\pm 7^\circ$ $\pm 7^\circ$
Blind zone UA18EAD04... UA18EAD09... UA18EAD22...	≤ 50 mm ≤ 100 mm ≤ 200 mm	Adjustment Push-button	P1 (farthest setpoint) P2 (nearest setpoint)
		Temperature drift	$\leq 0.1\%/^\circ\text{C}$ @ -20° to $+60^\circ\text{C}$
		Temperature compensation	Yes

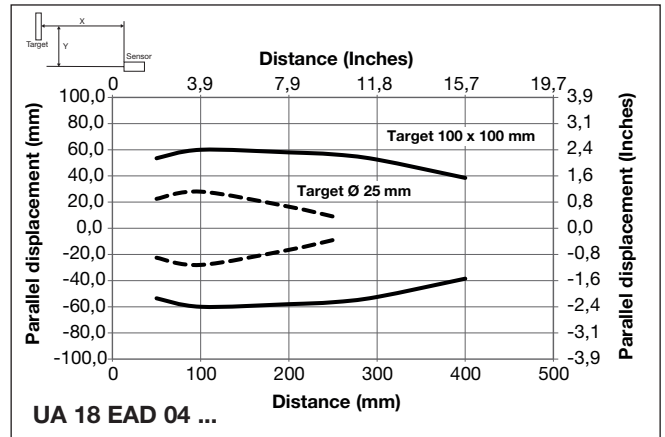
Specifications (cont.)

Hysteresis (H)	Min. 1%	Normal Switching function with N.O and N.C. output. Adjustable hysteresis Filling or emptying control
Rated operational voltage (U_B)	15 to 30 VDC (ripple included)	
Ripple (U_{rip})	≤ 5%	
No-load supply current (I_o)		Indication Output ON
UA18EAD04...	≤ 45 mA @ U_B max	Yellow LED
UA18EAD09...	≤ 45 mA @ U_B max	Environment
UA18EAD15...	≤ 50 mA @ U_B max	Installation category
Output current continuous (I_o)		Pollution degree
Max. load capacity 100 nF	≤ 500 mA	Degree of protection
UL508 specification	≤ 100 mA	Ambient temperature
Output current short-time (I)		Operating
Max. load capacity 100 nF	≤ 500 mA	Storage
UL508 specification	≤ 100 mA	Vibration
Minimum operational current (I_m)	≤ 0.5 mA	10 to 55 Hz, 1.0 mm/6g (IEC/EN 60068-2-6)
OFF-state current (I_r)	≤ 10 μ A	Shock
Voltage drop (U_d)	≤ 2.2 VDC @ I_o max.	30 g / 11 mS, 3 directions (IEC/EN 60068-2-27)
Protection	Short-circuit, overvoltage and reverse polarity	Rated insulation voltage
Carrier frequency		< 500 VAC (rms)
UA18EAD04...	300 kHz	Housing
UA18EAD09...	300 kHz	Material body
UA18EAD15...	200 kHz	Material front
Operating frequency (f)		Material back, plug
UA18EAD04...	≤ 10 Hz	Material back, cable
UA18EAD09...	≤ 4 Hz	Material push-button
UA18EAD15...	≤ 1 Hz	Sealing around push-button
Response time OFF-ON (t_{ON})		Material sealing front
UA18EAD04...	≤ 50 mS	UA18EAD04...
UA18EAD09...	≤ 125 mS	UA18EAD09...
UA18EAD15...	≤ 500 mS	UA18EAD15...
Response time ON-OFF (t_{OFF})		Connection
UA18EAD04...	≤ 50 mS	Cable
UA18EAD09...	≤ 125 mS	Plug
UA18EAD15...	≤ 500 mS	Tightening torque
Power ON delay	≤ 900 mS	≤ 50 Nm
Output function, open collector		Weight
By sensor type	NPN or PNP	Cable version
Output switching function	Two open collector transistor outputs to be configured as:	Plug version
		CE-marking
		Yes
		Approvals
		cULus (UL508)

Wiring Diagram



Detection Range



Dimensions

