

Ultrasonic Diffuse, Digital Output Types UA30CAD.....TI



- Cylindrical M30 PBT housing
- Sensing distance: 250-3500 mm
- Power supply: 12 to 30 VDC
- Outputs: Two multi function switching outputs. PNP or NPN
- Setup: Normal switching or adjustable hysteresis
- Repeatability 0.2%
- Beam angle. $\pm 6^\circ$
- Protection: Short-circuit, reverse polarity and overvoltage
- Protection degree IP 67, Nema 4X
- 2 m cable or M12 plug



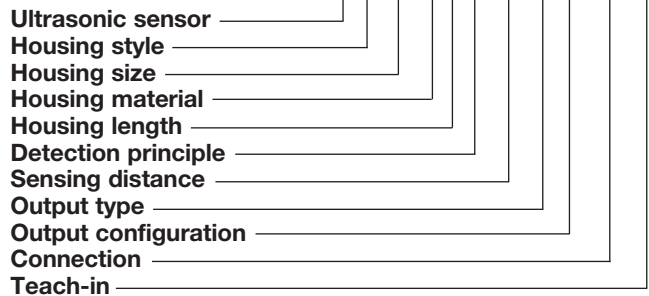
Product Description

A self-contained multi function diffuse ultrasonic sensor with a sensing range of 250 to 3500 mm. 2 switching outputs - easily set up for two different output modes and adjusted by teach-in - makes it ideal for level control tasks in a wide variety of vessels. A sturdy one-piece polyester

housing provides the perfect packaging for the sophisticated microprocessor controlled and digitally filtered sensor electronics. Excellent EMC performance and precision are typical features of this sensor on true distance measurement.

Ordering Key

UA30CAD35NPM1TI



Type Selection

Housing diameter	Connection	Rated operating dist. (S _n)	Digital output NPN/PNP	Ordering no.
M30	Plug M12	250-3500 mm	2 x NPN	UA 30 CAD 35 NP M1 TI
M30	Cable	250-3500 mm	2 x NPN	UA 30 CAD 35 NP TI
M30	Plug M12	250-3500 mm	2 x PNP	UA 30 CAD 35 PP M1 TI
M30	Cable	250-3500 mm	2 x PNP	UA 30 CAD 35 PP TI

Specifications

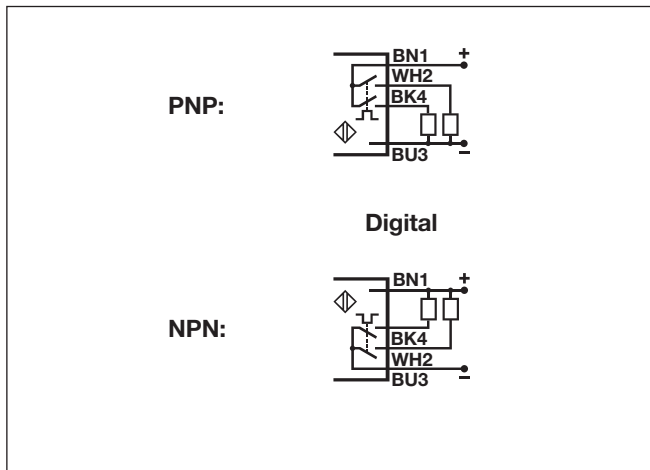
Rated operating distance (S_n)	Reference target: 1 mm metal rolled finish, size 200 x 200 mm. 250 - 3500 mm	Max. load capacity 100 nF UL508 specification	≤ 300 mA ≤ 100 mA
Blind zone	≤ 250 mm	Output current short-time (I) Max. load capacity 100 nF UL508 specification	≤ 300 mA ≤ 100 mA
Repeatability	0.2%	Minimum operational current (I_m)	≤ 0.5 mA
Beam angle	±6°	OFF-state current (I_o)	≤ 10 µA
Adjustment Push-button	P1 (farthest setpoint) P2 (nearest setpoint)	Voltage drop (U_d)	≤ 2.2 VDC @ 100 mA
Temperature drift	≤ 0.1%/°C @ -20° to +70° C	Protection	Short-circuit, overvoltage and reverse polarity
Temperature compensation	Yes	Carrier frequency	112 kHz
Hysteresis (H)	Min. 0.5%	Operating frequency (f)	≤ 2 Hz
Rated operational voltage (U_B)	12 to 30 VDC (ripple included)	Response time OFF-ON (t_{ON})	≤ 250 mS
Ripple (U_{ripple})	≤ 5%	Response time ON-OFF (t_{OFF})	≤ 250 mS
No-load supply current (I_o)	≤ 50 mA @ U _B max	Power ON delay	≤ 500 mS
Output current continuous (I_e)		Output function, open collector	



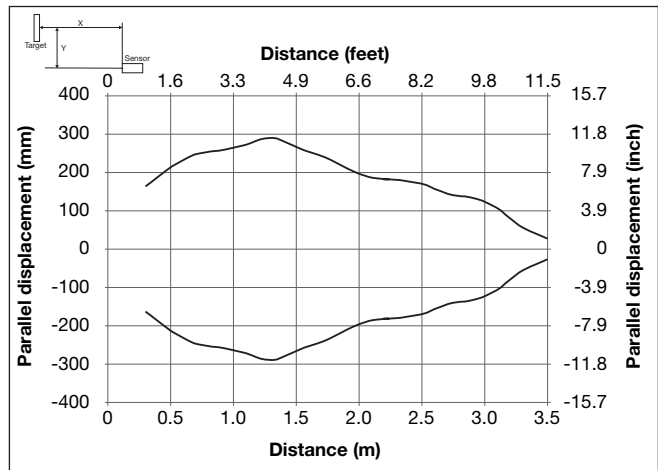
Specifications (cont.)

By sensor type	NPN or PNP	Rated insulation voltage	< 500 VAC (rms)
Output switching function	Two open collector transistor outputs to be configured as: - Normal Switching function with N.O output. - Adjustable hysteresis Filling or emptying control	Housing	Material body: PBT Material front: Epoxy-glass resin Material back, plug: Grilamid Material back, cable: Grilamid Material push-button: TPE Sealing around push-button: TPE Material sealing front: TPE
Indication	Output ON: Yellow LED Echo received: Green LED	Connection	Cable: PVC, grey, 2 m, 4 x 0.34 mm ² , Ø = 4.7 mm Plug: M12, 4-pin (CON. 14-series)
Environment	Installation category: III (IEC 60664/60664A; 60947-1) Pollution degree: 3 (IEC 60664/60664A; 60947-1) Degree of protection: IP67 (IEC 60529; 60947-1) Nema 4X	Tightening torque	≤ 1.5 Nm
Ambient temperature	Operating: -20° to +70°C (-4° to +158°F) Storage: -35° to +70°C (-31° to +158°F)	Weight	Cable version: 160 g Plug version: 90 g
Vibration	10 to 55 Hz, 1.0 mm/6G. (IEC/EN 60068-2-6)	CE-marking	Yes
Shock	30 g / 11 mS, 3 directions (IEC/EN 60068-2-27)	Approvals	cULus (UL508)

Wiring Diagram



Detection Range



Dimensions

