

# Ultrasonic Diffuse, Analogue and Digital Output Types UA30EAD.....TI

CARLO GAVAZZI



- Cylindrical M30 Stainless Steel INOX AISI 316L housing
- Sensing distance: 350-3500 mm
- Power supply: 12 (15) to 30 VDC
- Outputs: 0-10 VDC or 4-20 mA and one switching output NPN or PNP.
- Linearity error 1%
- Repeatability 1%
- Beam angle.  $\pm 7^\circ$
- Protection: Short-circuit, reverse polarity and overvoltage
- Protection degree IP 67
- 2 m cable or M12 plug



## Product Description

A family of diffuse ultrasonic sensors in Stainless steel housing and with sensing range from 350-3500 mm with a resolution as low as 2.0 mm.

The sensor contains both an analogue and a digital output. The output is either 0-10V or 4-20 mA and the digital output NPN or PNP, NO or NC which

forms a windows detection. The sensor is the ideal choice for distance measurement, level measurement, diameter measurement or loop control. Due to use of microprocessor control the digital filtering makes the sensor immune to most electromagnetic interferences.

## Ordering Key

**UA30EAD35NGM1TI**

Ultrasonic sensor	_____
Housing style	_____
Housing size	_____
Housing material	_____
Housing length	_____
Detection principle	_____
Sensing distance	_____
Output type	_____
Output configuration	_____
Connection	_____
Teach-in	_____

## Type Selection

Housing diameter	Connection	Rated operating dist. (S <sub>n</sub> )	Analog Output	Digital output NPN/PNP	Ordering no.
M30	Plug M12	350-3500 mm	4-20 mA	NPN	<b>UA 30 EAD 35 NG M1 TI</b>
M30	Cable	350-3500 mm	4-20 mA	NPN	<b>UA 30 EAD 35 NG TI</b>
M30	Plug M12	350-3500 mm	0-10 V	NPN	<b>UA 30 EAD 35 NK M1 TI</b>
M30	Cable	350-3500 mm	0-10 V	NPN	<b>UA 30 EAD 35 NK TI</b>
M30	Plug M12	350-3500 mm	4-20 mA	PNP	<b>UA 30 EAD 35 PG M1 TI</b>
M30	Cable	350-3500 mm	4-20 mA	PNP	<b>UA 30 EAD 35 PG TI</b>
M30	Plug M12	350-3500 mm	0-10 V	PNP	<b>UA 30 EAD 35 PK M1 TI</b>
M30	Cable	350-3500 mm	0-10 V	PNP	<b>UA 30 EAD 35 PK TI</b>

## Specifications

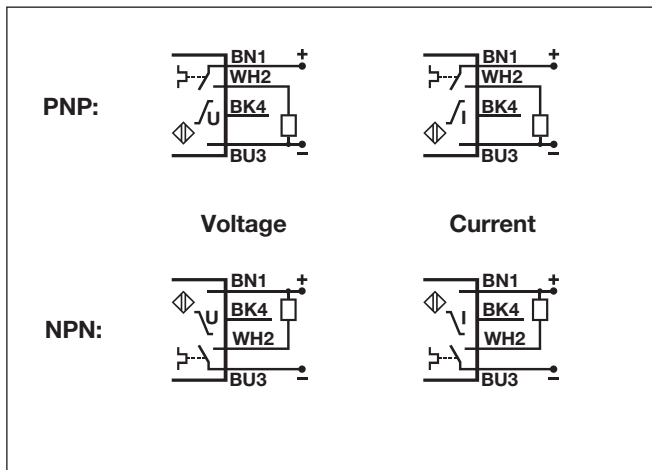
<b>Rated operating distance (S<sub>n</sub>)</b>	Reference target: 1 mm metal rolled finish, size 400 x 400 mm. 350 - 3500 mm	<b>Rated operational voltage (U<sub>B</sub>)</b>	NG or PG versions NK or PK versions	12 to 30 VDC 15 to 30 VDC (ripple included)
<b>Blind zone</b>	≤ 350 mm	<b>Ripple (U<sub>ripple</sub>)</b>		≤ 5%
<b>Repeatability</b>	1%	<b>No-load supply current (I<sub>o</sub>)</b>		50 mA @ U <sub>B</sub> max
<b>Linearity error</b>	1%	<b>Output current continuous digital output (I<sub>o</sub>)</b>	Max. load capacity 100 nF	100 mA
<b>Beam angle</b>	±7°	<b>Output current short-time digital output (I)</b>	Max. load capacity 100 nF	100 mA
<b>Sensitivity</b>		<b>Minimum operational current digital output (I<sub>m</sub>)</b>		0.5 mA
Push-button	P1 (longest setpoint) P2 (shortest setpoint)	<b>OFF-state current digital output (I<sub>o</sub>)</b>		10 µA
Resolution	2 mm			
<b>Temperature drift</b>	0.1%/°C @ -20° to +70° C			
<b>Temperature compensation</b>	Yes			
<b>Hysteresis (H)</b>	Min. 1%			

## Specifications (cont.)

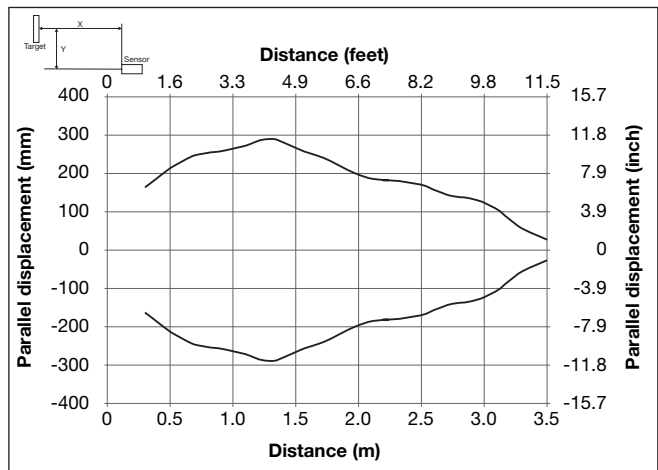
<b>Voltage drop digital output</b> ( $U_d$ )	$\leq 2.2$ VDC @ 100 mA
<b>Protection</b>	
Digital output	Short-circuit, overvoltage pulses and reverse polarity
Supply	Overvoltage pulses and reverse polarity
Analogue output	Overvoltage pulses
<b>Analog output</b>	
NG.. or PG.. types	4 to 20 mA
NK.. or PK.. types	0 to 10 VDC
<b>Load</b>	
4 to 20 mA	$\leq 500 \Omega$
0 to 10 VDC	$\geq 3 k\Omega$
<b>Carrier frequency</b>	112 kHz
<b>Operating frequency digital output</b> (f)	$\leq 2$ Hz
<b>Response time OFF-ON digital output</b> ( $t_{ON}$ )	$\leq 250$ mS
<b>Response time ON-OFF digital output</b> ( $t_{OFF}$ )	$\leq 250$ mS
<b>Response time analog output</b>	$\leq 500$ mS
<b>Power ON delay</b>	$\leq 500$ mS
<b>Output function, open collector</b>	
By sensor type	NPN or PNP
<b>Output switching function</b>	One open collector transistor and one analogue output to be configured as: - Windows function with N.O or N.C. output. - Analogue output with positive or negative slope.
<b>Indication</b>	
Output ON	Yellow LED
Echo received	Green LED

<b>Environment</b>	
Installation category	III (IEC 60664/60664A; 60947-1)
Pollution degree	3 (IEC 60664/60664A; 60947-1)
Degree of protection	IP67 (IEC 60529; 60947-1)
<b>Ambient temperature</b>	
Operating	-20° to +70°C (-4° to +158°F)
Storage	-35° to +70°C (-31° to +158°F)
<b>Vibration</b>	10 to 55 Hz, 1.0 mm/6G. (IEC/EN 60068-2-6)
<b>Shock</b>	30 g / 11 mS, 3 directions (IEC/EN 60068-2-27)
<b>Rated insulation voltage</b>	< 500 VAC (rms)
<b>Housing</b>	
Material body	AISI 316L
Material front	Epoxy-glass resin
Material back, plug	Grilamid
Material back, cable	Grilamid
Material push-button	TPE
Sealing around push-button	TPE
Material sealing front	TPE
<b>Connection</b>	
Cable	PVC, grey, 2 m, 4 x 0.34 mm <sup>2</sup> , $\varnothing = 4.7$ mm
Plug 14-series)	M12, 4-pin (CON).
<b>Tightening torque</b>	$\leq 100$ Nm
<b>Weight</b>	
Cable version	220 g
Plug version	150 g
<b>CE-marking</b>	Yes
<b>Approvals</b>	cULus (UL508)

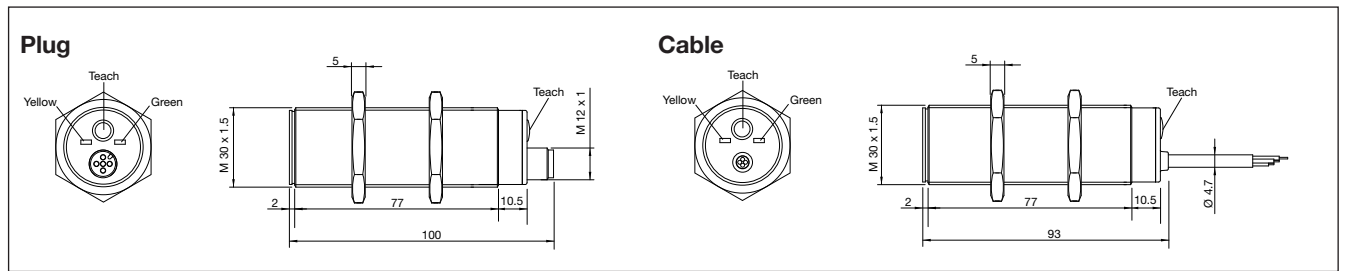
## Wiring Diagram



## Detection Range



## Dimensions



## Programming setup

**General set up of sensing point P1 (longest distance) and Shortest distance (P2) independent on the sensor type or function.**

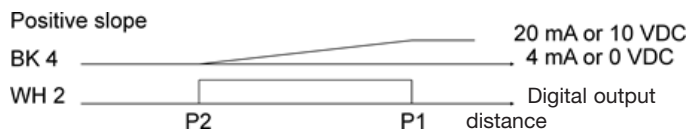
- 1) Mount the sensor in the selected application
- 2) Place a target in front of the sensor at the maximum required distance (P1), then press shortly on the teach-button, the Yellow LED switch Off and then On again after maximum 2 seconds. The distance (P1) is now saved in the sensor, and the target can be moved. I)
- 3) Place the target at the minimum distance requested (P2), then press shortly on the teach-button, the yellow LED turn Off then flash 5 times . The distance (P2) is now saved in the sensor and the target can be moved. II)

I) P1 can be set to a maximum exceeding the family specification for the sensor by removing the target in front of the sensor, push and hold the teach-button more than one second and the sensing distance is set at a unique distance for this sensor only. Do not use this function for an analogue output.

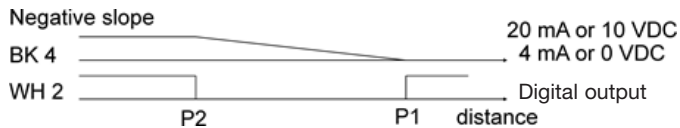
II) The second switch point can be set to minimum by setting the target within the blind zone close to the sensor head or by covering the sensor head with your hand while teaching P2.

### Sensors with 1 digital output and one analogue output UA..EAD..PG/PK/NG or NK types

- 1) The factory setting is Normally Open N.O. for the digital output and positive slope for the analogue output.



- 2) To reverse the slope to negative and reverse the N.O. output to Normally Closed N.C. Push the teach-button for 8 second until the yellow LED flash fast release the teach button and the LED will flash 5 times to acknowledge the change in function.



- 3) To switch back to positive slope or N.O. output, repeat step 2.