

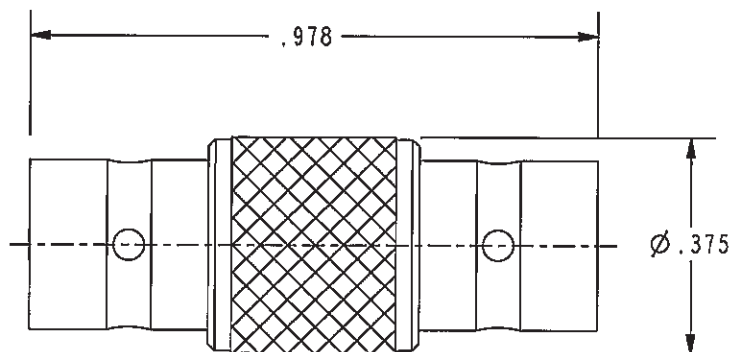
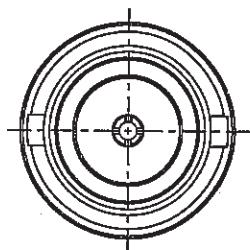
DATA CONTAINED IN THIS DOCUMENT IS PROPRIETARY TO TROMPETER ELECTRONICS INC. AND SHALL NOT BE DISCLOSED, COPIED OR USED FOR PROCUREMENT OR MANUFACTURE WITHOUT EXPRESS WRITTEN PERMISSION.

REVISIONS

| REV | DESCRIPTIONS | DATE | APPROVED |
|-----|--------------------|--------|----------|
| A | PRODUCTION RELEASE | 6/3/04 | WJ |



SCALE 1/1




RED INDICATES ORIGINAL

2. 75 Ω WITHIN SERIES MINI BNC FEED THRU RECEPTACLE

1. FINISH: BODY ASSEMBLY: TFS-1A (NICKEL)
CONTACT: TFS-1B (GOLD)

NOTES: UNLESS OTHERWISE SPECIFIED.

| | | | | | |
|--|----------------|--|---------------|---|-------------|
| INTERPRET DRAWING PER MIL-STD-100. DIMENSIONS ARE IN INCHES AND INCLUDE FINISH THICKNESS UNLESS OTHERWISE SPECIFIED. | | TOL: UNLESS SPECIFIED. .XX ± .02 .XXX ± .010 ANGLE ± 1° | |  a cinch connectivity solutions brand | |
| DRN | AAH 5-24-04 | MATERIAL: | TITLE: UAD258 | | |
| CHR | JS/Mash 6/1/04 | FINISH: | SIZE | CAGE CODE | DRAWING NO. |
| QUALITY | WJ 6/3/04 | | A | 14949 | 1-0619 |
| HANDL | WJ 6/3/04 | DO NOT SCALE DWG | SCALE | DATE | SHEET |
| APPROVED | WJ 6/3/04 | | 3/1 | 6/3/04 | IC |
| PROJ & FILE NO. | 1-0619 | | | | |
| NEXT ASSY | | | | | |