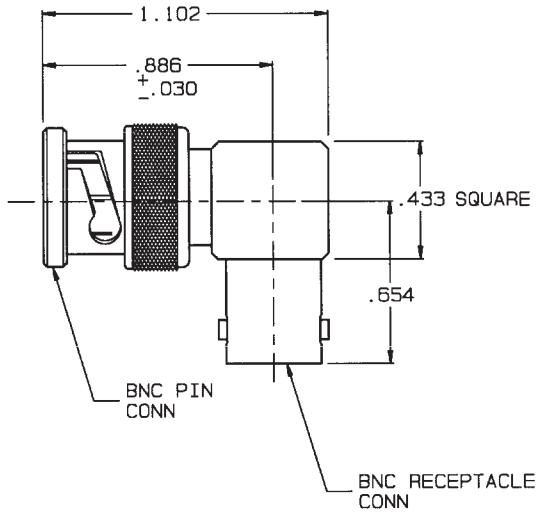
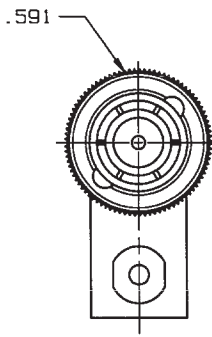


RED IS ORIGINAL

DISK # E18	DWG SIZE B	DATA CONTAINED IN THIS DOCUMENT IS PROPRIETARY TO TROMPETER ELECTRONICS INC. AND SHALL NOT BE DISCLOSED, COPIED OR USED FOR PROCUREMENT OR MANUFACTURE WITHOUT EXPRESS WRITTEN PERMISSION.	REVISIONS			105-1342	SH	
			REV	EO	DESCRIPTION	DWN	APPROVED	DATE
			A	10075	REDESIGN: BODY WAS SOLDERED	DKG	<i>kg, DCA</i>	12/30/92



- 4. EXAMPLE OF COMPLETE MODEL NO:  
UADRNMF20  
75 OHM ADAPTER — BNC TYPE MALE & FEMALE  
RIGHT ANGLE — NON-MILITARY
- 3. MINIATURE 75 OHM BNC TYPE PIN & RECEPTACLE FEED THROUGH ADAPTER
- 2. FINISH: TFS-1A (NICKEL)
- 1. ALL DIM ARE IN INCHES

QTY	DESCRIPTION		PART NUMBER	ITEM			
	TOL UNLESS SPECIFIED .XX ± .XXX ± .005 .XXXX ± ANGLES ±			UADRNMF20			
DWN	DKG	10/22/92			MATERIAL	CODE IDENT	DRAWING NO.
CHK	<i>kg</i>	<i>12/02/92</i>			14949	105-1342	A
ENGR	<i>kg</i>	<i>12/02/92</i>					
APPR	<i>kg</i>	<i>12/02/92</i>					
NEXT ASSY			SCALE 2/1	DATE 12-21-90	SHEET		