

UBBL25

Technical Datasheet



| Technical Specifications | |
|--|---|
| Part No. | UBBL25-FL or UBBL25-C1 UBBL25-FL-TH or UBBL25-C2-TH UBBL-25-C3-TH |
| Voltage Range | 9.0 to 12.6V |
| Average Voltage | 10.8V |
| Capacity | 4.8Ah @ C/5 Rate @ 23°C±2°C |
| Max. Discharge | 3.5A continuous |
| PTC | Rated for 3.8A Hold Current @ 20°C |
| Energy | 51.8Wh |
| Energy Density | 184Wh/kg, 432Wh/l |
| Weight | ~295g |
| Cycle Life | > 300 cycles @ C/5 to 80% of initial capacity |
| Memory | No Memory Effect |
| Operating Temperature | -20°C to 60°C |
| Storage Temperature | -20°C to 50°C |
| Self-Discharge | < 10% per month |
| Exterior/Housing | PVC Shrink Wrap |
| Terminals/Connector | FL: 22 AWG wire leads Red (+), Black (-) C1: JST Connector VHR-2N C2: Molex Connector 22-01-3037 C3: Molex Connector 22-01-3037 Alternate Pin-out |
| Safety | Material Safety Datasheet - MSDS041 Safety Guide UBI-5112 |
| Transportation | Exempted from regulations for packages with gross mass of 10kg or less (see note) |
| Protection Circuit Module and Fuses | Over Voltage Limit: 4.35±0.025V (per cell) Under Voltage Limit: 2.30±0.1V (per cell) Over Discharge Current Limit: 3.5 - 4.6A |
| Charging | Recommended charge rate is 932mA to 12.6V in a temperature range of 0°C to 45°C. Hold at 12.6V until current declines to 100mA. Maximum charge rate is 3.2A @ 23°C±2°C. |
| Note | A complete description of transportation regulations, lithium weights and transportation classifications is available on the Ultralife website. |

Features

- Off-the-shelf convenience
- Wire or connector terminals
- Full circuit protection
- Thermistor wire option
- Meets all UN transportation testing
- Long cycle life
- High energy density
- Wide operating temperature range
- Lightweight
- No memory effect

Applications

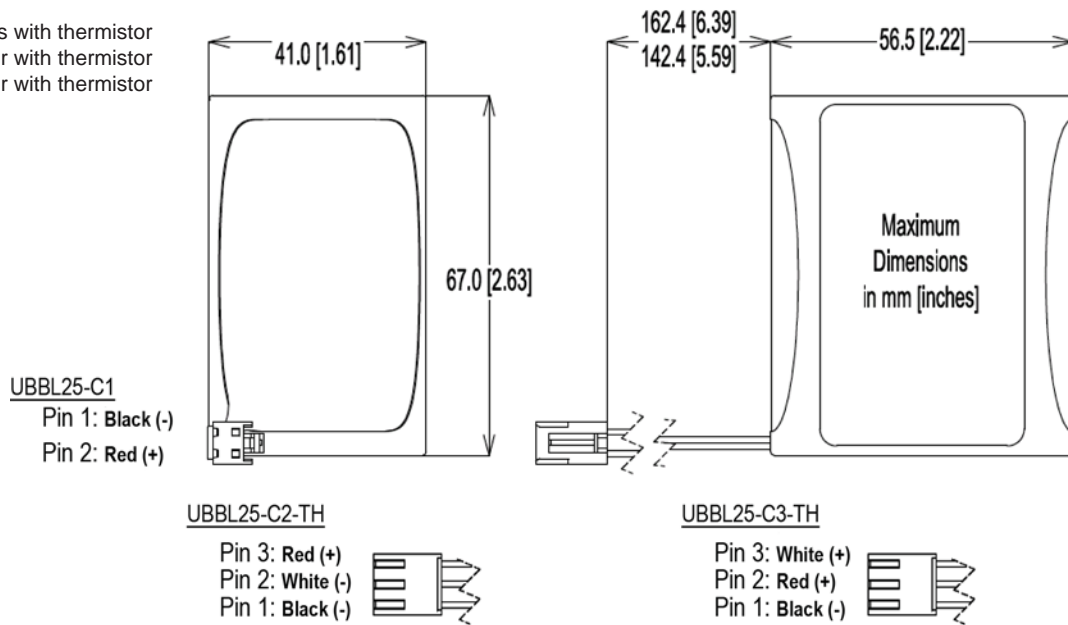
- Portable electronics
- Hand-held devices
- Medical equipment
- Back-up power

Accessories Optional

- UCH0038-S: Wall Wart charger (U.S.)
- UCH0038-I: Wall Wart charger (International)
- UCA0102-01: Interface cable for UBBL25-FL
- UCA0102-02: Interface cable for UBBL25-C1

Dimensions

- UBBL25-FL: wire leads
- UBBL25-C1: connector
- UBBL25-FL-TH: wire leads with thermistor
- UBBL25-C2-TH: connector with thermistor
- UBBL25-C3-TH: connector with thermistor



Performance Graphs

