

# UbiQ-231

## One-Touch Scenario Control Panel with 4.3" Color LCD



### Features

- 4.3" TFT LCD with touchscreen
- RISC base platform with fanless design
- Ideal for access and scenario control
- High performance with TI ARM Cortex-A8 OMAP-3503
- Flat touch panel design
- Supports horizontal or vertical display
- Built-in speaker, IR receiver
- Ethernet x 1, RS-485 x 1, USB x 2
- Microsoft Windows® CE 6.0
- Advantech SUSI API manager is supported for easy SI development
- Various faceplates by project
- PoE Power (Power over Ethernet) / Zigbee (802.15.4) by project

### Introduction

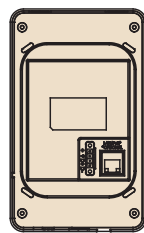
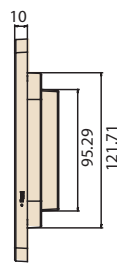
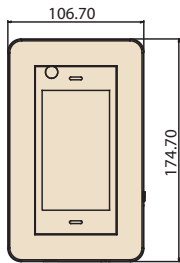
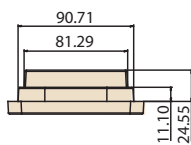
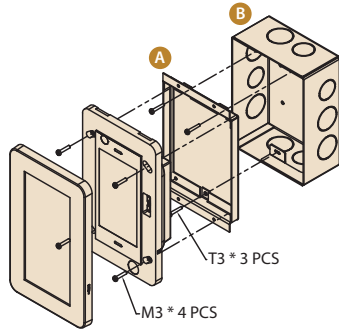
UbiQ-231 comes with a 4.3" flat touch panel design scenario control panel. The 4.3" true color TFT LCD allows the interaction with UbiQ-231 to be more natural and colorful. UbiQ-231 features a powerful, built-in TI ARM Cortex-A8 OMAP-3503 CPU, Microsoft Windows® CE 6.0, an IR receiver, and RS-485, LAN and USB ports for versatile connectivity and more optional functions. The IR receiver and Zigbee give the UbiQ-231 more remote control capability. Furthermore, its elegant appearance with slim faceplate extends only 10 mm from the wall, making UbiQ-231 more suitable for home environments.

### Specifications

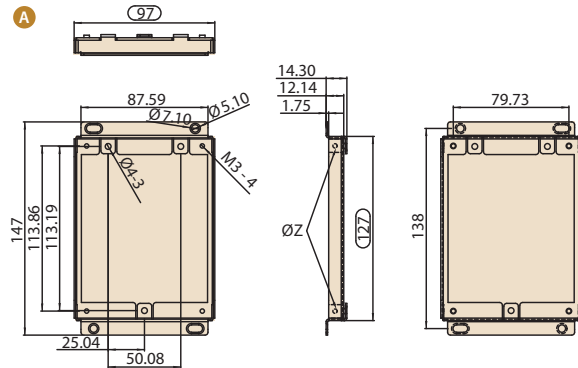
Model Name	UbiQ-231	
Processor	TI OMAP 3503 600 MHz	
Memory	Module Type	Size
OS Support	Windows CE 6.0	
Display	Size/Type	4.3" TFT color LCD
	Max. Resolution	480 x 272
	Brightness (cd/m <sup>2</sup> )	500 cd/m <sup>2</sup>
	Viewing Angle	130/105
	Brightness Control	PWM
VGA	Chipset	CPU built-in
Storage / Type	iNAND 2GB flash on board, SD Slot (optional, up to 32GB)	
I/O Port	Rear I/O	RS-485 x 1
	Front I/O	USB 2.0 Host x 1 / Client x 1 (Below Cover)
Mechanical	Mounting type	In-Wall / Wall Mounting
	Dimension	106.7 x 174.7 x 34.6 mm (W x H x D)
Camera	-	
Hot Key	Touch Button x 2	
LED	Red / Green	
RF wireless	IR receiver x 1	
Network (LAN)	10/100 Base-T Ethernet (RJ-45) x 1	
Audio	Chipset	-
	Speaker/ Mic	Speaker x 1 output
	Output Rating	10 ~ 24 V <sub>DC</sub> , 2 A
Power	Input Voltage	100 ~ 240 V <sub>AC</sub>
	Battery	-
	Technology	Resistive (controller)
Touchscreen	Touch Life Cycle	10 million touches
	Operating	0 ~ 40° C
Temperature	Storage	-20° C ~ 60° C
	Certifications	CE/FCC Class B, CCC, BSMI, UL

## System Dimensions

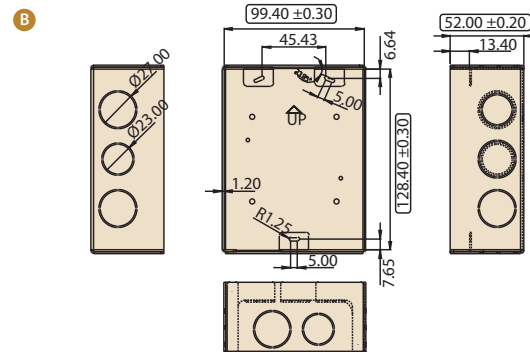
Unit: mm



UbiQ-231

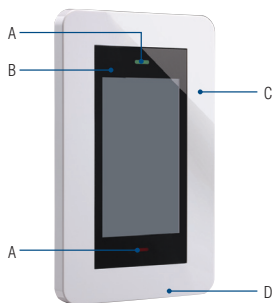


UbiQ-231 Bracket



UbiQ-231 Wall-Box

## I/O Placement



- A. Function Key
- B. IR receiver
- C. USB x 2
- D. Speaker



- E. Reset Key
- F. RS-485
- G. LAN Ports / PoE x 1 (Optional)

## Optional List

Description	Quantity
Bracket	1
Wall-Box	1
Adapter	1
PoE Module (By Project)	1
ZigBee Module (By Project)	1

## Ordering Information

Part Number	Description
UbiQ-231-ENW0LE	English OS, White
UbiQ-231-ENWCLE	English OS with Adapter, Bracket and IR
UbiQ-231-BRACKETE	Bracket for UbiQ-231
UbiQ-231-WALLBOXE	Wall-Box for UbiQ-231

## Packing List

Description	Quantity
UbiQ-231 Unit	1
WinCE License Sticker	1
Phoenix Connector	1
Screw	8