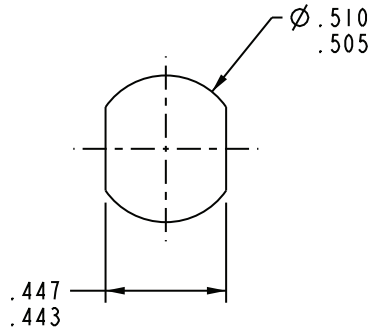
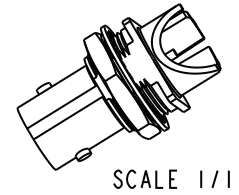
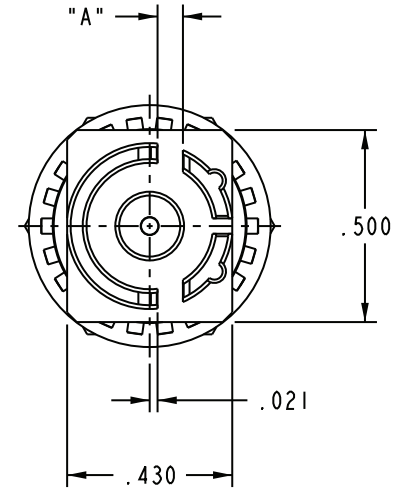
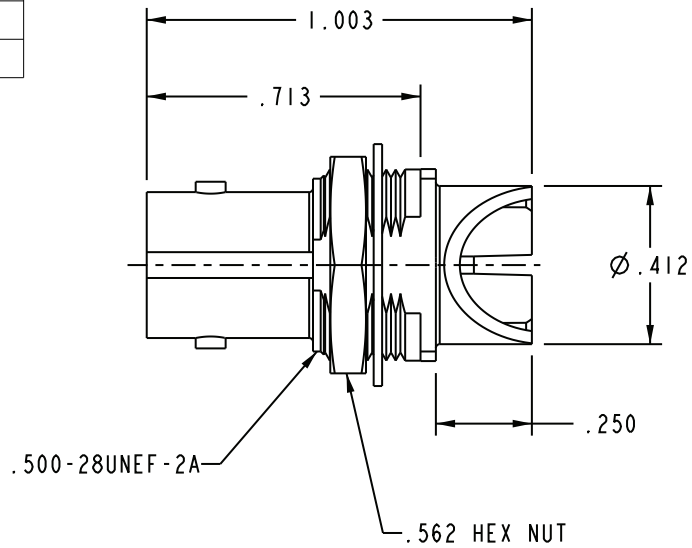


PART NUMBER	"A" BOARD THICKNESS
UCBBJE20-1	.060-.064
UCBBJE20-2	.028-.033
UCBBJE20-3	.084
UCBBJE20-4	.120

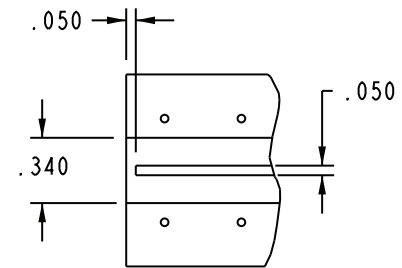
REV	ECO	DATE
G	ECO #56746	01JUN2017

- 1 SHOWN



RECOMMENDED
PANEL CUT-OUT

SCALE 2/1



RECOMMENDED
PCB LAYOUT

SCALE 1/1

3. MAXIMUM PANEL THICKNESS .179
2. FINISH: BODY: TFS-1B (GOLD, 2G)
CONTACT: TFS-1B (GOLD, 5G)
HARDWARE: TFS-1A (NICKEL)
1. 75Ω CIRCUIT BOARD BULKHEAD EDGE MOUNT
"BNC" STYLE RECEPTACLE

NOTES: UNLESS OTHERWISE SPECIFIED.

<p>This PROPRIETARY Document is property of Cinch Connectivity Solutions. It is confidential in nature, non-transferable, and issued with the clear understanding that it is not traced or copied without permission and is returnable upon demand.</p> <p>INTERPRET DRAWING IN ACCORDANCE WITH ASME Y14.5-2009.</p>	Model No:	1-0583	TROMPETER	
	RoHS (EU)/2015/863 COMPLIANT	Cage Code	UCBBJE20	
	UNLESS OTHERWISE SPECIFIED UNITS: INCH	3RD ANGLE PROJECTION	Drawing No.	REV.
	.X ± . .XX ± .02 .XXX ± .010 ANGLE ± °	Drawn by: C. MONAHAN	1-0583	G
	Date:	06/01/2017	Size A	DO NOT SCALE DRAWING
			Workmanship Std: NONE	Sheet 1 OF 1