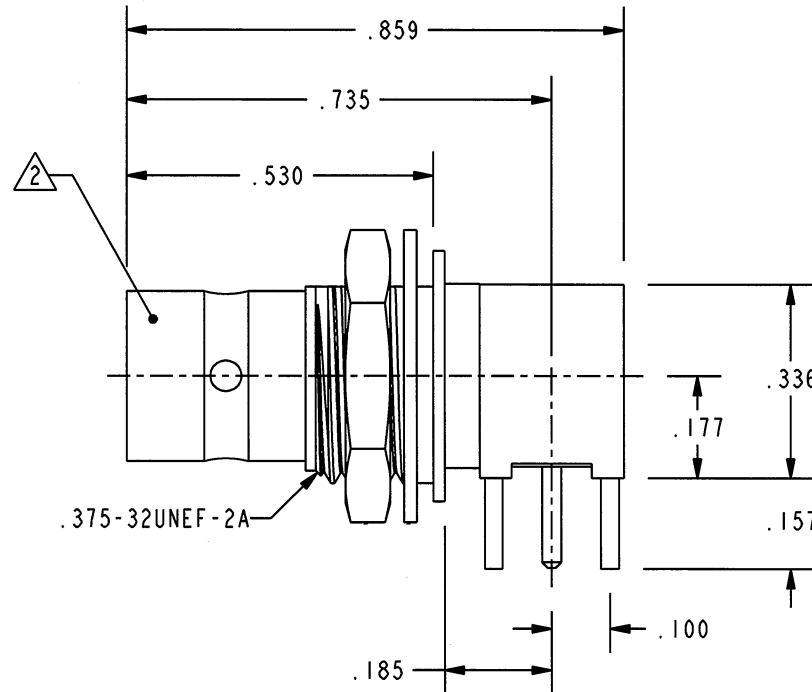
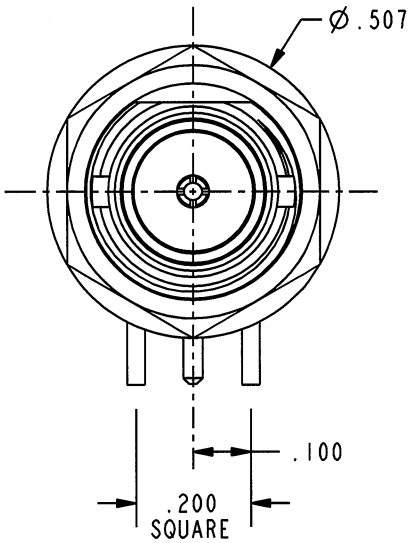


TABLE I

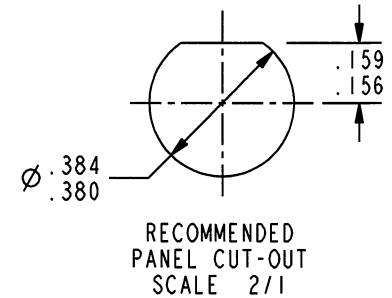
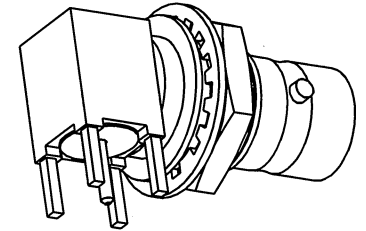
DASH NO	FINISH
-N	TFS-1A (NICKEL)
-G	TFS-1B (GOLD, .000010 THICK)

DATA CONTAINED IN THIS DOCUMENT IS PROPRIETARY TO TROMPETER ELECTRONICS INC. AND SHALL NOT BE DISCLOSED, COPIED OR USED FOR PROCUREMENT OR MANUFACTURE WITHOUT EXPRESS WRITTEN PERMISSION.

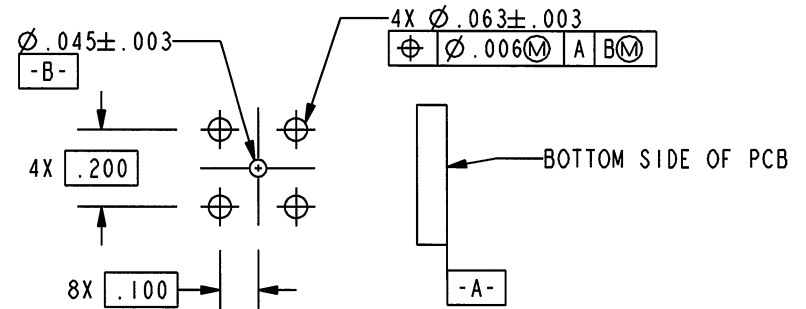
REVISIONS			
REV	DESCRIPTIONS	DATE	APPROVED
F	REVISED PER ECO 16809	1/21/09	MMBxc



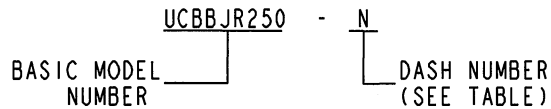
SCALE 2/1



RECOMMENDED MOUNTING HOLE PATTERN SCALE 2/1



5. EXAMPLE OF COMPLETE MODEL NUMBER:



4. ALL PACKAGING MUST BE MARKED WITH "Pat. 7,455,542"

3. MAXIMUM PANEL THICKNESS .125

2 SEE TABLE I FOR FINISH (FRONT BODY)

1. 75Ω FOUR POST RIGHT-ANGLE BULKHEAD CIRCUIT BOARD MOUNT MINI BNC RECEPTACLE

NOTES: UNLESS OTHERWISE SPECIFIED.

INTERPRET DRAWING PER MIL-STD-100. DIMENSIONS ARE IN INCHES AND INCLUDE FINISH THICKNESS UNLESS OTHERWISE SPECIFIED.

TOL: UNLESS SPECIFIED.  
 .XX ± .02  
 .XXX ± .010  
 ANGLE ± 1°



DRN N JOHNSON	12-2-08	MATERIAL:	TITLE:
CHK EPL	1-16-09	FINISH:	UCBBJR250
QUALITY			
MANUF			
APPROVED AM	1-16-09		
PROTE FILE NO. 1-0601		DO NOT SCALE DWG	

SIZE A	CAGE CODE 14949	DRAWING NO. 1-0601	REV. F
SCALE 3/1	DATE 6-6-01	SHEET 1C	

NEXT ASSY