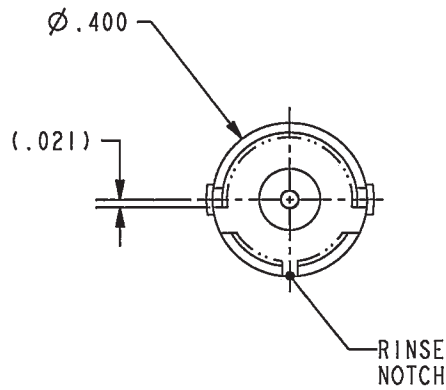
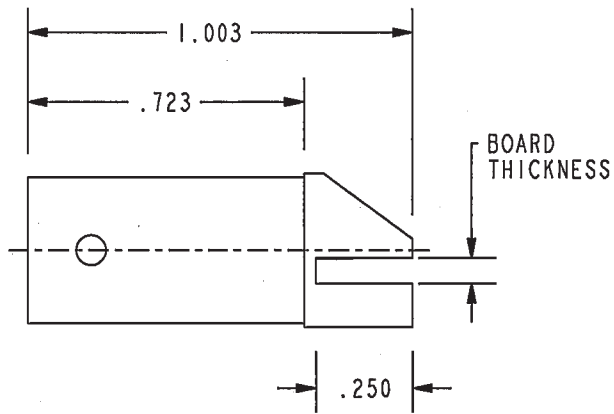
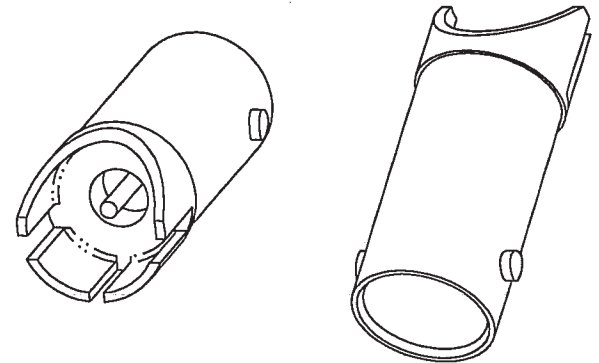


DASH NO	BOARD THICKNESS
-1	.060-.064
-2	.028-.033

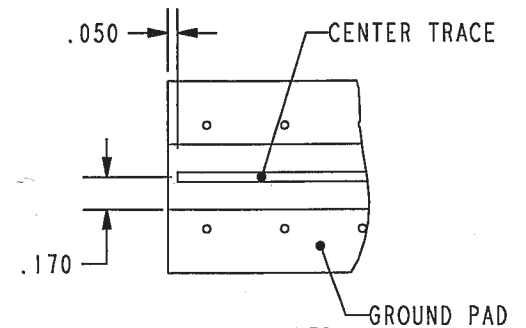
DATA CONTAINED IN THIS DOCUMENT IS PROPRIETARY TO TROMPETER ELECTRONICS INC. AND SHALL NOT BE DISCLOSED, COPIED OR USED FOR PROCUREMENT OR MANUFACTURE WITHOUT EXPRESS WRITTEN PERMISSION.

REVISIONS			
REV	DESCRIPTIONS	DATE	APPROVED
E	REVISED PER ECO 15761	2-3-05	WJ

RED INDICATES ORIGINAL



SCALE 2/1



RECOMMENDED
PCB LAYOUT
SCALE 1/1


3. EXAMPLE OF COMPLETE MODEL NO.



2. FINISH: BODY: TFS-1B (GOLD, 1G)
CONTACT: TFS-1B (GOLD, 5G)

1. 75Ω CIRCUIT BOARD EDGE MOUNT
"BNC" STYLE RECEPTACLE

NOTES: UNLESS OTHERWISE SPECIFIED.

INTERPRET DRAWING PER MIL-STD-100. DIMENSIONS ARE IN INCHES AND INCLUDE FINISH THICKNESS UNLESS OTHERWISE SPECIFIED.		TOL: UNLESS SPECIFIED. .XX ± .02 .XXX ± .010 ANGLE ± 1°		 a cinch connectivity solutions brand	
DRW	AAH	2-1-05	MATERIAL:		
CHK	T.K.H.	2-1-05	FINISH:	UCBJE20	REV. E
QUALITY	M.S.	2/2/05			
WARR	BP	2/2/05	SEE NOTE 2	SIZE	CAGE CODE
APPROVED	WJ	2/1/05	DO NOT SCALE DWG	A	14949
PROJ	ECO NO.	1-0582		SCALE	2/1
NEXT ASSY					1-0582
					DATE
					3-21-02
					SHEET
					1C