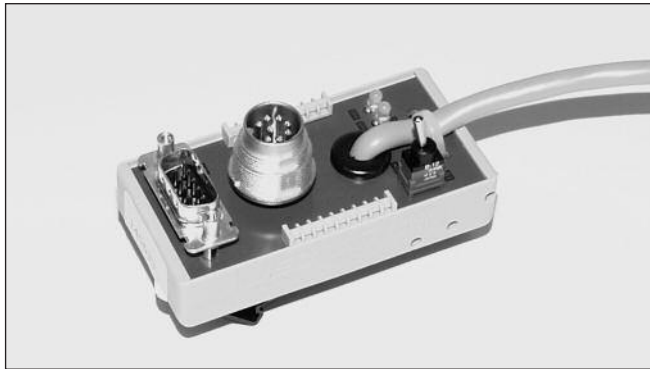


Ultrasonic Programming Adapter Type UC P1



- Interfaces programmable ultrasonic sensors to laptop (RS 232)
- Surveillance of set points
- To be inserted between sensor and installation cable
- Supplied by installation
- LED indication of switching outputs
- Hold mode
- For DIN-rail mounting

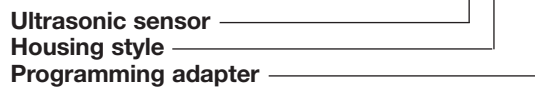
Product Description

Programming adapter for the ultrasonic programmable family. The adapter enables an easy access to the RS232 interface of an installed sensor. The adapter has to be

connected between the sensor and the sensor connection. A subMiniD9 connector enables the sensor to be programmed by the PC.

Ordering Key

UC P1



Type Selection

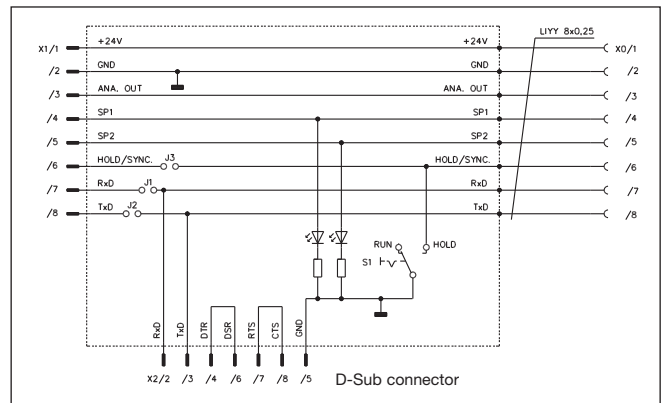
Housing dimensions	Connection
38.5 x 80.5 mm	D-Sub, 9-poles and sensor plug, 8 pin
38.5 x 80.5 mm	D-Sub, 9-poles and sensor plug, 8 pin

Ordering no.	
UCP1	
UCP2	Sub-D cable included

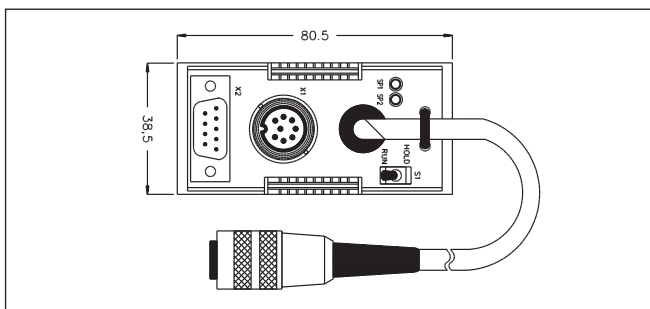
Specifications

Rated operational volt. (U _e)	24 VDC Supplied from installation
Indication Status of set points	2 LED's
Hold mode	Switch selectable
Ambient temperature Operating Storage	0° to +50°C (32° to +122°F) 0° to +70°C (32° to +158°F)
Housing material	Plastic
Housing dimensions	38.5 x 80.5 mm
Connection	9-pole D-Sub (RS232) and 8-pole sensor plug

Wiring Diagram



Dimensions



Accessories

USB serial converter: RS-232-USB-CON