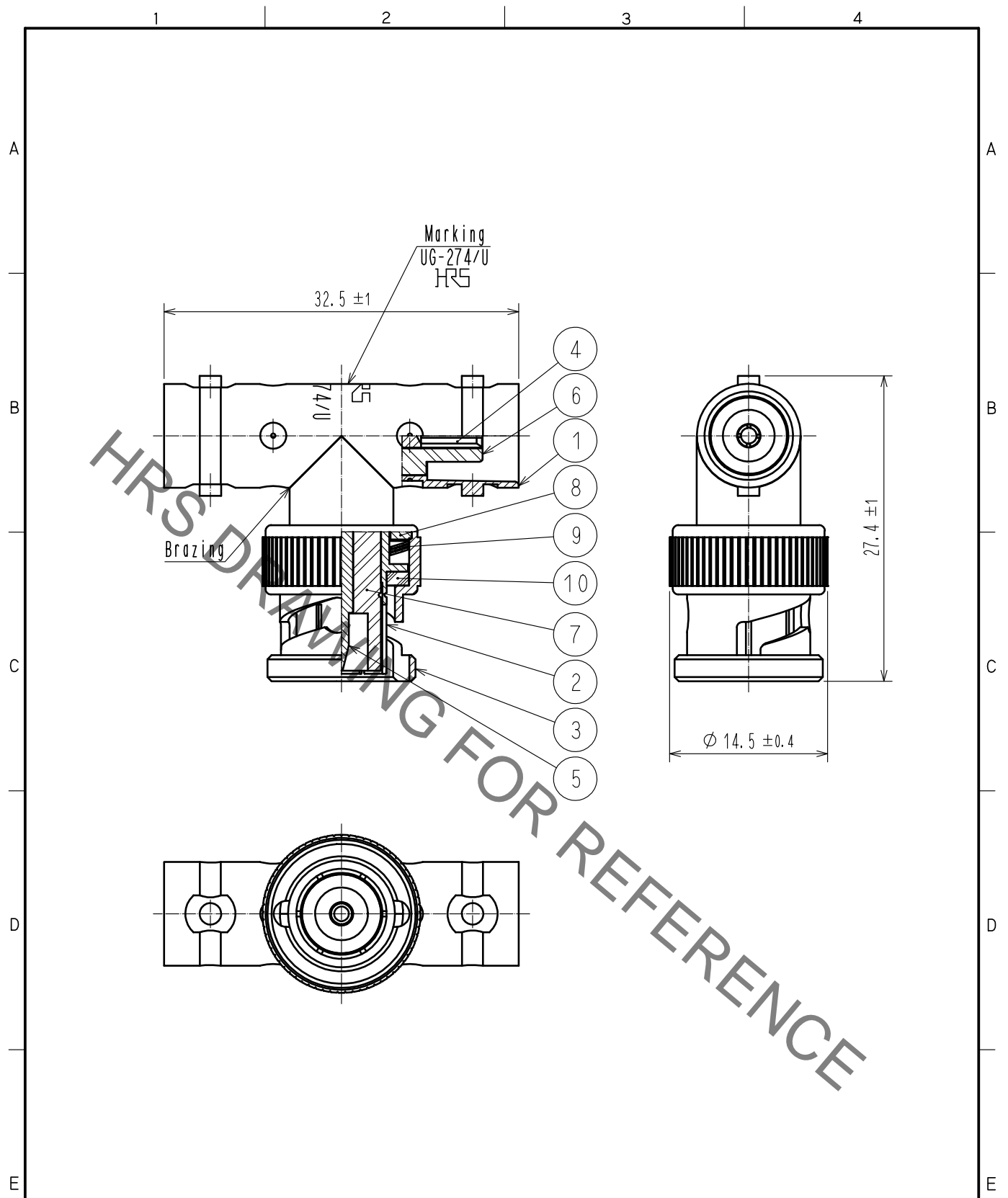


Apr.1.2022 Copyright 2022 HIROSE ELECTRIC CO., LTD. All Rights Reserved.
 In case of consideration for using Automotive equipment / device which demand high reliability, kindly contact our sales window correspondents.



5	BRASS	GOLD PLATING	10	SILICONE RUBBER			
4	BERYLLIUM COPPER	GOLD PLATING	9	BERYLLIUM COPPER	SILVER PLATING		
3	BRASS	NICKEL PLATING	8	BRASS	NICKEL PLATING		
2	BRASS	NICKEL PLATING	7	PTFE			
1	BRASS	NICKEL PLATING	6	PTFE			
NO.	MATERIAL	FINISH . REMARKS	NO.	MATERIAL	FINISH . REMARKS		
UNITS mm		SCALE 2 : 1	COUNT 	DESCRIPTION OF REVISIONS	DESIGNED	CHECKED	DATE
HIROSE ELECTRIC CO., LTD.		APPROVED : NK. NINOMIYA	20211012	DRAWING NO.	EDC-000481-45-00		
		CHECKED : NK. NINOMIYA	20211012	PART NO.	UG-274/U(45)		
		DESIGNED : MT. KANEKO	20211012	CODE NO.	CL0302-0025-9-45		
		DRAWN : NK. OOSHIMA	20211012		1/1		