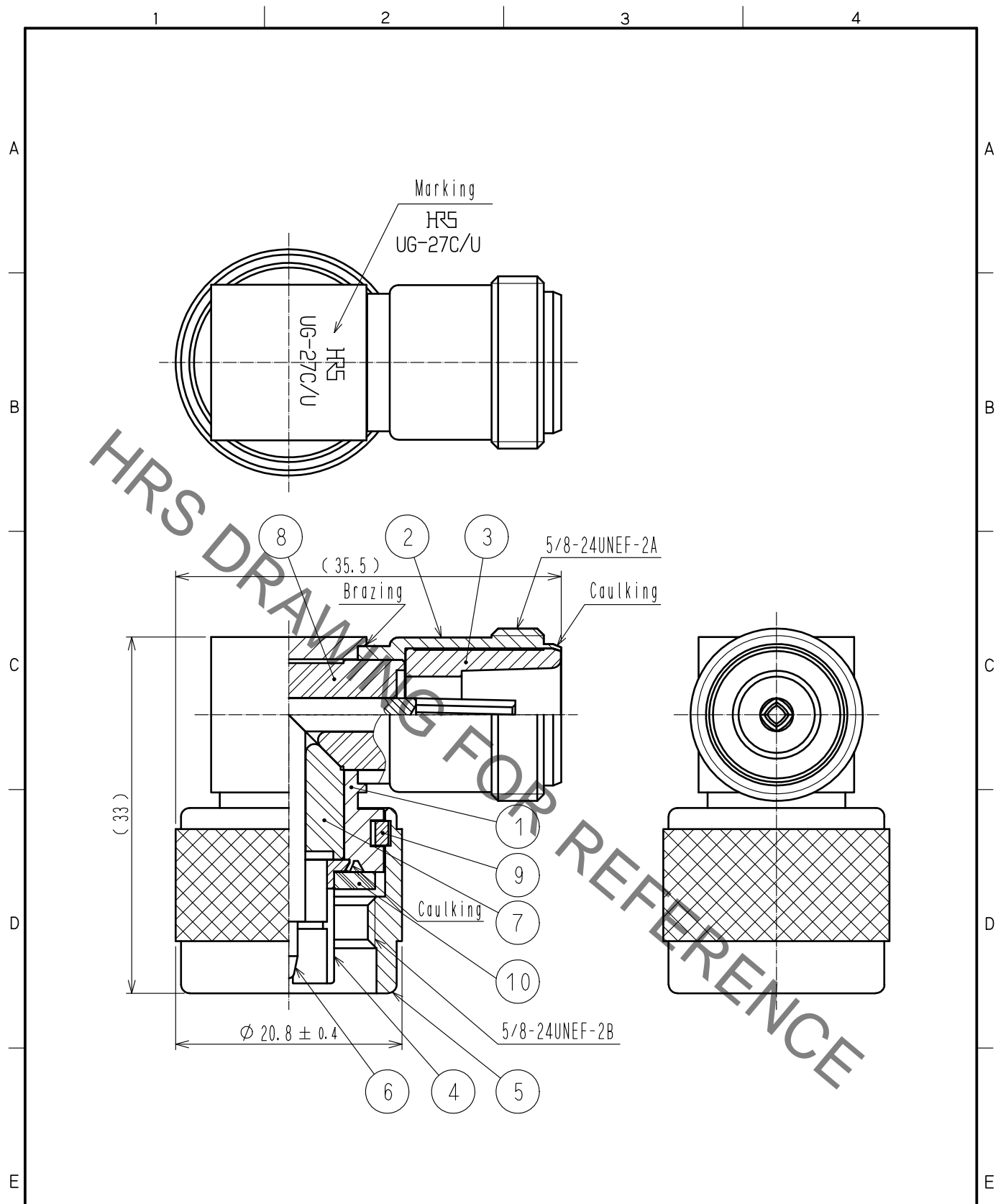


Apr.1.2022 Copyright 2022 HIROSE ELECTRIC CO., LTD. All Rights Reserved.
 In case of consideration for using Automotive equipment / device which demand high reliability, kindly contact our sales window correspondents.



5	BRASS	SILVER PLATING	10	SILICONE RUBBER			
4	PHOSPHOR BRONZE	SILVER PLATING	9	PHOSPHOR BRONZE	SILVER PLATING		
3	BRASS	SILVER PLATING	8	PTFE			
2	BRASS	SILVER PLATING	7	PTFE			
1	BRASS	SILVER PLATING	6	BERYLLIUM COPPER	SILVER PLATING		
NO.	MATERIAL	FINISH . REMARKS	NO.	MATERIAL	FINISH . REMARKS		
UNITS mm		SCALE 2 : 1	COUNT 	DESCRIPTION OF REVISIONS	DESIGNED	CHECKED	DATE
HIROSE ELECTRIC CO., LTD.		APPROVED : NK. NINOMIYA	20210928	DRAWING NO.	EDC-000316-40-00		
		CHECKED : NK. NINOMIYA	20210928	PART NO.	UG-27C/U(40)		
		DESIGNED : MT. KANEKO	20210928	CODE NO.	CL0301-0015-9-40		
		DRAWN : YK. MITSUISHI	20210928		1/1		