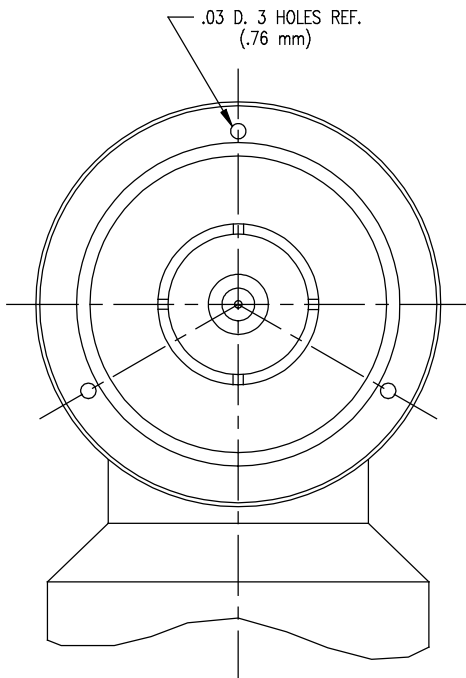


STAMP: 91836 UG-594B/U  
YRWK (DATE CODE)

- NOTES:
- FOR USE WITH 8, 9, 213 & 214/U CABLE.
  - FOR CABLING INSTRUCTIONS SEE CP-1022.
  - INTERFACE PER MIL-STD-348, FIG. 304-1.
  - MATERIALS:  
INSULATORS: TEFLON, ASTM-D-4894  
GASKETS: SILICONE RUBBER, ZZ-R-765  
ANGLE CONTACT F-M: BER. COP., ASTM-B-196  
OUTER CONTACT: PHOS. BRONZE, ASTM-B-103  
C-RING: PHOS. BRONZE, ASTM-B-103  
ALL OTHER PARTS: BRASS, ASTM-B16
  - FINISHES:  
ALL METAL PARTS: SILVER PLATE PER QQ-S-365
  - ELECTRICAL CHARACTERISTICS:  
NOMINAL IMPEDANCE: 50 OHMS  
VOLTAGE RATING: 1000 VRMS  
FREQUENCY RANGE: DC TO 11GHz



SD

SD

UG-594B/U

REVISIONS	
ISSUE	CHANGES
1	CN 6733 A VS 10/29/68
2	CN 13578 A JL 07/11/74
3	CN 17440 C JHP 06/15/77
4	CN 26561 D EAJ 11/16/84
5	CN 37914 E REDRAWN TML 10/11/99

SCALE 4:1	
APPROX SURFACE AREA	
KN-57-07	
USED ON	
REF:	
DRAWN SD DATE 10/16/85	
DESIGN DATE	
APPR. MJB	DATE 10/21/85

PLUG, ANGLE, N

**KINGS**  
ELECTRONICS CO., INC.  
ROCK HILL, SOUTH CAROLINA 29730

UG-594B/U