

UNO-220

Industrial Raspberry Pi 4 HAT Gateway Kit

NEW



Features

- Industrial-grade gateway kit provides RPi-ready solutions for rapid prototyping
- Protect your Raspberry Pi device from dust and temperature extremes
- Designed for Raspberry Pi single-board computers - develop unique IoT applications
- UNO-220 industrial-grade chassis transforms RPi 4 into a ruggedized gateway for shopfloor environments
- Industrial I/O board for RS-232/485 and GPIO extension
- Build IoT applications with the UNO-220 industrial kit for Raspberry Pi 4
- Provide optimum protection and 2-years warranty
- Amazon AWS IoT Greengrass certified

Introduction

UNO-220 is designed for customers using Raspberry Pi (RPi) single-board computers (SBCs) in unique IoT applications. Featuring a system-image OS equipped micro SD card, an RPi 4 HAT I/O board, additional RS-232/485 GPIOs, and an RTC battery backup for precise time keeping; the UNO-220 industrial-grade chassis transforms RPi 4 into an intelligent gateway. UNO-220 features pre-finished mounting holes and attachment screws enabling plug-and-play assembly with separately purchased RPi 4 SBCs. This system provides developers with a complete RPi-ready industrial-grade gateway kit ideal for rapid prototyping and mass deployment.

Specifications

General

- **Certification** CE, FCC
- **Dimensions (W x D x H)** 100 x 70 x 32 mm (3.9 x 2.7 x 1.2 in)
- **Form Factor** Micro
- **Enclosure** Aluminum housing
- **Mount Options** Wall mount, DIN rail (optional)
- **Weight (Net)** 0.5 kg (1.10 lbs)
- **Power Consumption** 15 W (typical)
- **OS Support** AdvRaspbian

System Hardware

- **Hardware Security** TPM 2.0 (available upon request)
- **Storage** 1 x Micro SD slot (dummy) (internal 8 GB SD card interchangeable with Raspberry Pi 4)

I/O Interfaces

- **Serial Ports** 1 x RS232/485 (5-pin terminal block), automatic direction control, 300 ~ 115.2k bps
- **GPIO**

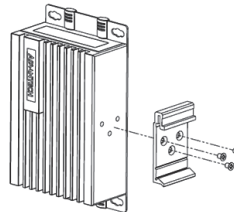
GPI 0-3: V I H :	2	~	5 V
V I L :	0	~	0 . 8 V
GPO 0-3:	0 ~ 5V		

Environment

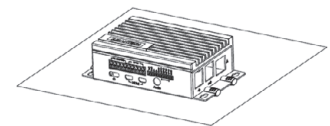
- **Operating Temperature** 0 ~ 50 °C (32 ~ 122 °F) @ 5 ~ 85% RH without 0.7m/s airflow
- **Storage Temperature** 20 ~ 60 °C (-4 ~ 140 °F)
- **Relative Humidity** 10 ~ 95% RH @ 40 °C, non-condensing
- **Ingress Protection** IP40

Installation Scenario

DIN-Rail Mount Illustration



Stand Mount Illustration



Ordering Information

- **UNO-220-P4N1AE** Industrial Raspberry Pi gateway kit with 1 x RS-232/485, 4 x GPIO, 8 GB SD card, and Raspbian OS
- **UNO-220-P4N2AE** Industrial Raspberry Pi 4 Gateway Kit with POE function, TPM, 1 x RS-232/485, 8 x GPIO, 8 GB SD Card, and AdvRaspbian OS

Optional Accessories

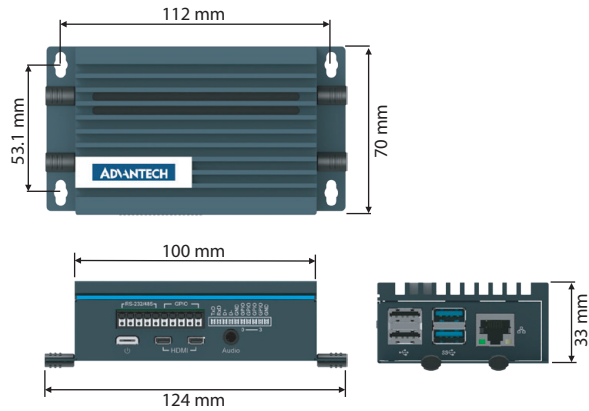
- **UNO-200-DMKAE** Optional DIN-rail kit

Adapter and power cord

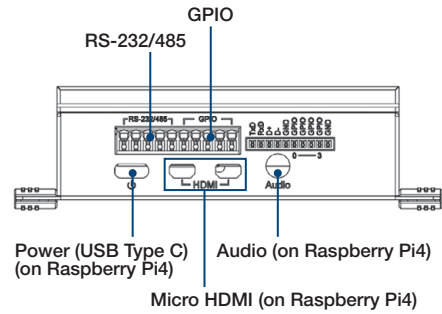
- **XUNO-FSP015-DPAN3** 15W 5V USB-Type C connector
- **1702002600** Power cable, US plug, 1.8 m (industrial grade)
- **1702002605** Power cable, EU plug, 1.8 m (industrial grade)
- **1702031801** Power cable, UK plug, 1.8 m (industrial grade)
- **1700000596** Power cable, China/Australia plug, 1.8 m (industrial grade)

Dimensions

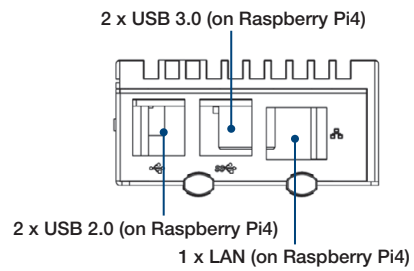
Unit: mm



Front I/O View



Side I/O View



Raspberry Pi4 Installation Guide

