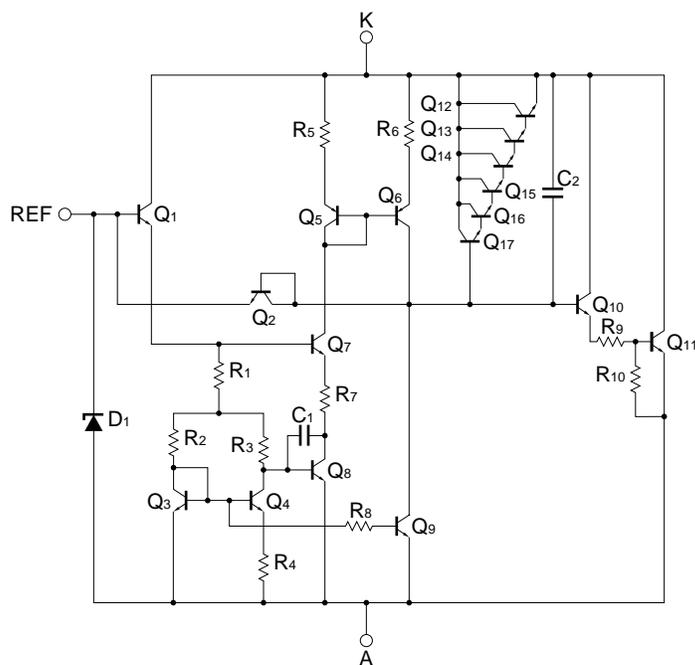


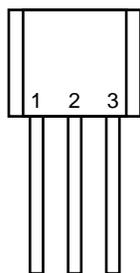
EQUIVALENT CIRCUIT



PIN CONFIGURATION (Marking Side)

3-pin plastic SIP (TO-92)

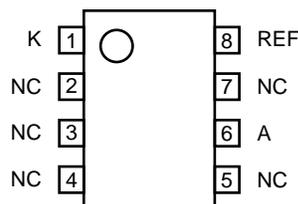
- μPC1093J



1 : REF
2 : A
3 : K

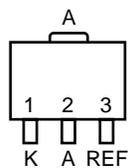
8-pin plastic SOP (225 mil)

- μPC1093G



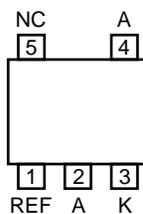
★ Power mini mold (SOT-89)

- μPC1093T



★ 5-pin plastic mini mold (SC-74A)

- μPC1093TA



REF : Reference
A : Anode
K : Cathode
NC : No Connection

