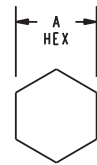
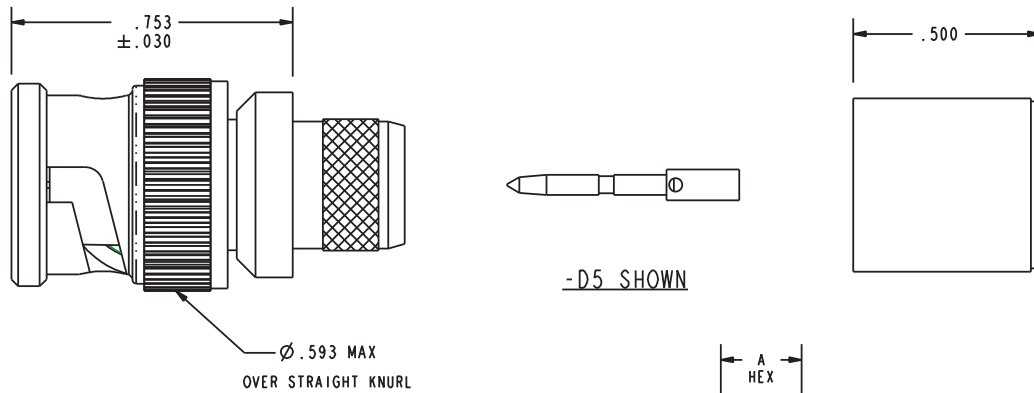
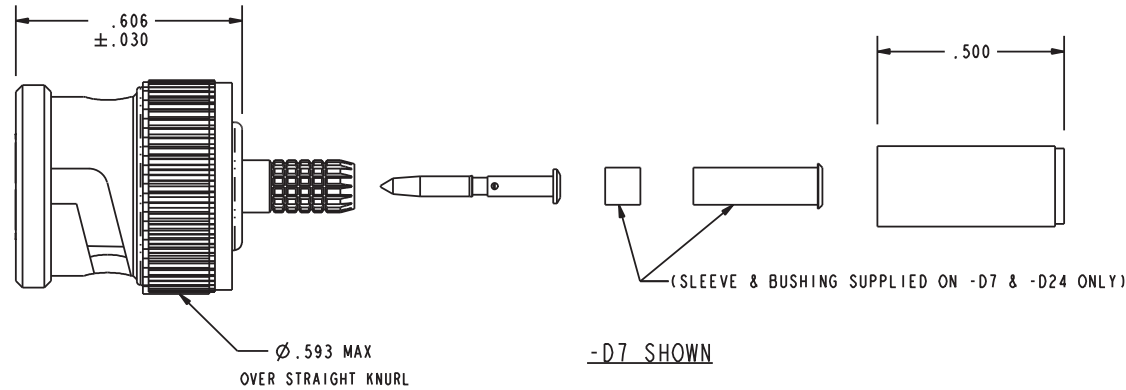


DATA CONTAINED IN THIS DOCUMENT IS PROPRIETARY TO CINCH CONNECTIVITY SOLUTIONS AND SHALL NOT BE DISCLOSED, COPIED OR USED FOR REPRODUCTION OR MANUFACTURE WITHOUT EXPRESS WRITTEN PERMISSION

REVISIONS			
REV	DESCRIPTIONS	DATE	APPROVED
S	ECO 53205	5/17/11	Tko

DASH NO	CABLE ACCOMMODATED	A HEX	ASSEMBLE PER
-D1	COMM/SCOPE 7538	.178	TAI-247
-D2	BELDEN 1505A GEPKO VPM2000	.255	
-D3	RG-59		
-D4	BELDEN 1694A GEPKO VSD2001	.290	
-D5	BELDEN 7731A COMM/SCOPE 5906	.403	
-D6	BELDEN 1695A	.290	
-D7	BELDEN 9221 RG-179	.178	
-D8	BELDEN 1506A GEPKO VPM2000TK	.255	
-D9	BELDEN 9209		
-D10	BELDEN 8281	.324	
-D11	WESTPENN 25815	.255	
-D12	NOKIA 0.6/2.8	.213	
-D13	COMM/SCOPE 7530	.344	
-D14	BELDEN 8279 GEPKO VPM618 CANARE L-3CFB	.255	
-D15	COMM/SCOPE F59	.290	
-D16	BELDEN 7732A COMM/SCOPE 2285	.403	
-D17	NK NETWORKS 0.6/3.7	.290	
-D18	COMM/SCOPE S59 HEC		
-D19	BELDEN 1855A	.213	
-D20	BELDEN 1505F	.255	
-D21	VDM230	.213	
-D23	M17/2 (RG 6)	.344	
-D24	BELDEN 179DT	.178	
-D25	BELDEN 1694F	.324	




3. EXAMPLE OF A COMPLETE MODEL NO:

UPL2000 - D1
BASIC P/N DASH NO.
PER TABLE

2. RF COAXIAL 75Ω BNC FULL CRIMP CABLE PLUG FOR DIGITAL APPLICATION

1. FINISH: BODY: TFS-1A (NICKEL)
OUTER CONTACT: TFS-1Z (GOLD FLASH Pd Ni)
PIN: TFS-1B (GOLD)
BAYONET SLEEVE: BLACK ELECTROLESS NICKEL

NOTES: UNLESS OTHERWISE SPECIFIED.

INTERPRET DRAWING PER MIL-STD-100. DIMENSIONS ARE IN INCHES AND INCLUDE FINISH THICKNESS UNLESS OTHERWISE SPECIFIED.		TOL: UNLESS SPECIFIED: .1X ± .02 .1XX ± .010 .XXX ± 1° 00' CRITICAL		 Cinch Connectivity Solutions 299 Johnson Ave. Ste. 100 Waseca, MN 56093 1-800-247-8256																								
<table border="1"> <tr><td>DRN</td><td>BPK</td><td>5/17/11</td></tr> <tr><td>CHK</td><td>Tko</td><td>5/19/11</td></tr> <tr><td>QALITY</td><td></td><td></td></tr> <tr><td>MAINT</td><td></td><td></td></tr> <tr><td>APPROVED</td><td></td><td></td></tr> <tr><td>SURFACE AREA</td><td></td><td></td></tr> </table>		DRN	BPK		5/17/11	CHK	Tko	5/19/11	QALITY			MAINT			APPROVED			SURFACE AREA			<table border="1"> <tr><td>MATERIAL:</td><td></td></tr> <tr><td>FINISH:</td><td></td></tr> <tr><td>DO NOT SCALE DWG</td><td></td></tr> </table>		MATERIAL:		FINISH:		DO NOT SCALE DWG	
DRN	BPK	5/17/11																										
CHK	Tko	5/19/11																										
QALITY																												
MAINT																												
APPROVED																												
SURFACE AREA																												
MATERIAL:																												
FINISH:																												
DO NOT SCALE DWG																												
SIZE [CAGE CODE] DRAWING NO. REV. B [14949] 1-0569 S		SCALE 2/1 DATE 4/23/01 SHEET 1 OF 2																										