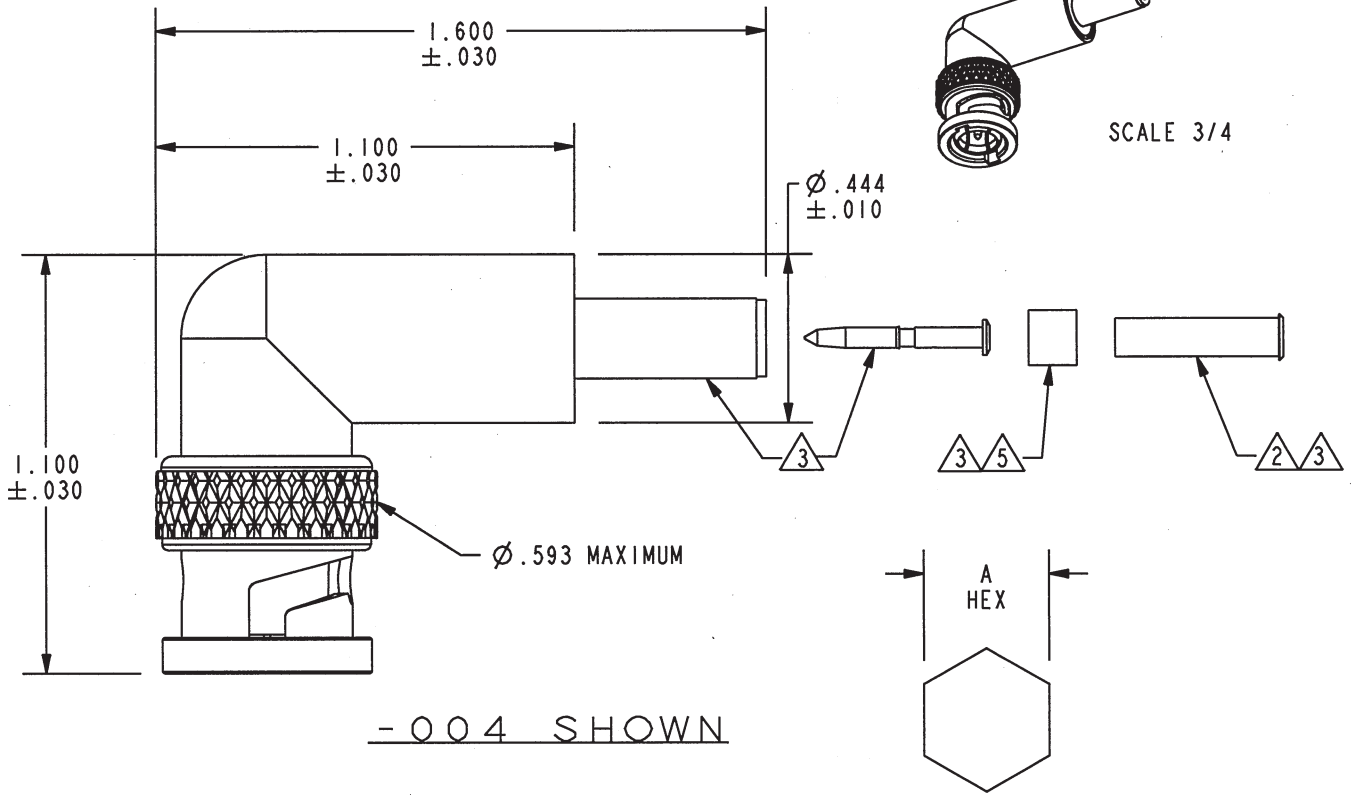


| DASH NO | CABLES ACCOMODATED | A HEX | ASSEMBLE PER | |
|---------|--|-------|--------------|----------|
| -003 | RG-174, 316 | .178 | TAI-221 | |
| -004 | RG-179, 187 | | | |
| -005 | NORTHERN ELECTRIC DBL-SHLD RG-187 | .197 | | |
| -006 | GC875GP1, GRUMMAN DBL-SHLD RG-188 | | | |
| -007 | 275-3991, MICRODOT | | | |
| -008 | RG-195, -180 421-111, ESSEX | .178 | | |
| -009 | 8218, BELDEN 21-597, ESSEX YR23023, BELDEN | | | |
| -011 | RG-58, RG-141, RG-303 | .213 | | |
| -013 | RG-59 | | | |
| -013A | TCC-75-2 | .255 | TAI-C118 | |
| -013B | RG-62 | | | |
| -014 | 8212, BELDEN | | TAI-221 | |
| -015 | 730A, LUCENT | .290 | TAI-C118 | |
| -015A | RG-71 | | | |
| -016 | 724, LUCENT 8281, BELDEN | .324 | TAI-221 | |
| -017 | RG-6 | .344 | | |
| -018 | 9268, BELDEN | .255 | | |
| -019 | 8279, BELDEN | | | |
| -020 | 9248, BELDEN | .290 | | |
| -022 | 88241, 88269, BELDEN | .255 | | TAI-C118 |
| -023 | 89108, BELDEN | | | TAI-221 |
| -024 | 89120, BELDEN | .290 | | |
| -025 | 734A, LUCENT | .255 | | TAI-243 |
| -026 | 735A, LUCENT | .178 | | |
| -026-X | | | | |
| -027 | KS19224L2, LUCENT | | TAI-221 | |
| -030 | 32448A, DRAKA | .324 | | |
| -054 | 1725A/B AVAYA | .344 | TAI-231 | |

DATA CONTAINED IN THIS DOCUMENT IS PROPRIETARY TO TROMPETER ELECTRONICS INC. AND SHALL NOT BE DISCLOSED, COPIED OR USED FOR PROCUREMENT OR MANUFACTURE WITHOUT EXPRESS WRITTEN PERMISSION.

| REVISIONS | | | |
|-----------|-----------------------|--------|----------|
| REV | DESCRIPTIONS | DATE | APPROVED |
| P | REVISED PER ECO 16946 | 8/5/09 | MMCCX |



-004 SHOWN

RECOMMENDED HEX CRIMP

6. EXAMPLE OF COMPLETE MODEL NUMBER:

UPLR220 - 025

BASIC MODEL NUMBER DASH NUMBER (CABLE GROUP)

RED INDICATES ORIGINAL

5 CONTACT SUPPORT BUSHING REQUIRED -013B, -015A & -022 ONLY

4. RF COAXIAL 75Ω BNC FULL CRIMP RIGHT ANGLE CABLE PLUG

3 PIN, SLEEVE, CRIMP SLEEVE & CONTACT SUPPORT BUSHING ARE SUPPLIED LOOSE

2 SLEEVE REQUIRED ON -003 THRU -007 & -027 ONLY

1. FINISH TFS-1A (NICKEL)

NOTES: UNLESS OTHERWISE SPECIFIED.

| | | | | | | |
|--|-------------|--|--------|--|-------------|---------|
| INTERPRET DRAWING PER MIL-STD-100. DIMENSIONS ARE IN INCHES AND INCLUDE FINISH THICKNESS UNLESS OTHERWISE SPECIFIED. | | TOL: UNLESS SPECIFIED. .XX ± .02 .XXX ± .010 ANGLE ± 1° | | a cinch connectivity solutions brand | | |
| DRN | L.M. 8-5-09 | MATERIAL: | TITLE: | | | UPLR220 |
| CHK | M.J. 8-5-09 | FINISH: | SIZE | CAGE CODE | DRAWING NO. | |
| QUALITY | | | A | 14949 | 1-0504 | P |
| MANUF | | | SCALE | DATE | SHEET | |
| APPROVED | 8-5-09 | DO NOT SCALE DWG | 2/1 | 3-11-94 | 1C | |
| PROJ/ FILE NO. | 1-0504 | | | | | |

NEXT ASSY