

Front View



Rear View



Features

- Intel® Pentium® N4200/ Celeron® N3350/ Atom™ E3950 Processor SoC
- Onboard LPDDR4 Memory up to 8GB
- Onboard eMMC Storage up to 64GB
- Gigabit LAN x 2, USB 3.2 Gen 1 (Type A) x 3
- 12-24 VDC-in, 5A
- 16pin GPIO connector for 40 pin HAT
- Audio Jack x 1 (line out + Mic)
- SATA3 x 1

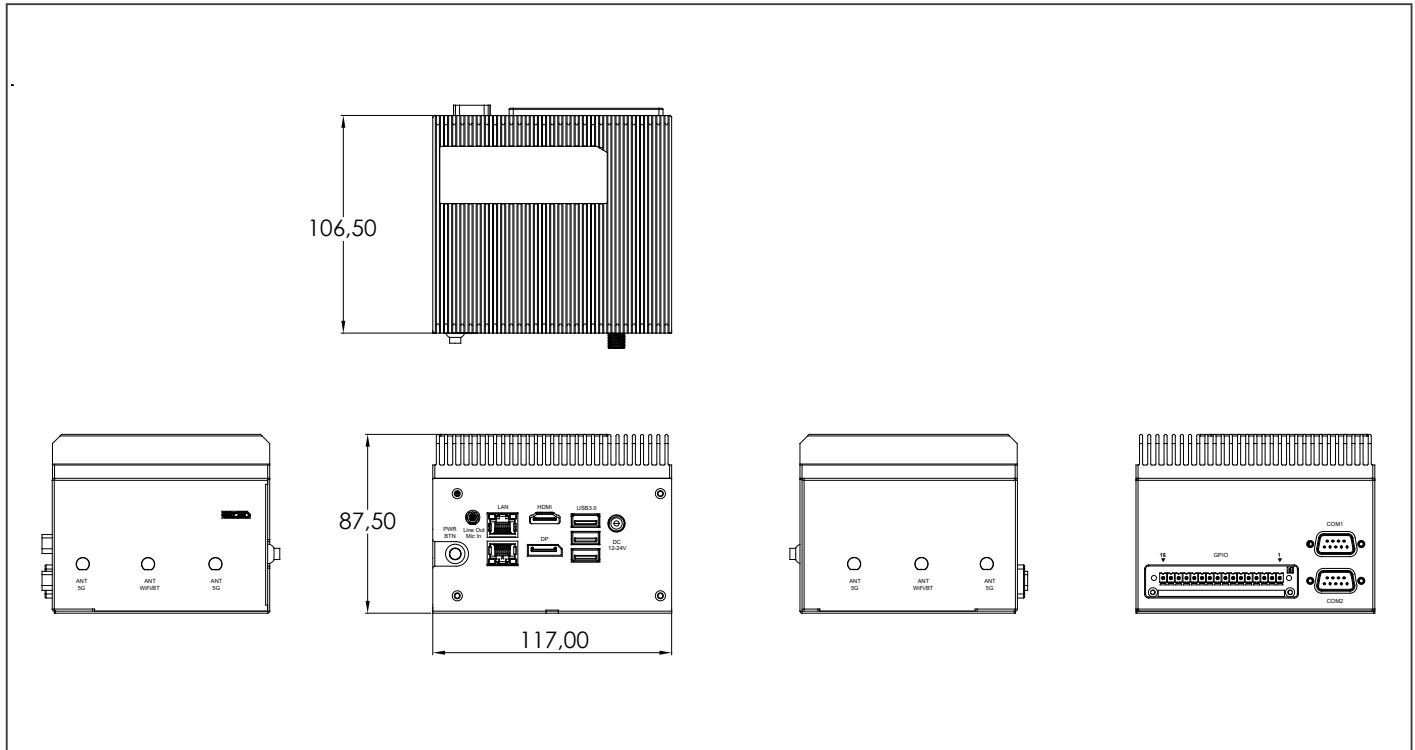


Specifications

System	
CPU	Intel® Apollo Lake N4200/N3350/E3950 Processor SoC
Memory	onboard DDR4, Max 8GB Single Channel:2GB Dual Channel:4GB,8GB
Graphics	Intel® Graphic ,Gen 9
Storage	Emmc 32G/64G
Ethernet	Intel i210 x2
WiFi/BT	Optional
Audio	Line out+mic in x1
USB	USB 3.2 Gen 1 OTG x 1 USB 3.2 Gen 1 (Type A) x 3
Expansion Slot	40 pin GPIO x 1 M.2 2230 E-key x 1 M.2 2280 M-key x 1 M.2 3052/3042 B-key x 1 (support with SIM) SATA3 connector x 1 (support 2.5" HDD/SSD expansion)
I/O Placements	
Power	DC-in Jack x 1, Power Button x 1
USB	USB3.2 Gen1 OTG x 1 USB3.2 Gen1 (Type A) x 3
Display Port	HDMIx1, DP x1
Ethernet	Gb Ethernet (full speed) RJ-45 x 2 (Intel i210)
COM	RS422/RS232/RS485 x 2
Environment	
Power	12-24VDC
Form Factor	117x106.5x88.8 mm
Gross Weight	GW: 982.5g
Operating Temperature	32°F ~ 140°F (0°C ~ 55°C) with air flow 0.5m/s
Operating Humidity	0% ~ 90% relative humidity, non-condensing
Certification	CE/FCC Class A, RoHS Compliant , REACH
OS Support	Microsoft Windows 10 (full), Windows IOT Core Linux: Ubuntu 18.04.5 & Ubuntu 20.04.1 Yocto 3.1

Dimension

Unit: mm



Ordering Information

Product SKU	Description
UPN-EDGE-APLC2F-A10-0232	UPN-EDGE-APL01.CPU N3350(F1).Memory 2GB.eMMC 32GB.REV.A1.0
UPN-EDGE-APLC2F-A10-0432	UPN-EDGE-APL01.CPU N3350(F1).Memory 4GB.eMMC 32GB.REV.A1.0
UPN-EDGE-APLP4F-A10-0432	UPN-EDGE-APL01.CPU N4200(F1).Memory 4GB.eMMC 32GB.REV.A1.0
UPN-EDGE-APLP4F-A10-0864	UPN-EDGE-APL01.CPU N4200(F1).Memory 8GB.eMMC 64GB.REV.A1.0
UPN-EDGE-APLX7F-A10-0464	UPN-EDGE-APL01.CPU E3950(F1).Memory 4GB.eMMC 64GB.REV.A1.0

Packing List

- UPN-EDGE PRO

Optional Accessories

- **1255X00032**
12VDC/6A Adapter
- **1702031803**
Power cord for EU
- **1702031802**
Power cord for US
- **PER-TAIX2-A10-2280**
AI Core XM M.2 2280 B+M key card 15mm heatsink with fan
- **9651926001**
M.2 2230 WiFi Kit.802.11ac.2.4G/5G,W/BT w/2 cable & antenna
- **9741364A00**
Wireless LAN Kit M.2 2230 802.11ac/a/b/g/n + BT4.0,2T2R,with 2 sets of cable & antenna