

UPOS-M15 Series

POS monitor UPOS-M15



Features

- 15.1" TFT display in LED backlight
- Flat and borderless front P-CAP touch panel design
- IP65 on front panel
- Reserved side hatch for optional module.
- 75 x 75mm VESA mount
- VGA input
- Build in speaker



Introduction

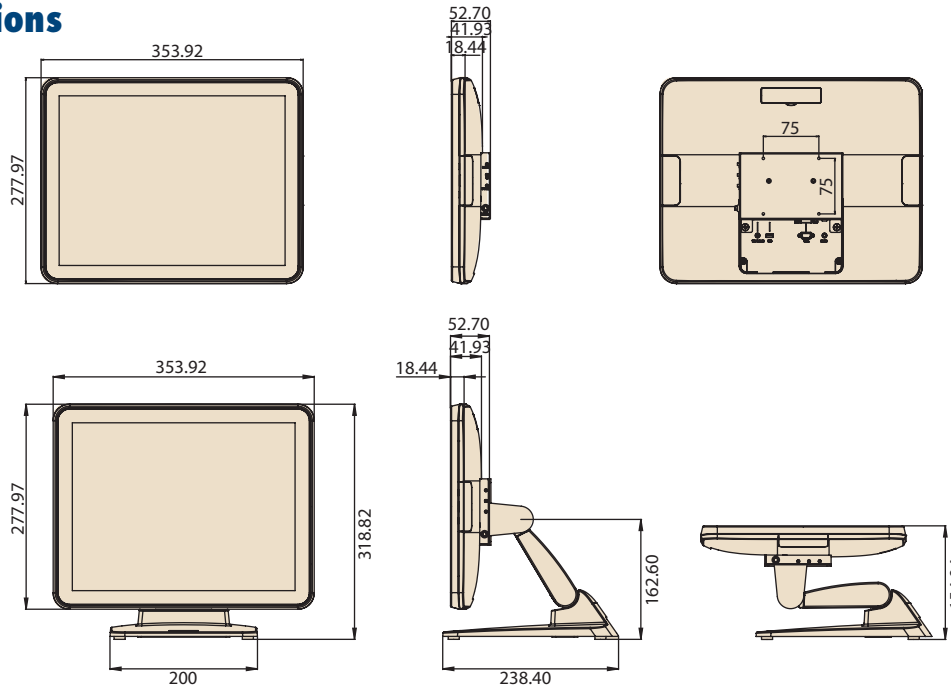
M15 monitor is designed to fit your point of sale system need. Monitor mounted borderless touch panel allow you to finger touch operating the system. Sleek and thin design provide a modern looking. M15 be able to mount through the standard VESA holes on pole, arm or wall mount. Desktop stand option is also available. Display back reserved hatched to mount the optional peripherals.

Specifications

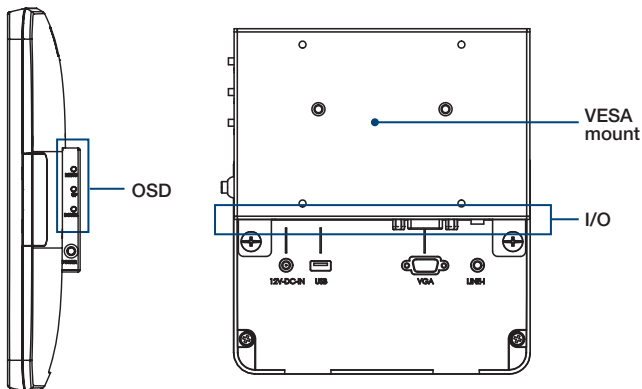
Display	Panel Resolution	15" TFT LCD (LED backlight) / 1024 x 768
	Brightness	250 cd/ m ² (400cd/ m ² optional)
	Touch Screen	P-Cap Touch
External I/O	Video in	VGA Port (DSUB-15) HDMI (Optional)
	Audio in	3.5mm jack
	USB	For Touch panel
	DC-In	2-pin power jack
Control Button	Power	Power on/off
	Menu	OSD menu
	Up	selection up
	Down	selection down
Others	Speaker	2W x 2
	Mount	VESA mount 75 x 75 mm
	Hatch	Right/Left/Top hatch reserved mounting for optional modular
	Adapter	12V 25 wattage power adapter
Optional Modular	side mount Peripherals	<ul style="list-style-type: none">▪ MSR▪ MSR + iButton▪ MSR + Fingerprint▪ MSR + RFID▪ MSR + IC card
Mechanical & Environmental	Case Color	Black /White / Black + Orange
	Operation Temperature	0 ~ 40° C (32 ~ 104° F)
	Humidity	10 ~ 95% @ 40° C non-condensing
	EMI / Safety	FCC/CE/CCC/CB/UL

Dimensions

Unit: mm



I/O View



Monitor Stand

Part Number	Description
UPOS-P07-A100	M15 monitor stand, double hinge, VESA75x74, BK
UPOS-P07-W100	M15 monitor stand, double hinge, VESA75x74, WH

Accessory (Cable)

Part Number	Description
1702002600	Power Cord 3P UL/CSA(USA) 125V 10A 1.83M 180D
1702002605	Power Cord EU 3P 10A 250V 183cm
17AP164100618010	D3.5 audio cable 1.8M
17AP164103018010	VGA cable 1.8M
17AP164100818010	USB2.0 A TYPE UL2725 M-M 1.8M

BOX PC (UPOS-540)

Part Number	Description
UPOS-540DP-AST00	J1900 USB4 COM4 BK 4G RAM
UPOS-540DP-AST01	J1900 USB4 COM4 BK 4G RAM 500G HD
UPOS-540DP-AST02	J1900 USB4 COM4 BK 4G RAM 64G SSD
UPOS-540DP-AST11	J1900 USB6 COM6 4G RAM 500G HD
UPOS-540DP-AST12	J1900 USB6 COM6 BK 4G RAM 64G SSD
UPOS-540FP-AI312	i3-6100U USB6 COM6 4G RAM 64G SSD
UPOS-540FP-AI512	i3-6100U USB6 COM6 4G RAM 64G SSD

Ordering Information

Part Number	Description
UPOS-M15G-AST00	15" 4:3 monitor Glass VGA BK
UPOS-M15G-WST00	15" 4:3 monitor Glass VGA WH
UPOS-M15P-AST00	15" 4:3 monitor P-touch VGA BK
UPOS-M15P-AST01	15" 4:3 monitor P-touch VGA BK w/ USB VGA audio cables
UPOS-M15P-AST02	15" 4:3 monitor P-touch VGA BK w/USB VGA cable
UPOS-M15P-WST00	15" 4:3 monitor P-touch VGA WH
UPOS-M15P-WST01	15" 4:3 monitor P-touch VGA WH w/ USB VGA audio cables
UPOS-M15P-WST02	15" 4:3 monitor P-touch VGA WH w/ USB VGA cable
UPOS-M15R-AST00	15" 4:3 monitor Res-touch VGA BK