

UPOS-M15 Series

POS monitor UPOS-M15



Features

- 15.1" TFT display in LED backlight
- Flat and borderless front P-CAP touch panel design
- IP65 on front panel
- Reserved side hatch for optional module.
- 75 x 75mm VESA mount
- VGA / HDMI(optional) input
- Build in speaker



Introduction

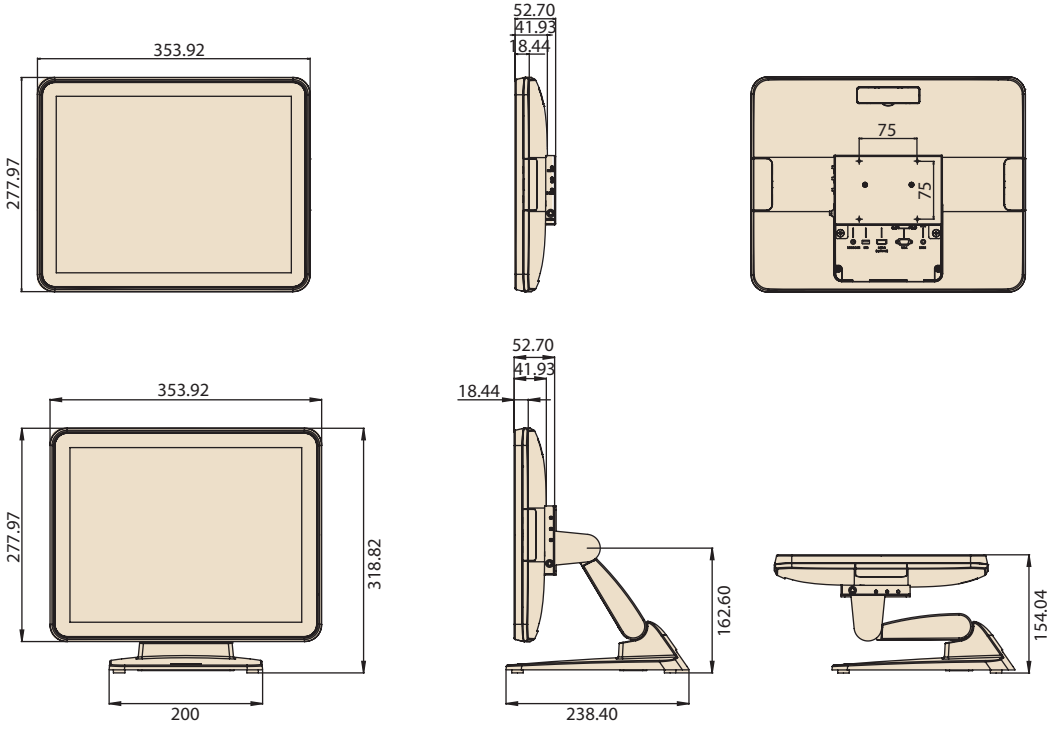
M15 monitor is designed to fit your point of sale system need. Monitor mounted borderless touch panel allow you to finger touch operating the system. Sleek and thin design provide a modern looking. M15 be able to mount through the standard VESA holes on pole, arm or wall mount. Desktop stand option is also available. Display back reserved hatched to mount the optional peripherals.

Specifications

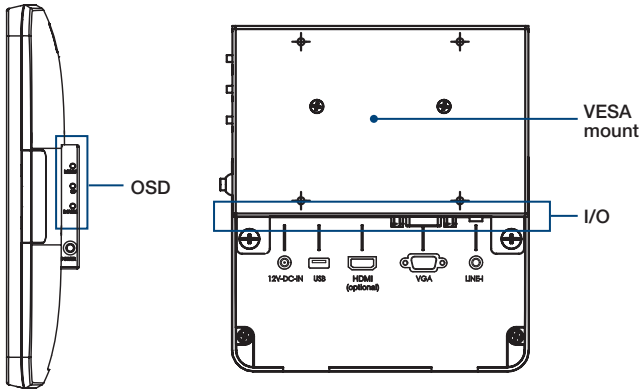
| | | |
|----------------------------|------------------------|---|
| Display | Panel Resolution | 15" TFT LCD (LED backlight) / 1024 x 768 |
| | Brightness | 250 cd/ m ² (400cd/ m ² optional) |
| | Touch Screen | P-Cap Touch |
| External I/O | Video in | VGA Port (DSUB-15) HDMI (Optional) |
| | Audio in | 3.5mm jack |
| | USB | For Touch panel |
| | DC-In | 2-pin power jack |
| Control Button | Power | Power on/off |
| | Menu | OSD menu |
| | Up | selection up |
| | Down | selection down |
| Others | Speaker | 2W x 2 |
| | Mount | VESA mount 75 x 75 mm |
| | Hatch | Right/Left/Top hatch reserved mounting for optional modular |
| | Adapter | 12V 25 wattage power adapter |
| Optional Modular | side mount Peripherals | MSR |
| Mechanical & Environmental | Case Color | Black /White / Black + Orange |
| | Operation Temperature | 0 ~ 40° C (32 ~ 104° F) |
| | Humidity | 10 ~ 95% @ 40° C non-condensing |
| | EMI / Safety | FCC/CE/CCC/CB/UL/BSMI |

Dimensions

Unit: mm



I/O View



Ordering Information

| Part Number | Description |
|-----------------|--|
| UPOS-M15P-AST01 | 15" 4:3 monitor P-touch VGA BK w/ USB VGA audio cables |
| UPOS-M15P-AST02 | 15" 4:3 monitor P-touch VGA BK w/USB VGA cable |
| UPOS-M15P-AST03 | (CN)15" 4:3 monitor P-touch HDMI VGA BK W/cable |
| UPOS-M15P-AST04 | (CN)15" 4:3 monitor P-touch VGA BK w/USB VGA cable |
| UPOS-M15P-AST11 | 15" 4:3 P-touch VGA/HDMI/ MSR BK w/cable |
| UPOS-M15P-AST12 | 15" 4:3 P-touch MSR BK w/USB VGA cable |
| UPOS-M15P-AST13 | (CN)15" 4:3 P-touch VGA/HDMI/ MSR BK w/cable |
| UPOS-M15P-AST14 | (CN)15" 4:3 P-touch MSR BK w/USB VGA cable |
| UPOS-M15P-WST01 | 15" 4:3 monitor P-touch VGA WH w/ USB VGA audio cables |
| UPOS-M15P-WST02 | 15" 4:3 monitor P-touch VGA WH w/ USB VGA cable |
| UPOS-M15P-WST04 | (CN)15" 4:3 monitor P-touch WH w/USB,VGA cable |

Accessory (Cable)

| Part Number | Description |
|------------------|---|
| 1702002600 | Power Cord 3P UL/CSA(USA) 125V 10A 1.83M 180D |
| 1702002605 | Power Cord EU 3P 10A 250V 183cm |
| 17AP164100618010 | D3.5 audio cable 1.8M |
| 17AP164103018010 | VGA cable 1.8M |
| 17AP164100818010 | USB2.0 A TYPE UL2725 M-M 1.8M |

Peripheral (2yrs warranty)

| Part Number | Description |
|---------------|------------------------------------|
| UPOS-P03-A105 | MSR, USB for UPOS-510/UPOS-520/M15 |

Monitor Stand (2yrs warranty)

| Part Number | Description |
|---------------|---|
| UPOS-P07-A100 | M15 monitor stand,double hinge,VESA75x74,BK |
| UPOS-P07-W100 | M15 monitor stand,double hinge,VESA75x74,WH |

BOX PC (UPOS-540) (2yrs warranty)

| Part Number | Description |
|------------------|-----------------------------------|
| UPOS-540FP-AI512 | i5-6300U USB6 COM6 8G RAM 64G SSD |