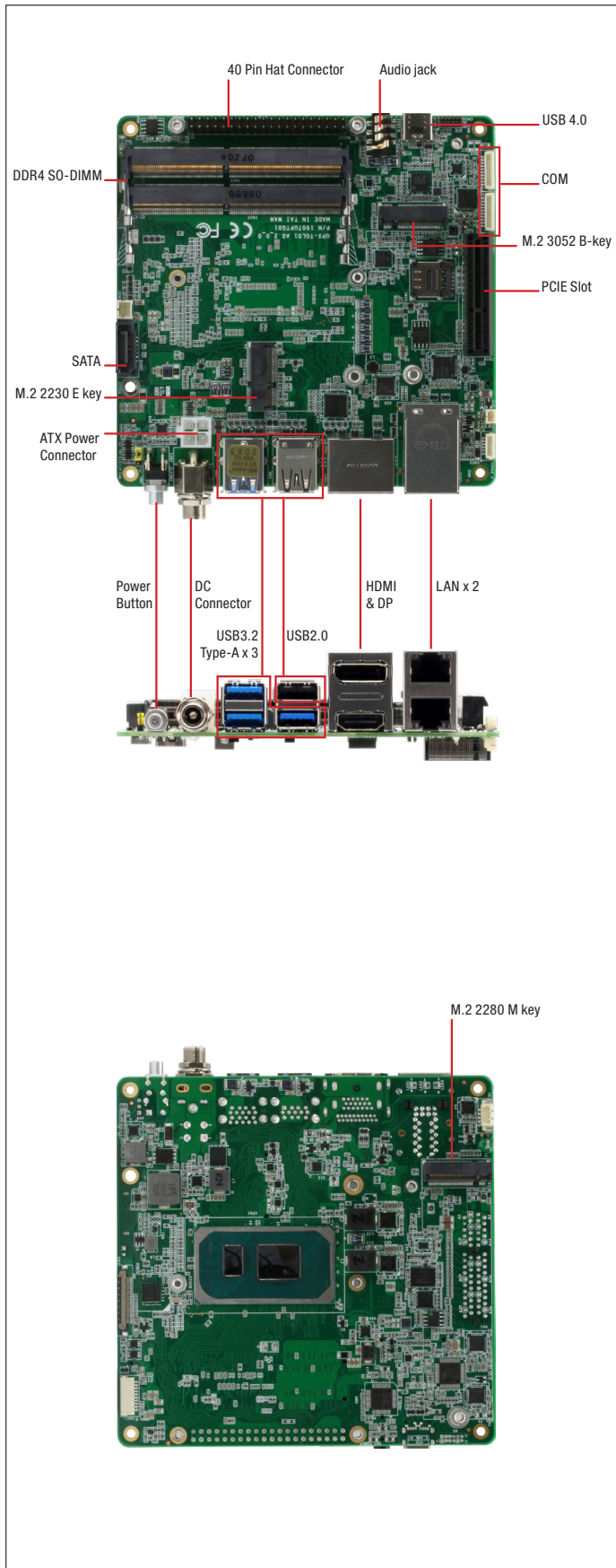


# UP Xtreme i11

UP Xtreme i11 Developer Board with 11th Generation Intel® Core™ i7/i5/i3/Celeron® Processor SoC



## Features

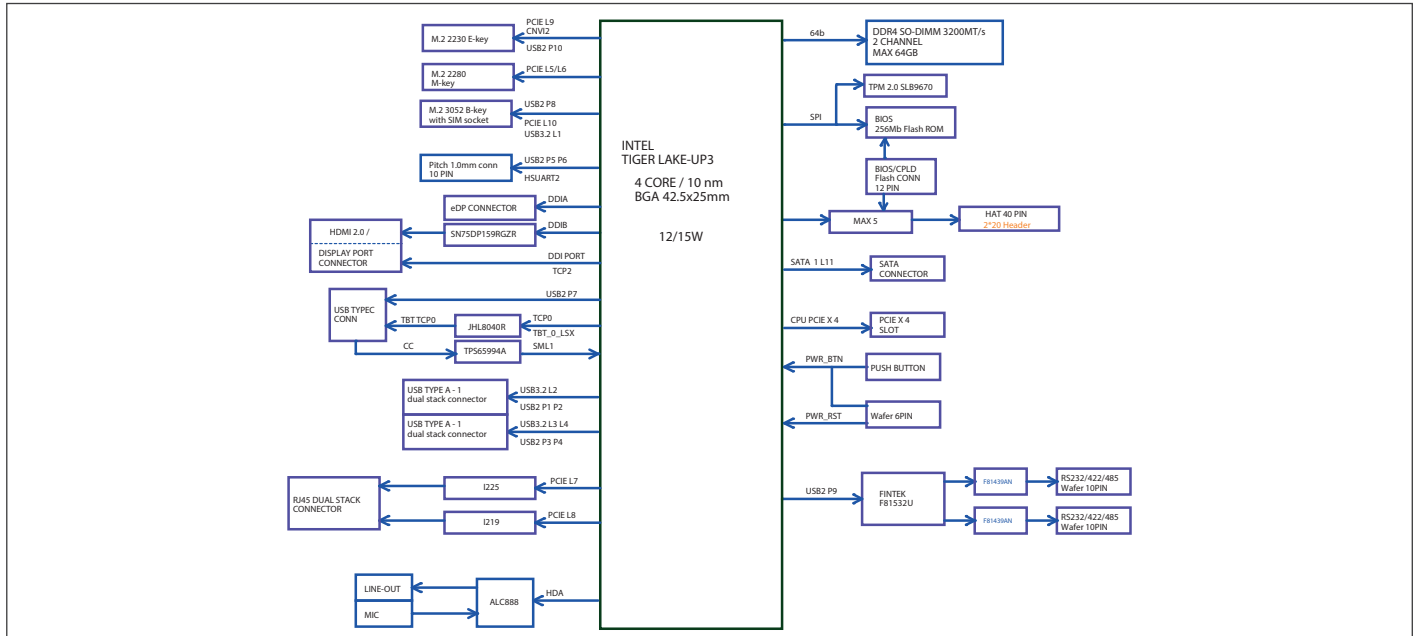
- 11th Generation Intel® Core™ i7/i5/i3/Celeron® Processor SoC
- DDR4 SODIMM Slot x 2, up to 64GB
- 40-pin HAT Connector
- 4 Independent Displays
- 5G Module support via M.2 3052 B-Key
- AI module support via M.2 2280 M-Key
- Supports Intel® Wi-Fi 6E AX210 via M.2 2230 E-Key
- USB 4.0 (Type-C)
- PCIe [x4] slot



## Specifications

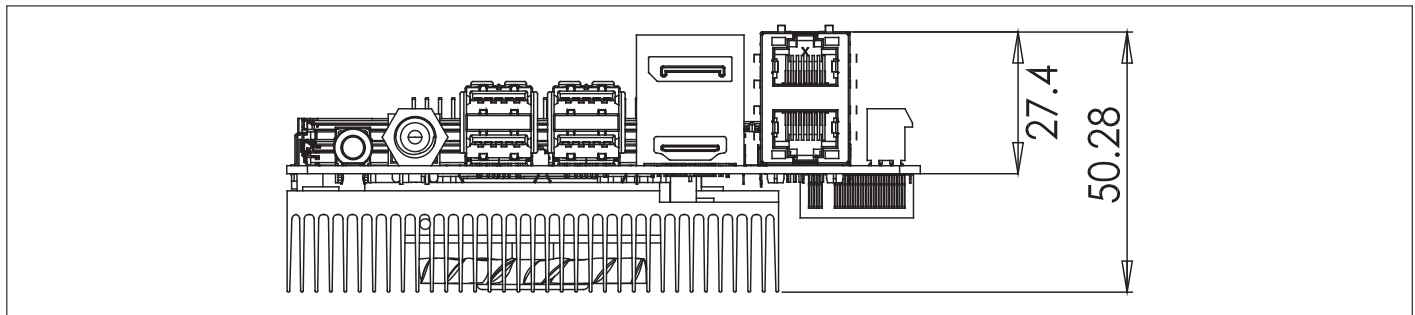
System	
Processor	11th Gen Intel® Core™ Processor SoC Intel® Core™ i7-1185G7E Intel® Core™ i7-1185GRE Intel® Core™ i5-1145 G7E Intel® Core™ i5-1145GRE Intel® Core™ i3-1115GRE Intel® Celeron® 6305E
Graphics	Intel® Iris® Xe graphics
Memory	DDR4 SODIMM Slot x 2, up to 64GB
Storage	M.2 2280 M-Key x 1 for NVMe (PCIe [x2]) SATA 6Gb/s x 1
I/O	HDMI 2.0 x 1 DP 1.4x 1 eDP x 1 Audio Jack x 1 (Mic-in+Line-out) RS-232/422 10-pin header x 2
Camera	—
USB	USB 2.0 x 2 (from wafer x 1) USB 2.0 (Type-A) x 1 USB 3.2 Gen 2 (Type-A) x 3 USB 4.0 (Type-C) x 1
Expansion	40-pin GPIO x 1 M.2 2230 E-Key x 1 M.2 2280 M-Key x 1 M.2 3052 B-Key x 1 SATA 6Gb/s x 1 PCIe [x4] Slot
Display Interface	HDMI 2.0 x 1 DP 1.4 x 1 eDP x 1
Ethernet	Intel® I225-IT x 1 Intel® I219 (vPRO) x 1
Security	—
RTC	Yes
OS Support	Microsoft Windows 10 and Windows IoT Linux Ubuntu 22.04 Linux Yocto 3.1
Power Requirement	
Power	12V (Lockable plug)
Power Supply Type	AT/ATX (ATX as default)
Power Consumption (Typical)	Balance: 32.4W Max current: 66W
Mechanical	
Dimension	4.74" x 4.82" (120.35mm x 122.5mm)
Net Weight	0.57 lbs (0.26kg)
Gross Weight	1.15 lbs (0.52kg)
Environment	
Operating Temperature	32°F ~ 140°F (0°C ~ 60°) / 0.5 airflow
Operation Humidity	0% ~ 90% relative humidity, non-condensing
MTBF	372,419 Hours
Certification	CE/FCC Class A, RoHS Compliant, REACH

## Block Diagram



## Dimension

Unit: mm



## Ordering Information

Part Number	CPU	CORE	MEMORY	HEATSINK
UPX-TGLCR-A10-0000	Intel®Celeron® 6305E	2	SO-DIMM (64GB)	FAN
UPX-TGLI3-A10-0000	Intel®Core™ i3-1115G7E	2	SO-DIMM (64GB)	FAN
UPX-TGLI5-A10-0000	Intel®Core™ i5-1145G7E	4	SO-DIMM (64GB)	FAN
UPX-TGLI5G7E-A10-0000	Intel®Core™ i5-1145G7E	4	SO-DIMM (64GB)	FAN
UPX-TGLI7-A10-0000	Intel®Core™ i7-1185G7E	4	SO-DIMM (64GB)	FAN
UPX-TGLI7G7E-A10-0000	Intel®Core™ i7-1185G7E	4	SO-DIMM (64GB)	FAN

## Packing List

- UP Xtreme i11 with heatsink + cooler

## Optional Accessories

Part Number	Description
1255X00032	(TF)AC/DC Adapter.Input AC.100~240V.Output DC.12V.MAX 72W.6.0A.180D.W/ LOCK.EDAC.EA10681U(120)
1255300960	(TF)Power Adapter.100~240VAC~50/60Hz.12V/8A.96W.DC jack W/lock.FSP.FSP096-AHAN3/9NA0961403 *Use this adapter if select AI Core XM
1702031802	(TF)POWER CORD.3P-125V 10A 180D.1.8M.USA.FANJET.YP12/YC-12 (for USA)
1702031803	(TF)POWER CORD.3P-250V 10A 180D.1.8M.VDE.FAN-JET.YP-22/YC-12 (for EU)
170203180E	(TF)Power cord.3P.125V/7A.1.8M.PSE YP12/YC12 Certificat (for Japan)
9741364A00	Wireless LAN Kit M.2 2230 802.11ac/a/b/g/n + BT4.0,2T2R,with 2 sets of cable & antenna (Enli,OCNFA364A)
9651926001	(TF).M.2 2230 WiFi Kit.802.11ac.2.4G/5G,W/BT Intel.9260.NGWG.NV,958867 w/2 cable & antenna
1702150155	Power Cable.15P SATA(F).2P 2.0mm, Housing(PH).15cm
1700070200	SATA CABLE.7P 180D(F) w/lock.to 7P 90D(F) w/o, lock SATA.20cm
UPCR-CAN1-A10-0001	UP CAN Bus Carrier Board with USB/UART interface for UP product line