

US082-ZMOD4410EVZ

The US082-ZMOD4410EVZ board enables quick prototyping of the [ZMOD4410](#) gas sensor module for indoor air quality (IAQ) in a custom system design. The board provides a standard Pmod™ Type 6A (Extended I<sup>2</sup>C) connection for the on-board sensor to plug into any required MCU evaluation kit with a matching connector.

The US082-ZMOD4410EVZ features Pmod connectors on both sides of the board to allow additional Type 6/6A boards to be connected in a daisy-chained solution with multiple sensors on the same MCU Pmod connector. Software support present in the Renesas IDE (e<sup>2</sup> studio) provides code generation to connect the sensor and the MCU significantly reducing development time. Because of the standard connector and software support, the US082-ZMOD4410EVZ is the best choice to rapidly create an IoT system with the Renesas Quick-Connect IoT.

**Features**

- Gas sensor module for indoor air quality ZMOD4410 sensor sample mounted:
  - Measurement of total organic compounds (TVOC) concentrations and IAQ
  - Module algorithm estimates carbon dioxide level (eCO<sub>2</sub>)
  - Algorithm to discriminate sulfur-based odors
- Standardized Type 6A Pmod connector supports I<sup>2</sup>C Extended interface
- Dual connectors allow pass-through signals for daisy-chained solutions
- Software support in e<sup>2</sup> studio minimizes development time with one-click code generation

**Board Contents**

- US082-ZMOD4410EVZ Board

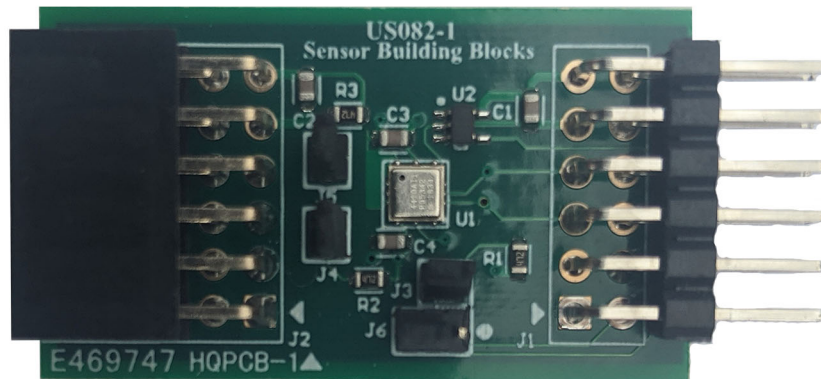


Figure 1. US082-ZMOD4410EVZ Pmod Board

## Contents

<b>1. Functional Description</b>	<b>3</b>
<b>2. Setup</b>	<b>4</b>
2.1 Required or Recommended User Equipment	4
2.2 Software Installation and Usage	4
2.3 Kit Hardware Connections	4
<b>3. Programming Interface</b>	<b>5</b>
<b>4. Board Design</b>	<b>6</b>
4.1 Schematic Diagrams	7
4.2 Bill of Materials	7
4.3 Board Layout	8
<b>5. Ordering Information</b>	<b>9</b>
<b>6. Revision History</b>	<b>9</b>

# 1. Functional Description

The US082-ZMOD4410EVZ functions as a sensor building block to create a custom system solution. It can be used individually or with a combination of other sensors using the Pmod Type 6A interface. See [Renesas Quick-Connect IoT](#) for a list of available sensor Pmod boards. Along with a simple hardware connection, the software sensor block in the Renesas software package allows you to generate all the necessary glue code between the sensor and the MCU with the simple click of a button.

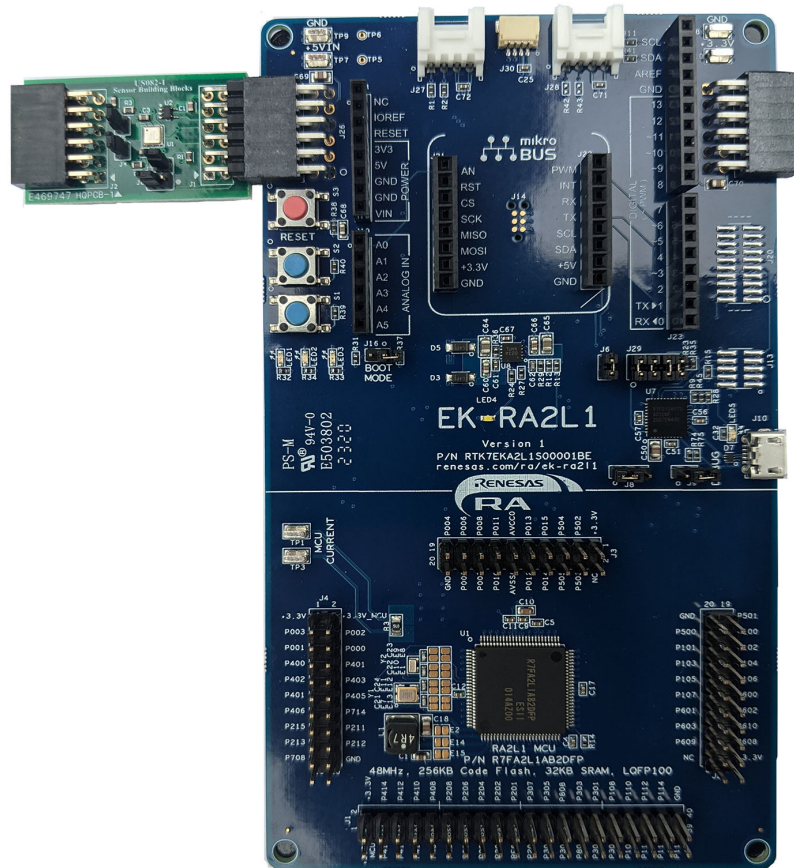


Figure 2. US082-ZMOD4410EVZ Pmod Board with RA2L1 MCU Kit

## 2. Setup

### 2.1 Required or Recommended User Equipment

The following additional lab equipment (sold separately) is required for using the board:

- Any MCU board that supports Type 6A Pmod.
- US082-INTERPEVZ interposer board if using one of the Renesas MCU kits shown in [Table 1](#).

**Table 1. Renesas MCU Evaluation Kits<sup>[1]</sup> capable of supporting Type 6A PMODs when used with the US082-INTERPEVZ**

RA	RX	Synergy
EK-RA4W1	RX111-Starter-Kit	PK-S5D9
EK-RA2A1	RX231-Starter-Kit	DK-S3A7
EK-RA4M1	RX23W-Starter-Kit	DK-S128
EK-RA6M1	RX23T-Starter-Kit	TB-S1JA
EK-RA6M2	RX24T-Starter-Kit	TB-S3A6
EK-RA6M3	RX24U-Starter-Kit	DK-S7G2
EK-RA6M3G		

1. This table is not a comprehensive list of supported MCU Kits. See the evaluation kit hardware manual to confirm Pmod pinout.

### 2.2 Software Installation and Usage

See the Renesas [website](#) for the latest version of the e2 studio installer. The minimum FSP version supporting sensor blocks is FSP 3.1.0. For the latest sensor support, ensure you are using the latest release.

Visit [Renesas Quick-Connect IoT](#) for more information about creating your customized system solution.

### 2.3 Kit Hardware Connections

Follow these procedures to set up the kit as shown on [Figure 3](#).

- Ensure the MCU evaluation kit has a Pmod connector set to Type 6A (see the kit hardware manual if unsure).
  - If no Type 6A Pmod is available, ensure the MCU evaluation kit can use the US082-INTERPEVZ interposer board and insert the board into the MCU connector before adding any sensor boards.
- Plug in the US082-ZMOD4410EVZ to the Type 6A connector, being careful to align Pin 1 on the sensor board and MCU kit.
- Connect the J4 and J5 jumpers to place 4.7k pull-up resistors on the I<sup>2</sup>C bus lines.
  - Only one set of I<sup>2</sup>C pull-up resistors should be used on the bus. If multiple sensor boards are used, only one board should have the jumpers present.
  - MCU kits typically do not have pull-up resistors present on the bus lines but double check for them.
- The INT pin of the ZMOD4410 is a push-pull output signaling if a measurement is being taken. Connect it to the Busy (GPIO) pin of the Pmod connector by placing Jumper J6 on Pins 1-2. Connect it to the INT pin of the Pmod connector by placing Jumper J6 on Pins 2-3. Connect Jumper J3 to add an optional 4.7k pull-up resistor to this line.

- The sensor is now ready to be used in the system. Follow the MCU kit instructions for connecting and powering up the evaluation kit.

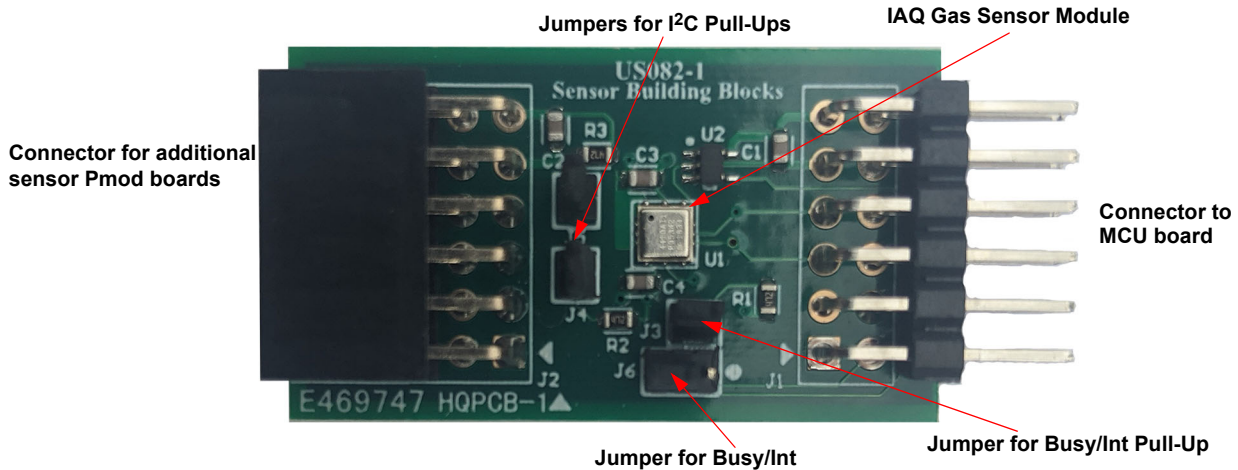


Figure 3. Evaluation Kit Connections

### 3. Programming Interface

Programming of the system can be accomplished through Renesas IDE, e<sup>2</sup> studio. See the MCU evaluation kit documentation to set up the initial project in e<sup>2</sup> studio. As the project is initialized, adding the ZMOD4410 sensor to the project only takes a few steps.

- Navigate to the **Components** tab, open the Middleware/all folder, and select the required sensor and mode of operation. For the case shown in Figure 4, select the **rm\_ZMOD4xxx\_rx** and **rm\_zmod4410\_iaq\_2nd**.

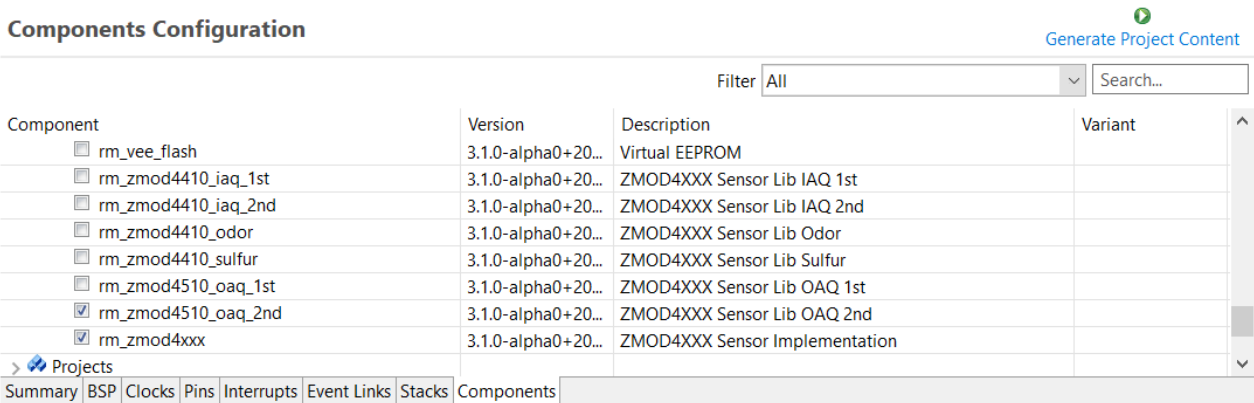


Figure 4. Component Configuration in Renesas e<sup>2</sup> studio

- Click the **Generate Project Content** icon and the system generates the code to configure the sensor with the MCU.
- Write three to four lines of code to check the version, initialize the sensor, start the measurement cycle, and get the data. The following is example code for an RA MCU.

```
err = p_zmod4xxx_api->open(p_zmod4xxx_ctrl, p_zmod4xxx_cfg); // Configure the sensor
err = p_zmod4xxx_api->measurementStart(p_zmod4xxx_ctrl); // Start measuring
err = p_zmod4xxx_api->read(p_zmod4xxx_ctrl, &gs_zmod4410_raw_data, NULL); //Get data
```

- Use the data in your given application. Sample projects are available on the Renesas website as well.

For more information on creating your full system design, further information on software development, and additional hardware availability, visit Renesas Quick-Connect IoT.

## 4. Board Design

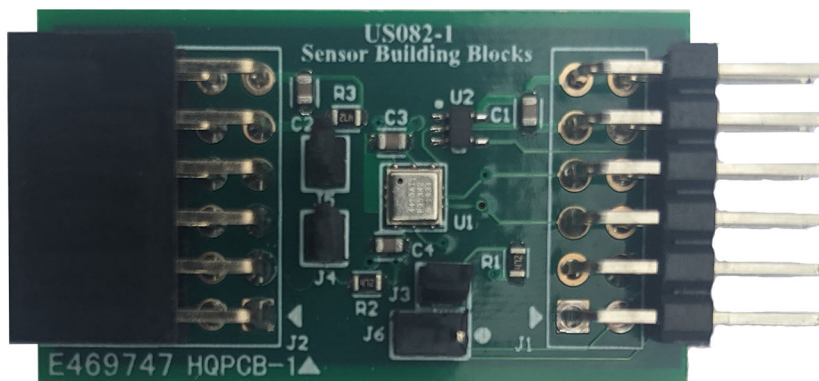


Figure 5. US082-ZMOD4410EVZ Evaluation Board (Top)

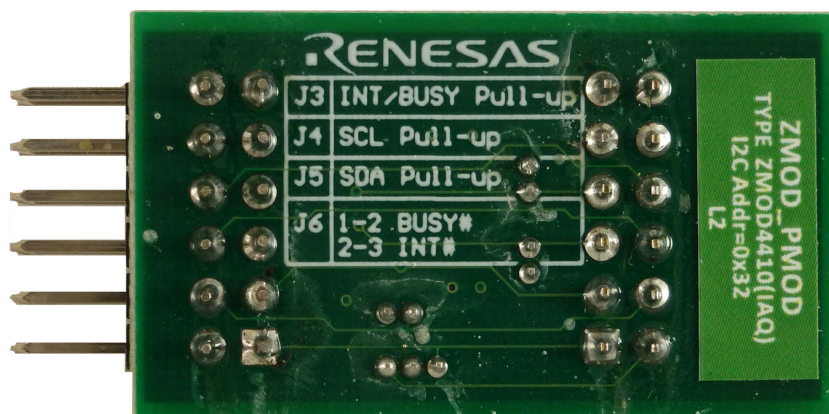


Figure 6. US082-ZMOD4410EVZ Evaluation Board (Top)



### 4.1 Schematic Diagrams

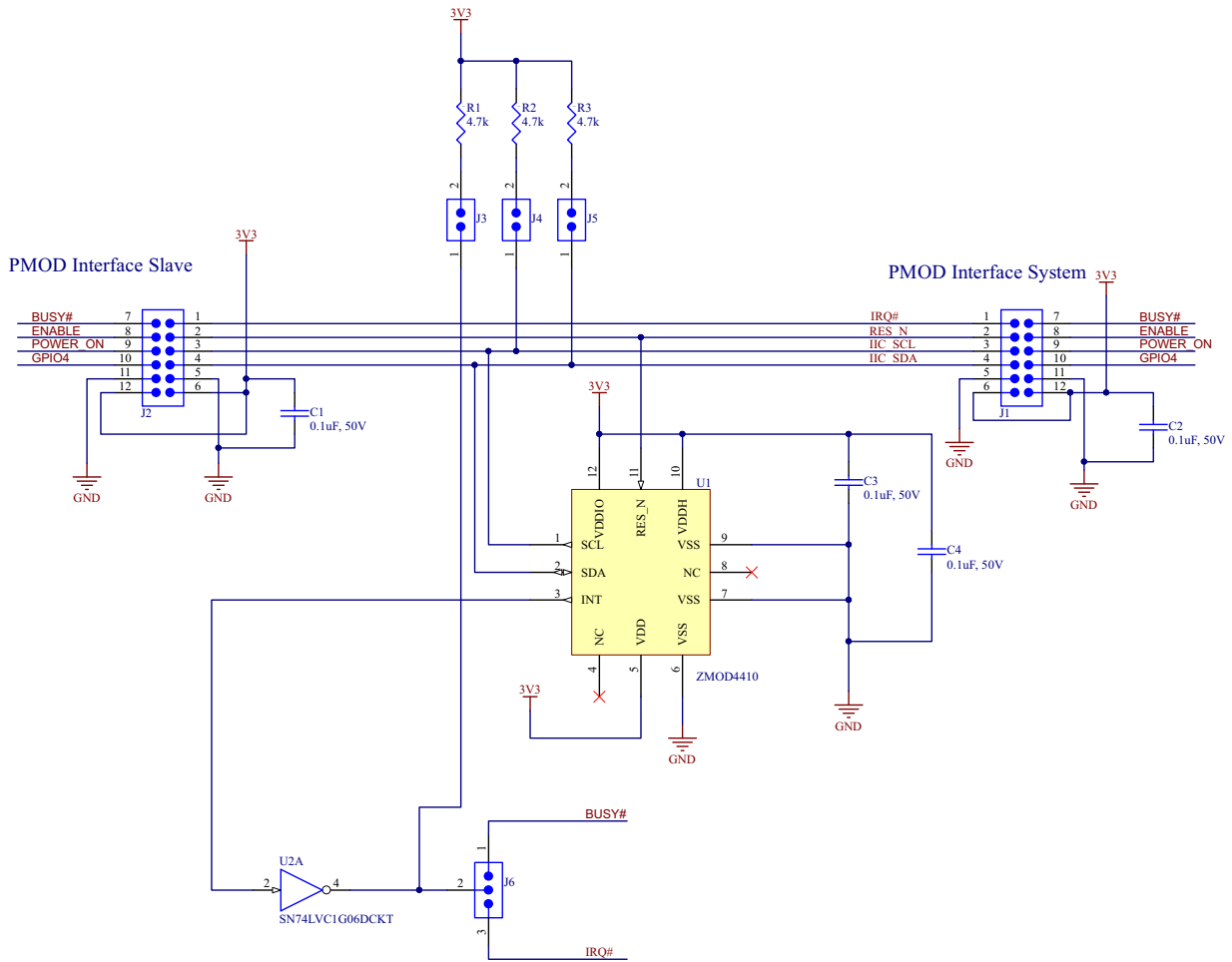


Figure 7. US082-ZMOD4410EVZ Schematic

### 4.2 Bill of Materials

Qty	Reference	Description	Value	PCB Footprint	Part Number
4	C1, C2, C3, C4	Capacitor, 0.1µF, 50V, 0603	0.1µF	0603	C0603C104J5RACTU
1	J1	Male Header 0.1" pitch PMOD 2x6 Right Angle	Pmod™	PMOD-MALE-TOP	M20-9950645
1	J2	Female Header 0.1" pitch PMOD 2x6 Right Angle		CON-000050-01	SSW-106-02-F-D-RA
3	J3, J4, J5	CONN HEADER VERT 2POS 1.27 MM		HDR-1X2-FTS	FTS-102-01-L-S
1	J6	CONN HEADER VERT 3POS 1.27 MM		HDR-1X3-FTS	FTS-103-01-L-D
3	R1, R2, R3	Resistor, 4.7k, 0603	4.7k	0603	RC0603JR-074K7L
1	U1	Gas Sensor Module		ZMOD4410	ZMOD4410
1	U2	Single Inverter Buffer/Driver With Open-Drain Output		DCK0005A_N	SN74LVC1G06DCKT
4	J3, J4, J5, J6	1.27" 1x2 Jumper with Grip, Gold			NPB02SVFN-RC

### 4.3 Board Layout

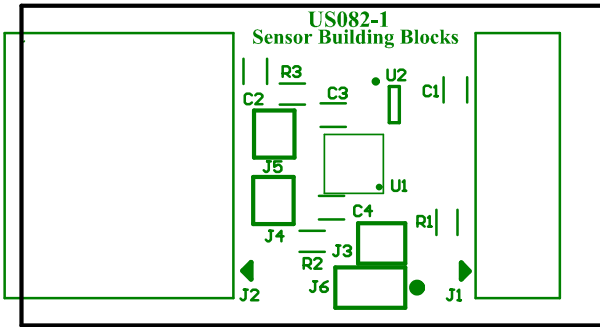


Figure 8. Silkscreen Top Layer

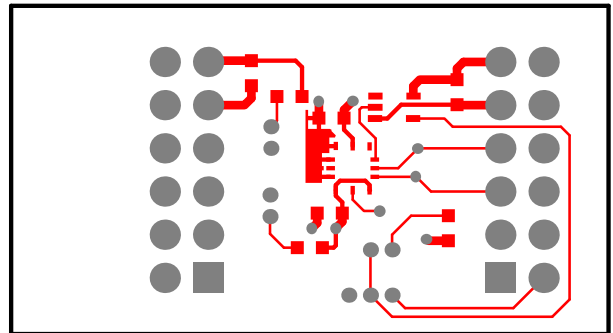


Figure 9. Top Layer

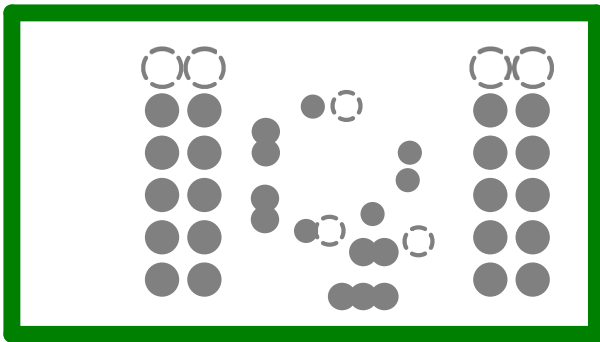


Figure 10. Layer 1

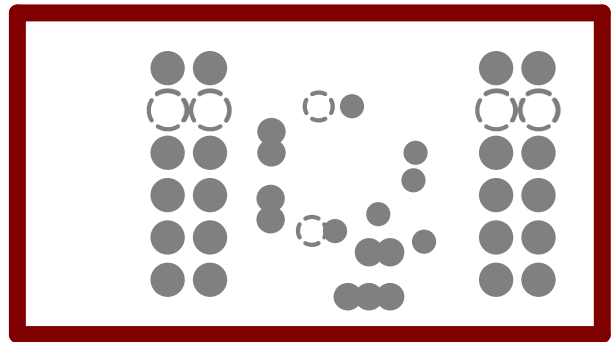


Figure 11. Layer 2

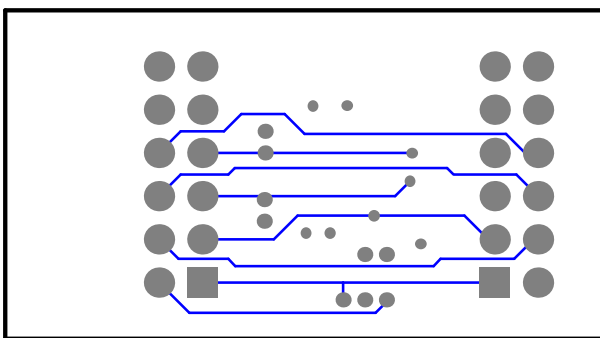


Figure 12. Bottom Layer

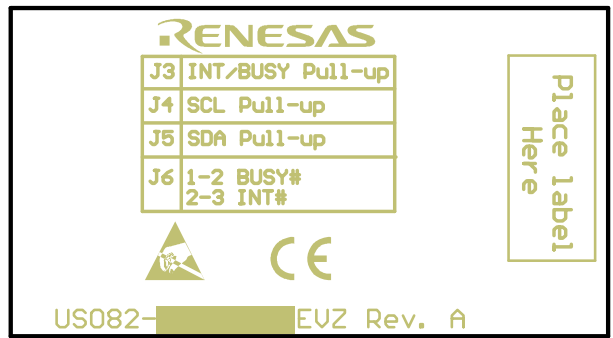


Figure 13. Silkscreen Bottom Layer



## 5. Ordering Information

Part Number	Description
US082-ZMOD4410EVZ	ZMOD4410 Pmod Board
US082-INTERPEVZ	Pmod interposer board to convert Type 2A and 3A to Type 6A on older Renesas MCU kits.

## 6. Revision History

Revision	Date	Description
1.0	Jun 10, 2021	Initial release