

# USC-160

## 15.6" RISC-Based All-in-One Ultra-Slim Computer



### Features

- Equipped with DeviceOn/iService software for remote device management
- 15.6" TFT display with LED backlight
- Flat bezel-less panel with PCAP touch
- Reserved side hatch for optional peripherals
- Embedded RFID/NFC reader and camera
- Supports VESA (75 x 75 mm) and wall mounting
- IP65-rated front panel
- Supports Power over Ethernet
- 12 ~ 36V wide input range

### DeviceOn/iService Specifications

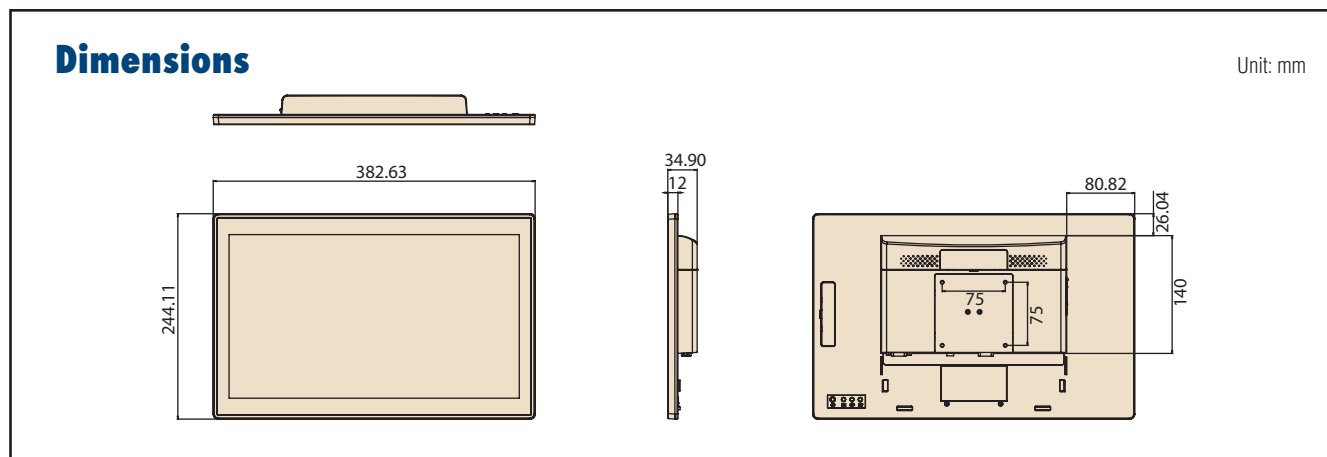


		USC-160AP-BX1XX	USC-160AP-BX2XX
System	CPU	Rockchip RK3288 quad-core Cortex™-A17 (up to 1.8 GHz)	Rockchip RK3399 dual-core Cortex™-A72 (up to 1.8 GHz)/quad-core Cortex™-A53 (up to 1.4 GHz)
Graphics	GPU	Mali-T764	Mali-T860
Memory	Capacity	2 GB onboard (4 GB optional)	
	Flash	16 GB onboard eMMC (32 GB optional)	
	Extension	Micro SD	
Display	Display Size	15.6" widescreen (16:9) TFT color LCD	
	Touchscreen	Projected capacitive touch panel (PCAP flat glass)	
	Max. Resolution	HD: 1366 x 768 FHD: 1920 x 1080	
	Viewing Angle	HD: Horizontal: ± 45°; Vertical: 20° and 40° FHD: Horizontal: ±85° or 170° total; Vertical: ±85° or 170° total	
	Luminance	HD: 250 cd/m <sup>2</sup> FHD: 400 cd/m <sup>2</sup>	
	Contrast Ratio	HD: 500:1 FHD: 1000:1	
I/O	HDMI	1	
	LAN	1 x 10/100/1000 Mbps (supports PoE)	
	Serial Port	1 x (RS-232/485 via jumper), up to 2 (1 x for RS-232 only)	
	USB Port	2 x USB 2.0 (up to 4)	2 x USB 3.0 (up to 4: 2 x USB 2.0 and 2 x USB 3.0)
	Audio Out	1	
	Mic In	1	
	DC Input	1 x Power jack (12 ~ 36V)	
	Micro SD	1	
	SIM Card	1	
Other	Speaker	2W	
	Mount Options	VESA mount 75 x 75 mm (2.95 x 2.95 in)	
	Hatch	Right/bottom hatch auxiliary mounting for optional modules	
	Adapter	12V/36W	
Optional Peripherals	RFID/NFC (Embedded)	1443A/B, 15693, Filcon	
	Camera (Embedded)	2MP camera module without LED	
	Wi-Fi/Bluetooth	Wi-Fi: 802.11ac/a/b/g/n BT: 4.2 Wi-Fi/BT combo module	
IP Rating	Front Panel	IP65	
Environmental	Operating Temperature	0 ~ 40 °C/32 ~ 104 °F	
	Humidity	10 ~ 95% @ 40 °C/104 °F (non-condensing)	
Mechanical Specifications	Color	Black or white	
	Dimensions (W x D x H)	382.63 x 244.11 x 34.9 mm/15.06 x 9.6 x 1.37 in	
	Weight	3.5 kg /7.7 lb	
Certifications	EMI/Safety	FCC, CE, CCC, BSMI, VCCI, UL, CB	
Operating System		Android 8.1, Android 10, Linux	

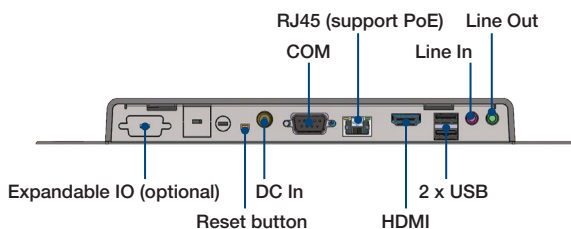
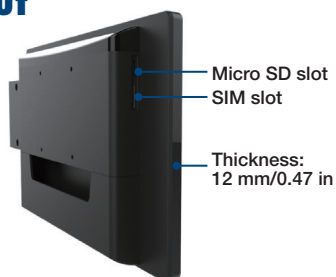
## Specifications Cont.

DeviceOn/iService Remote Device Management	Operating System	Android 8, 10
	Common Controls (Reboot, Shutdown)	✓
	Remote desktop	✓ (VNC)
	Device-Specific Controls (Audio, Backlight)	✓
	Connection Status	✓
	Hardware Status	✓
	Batch Operation Support	✓
	OTA Storage Management	Local blob
	OTA Software Updates	✓
	Software Watchlist	✓
	Software Start/Stop	✓
	Kiosk Mode	✓
Peripherals Watchlist	✓	

Note: DeviceOn/iService software must be downloaded from the Advantech website at <https://www.advantech.com/search?q=DeviceOn%2FiService&st=support&sst=Utility>



## I/O Layout



## Ordering Information

### For Worldwide Model

PN	Description
USC-160AP-BC106	15.6" 16:9 RK3288 2G ram/16G eMMC, HD, Android10, PoE, no wifi
USC-160AP-BC116	15.6" 16:9 RK3288 2G ram/16G eMMC, FHD, Android10, PoE, no wifi
USC-160AP-BC216	15.6" 16:9 RK3399 2G ram/16G eMMC, FHD, Android10, PoE, no wifi

### For EU Only Model

PN	Description
USC-160AP-BC111	15.6" 16:9 RK3288 2G ram/16G eMMC, FHD, Android 10, WIFI, PoE

## Peripheral

Part Number	Description
USC-P03-B200	MSR via USB for USC-MX/1XX
UPOS-P07-A100	UTC VESA stand (75x75), double hinge, black, for horizontal installations
USC-A-STAND-1	Avalo stand for primary display, black
USC-A-STAND-2	Avalo tube for secondary display, black
USC-P05-B110	2D barcode scanner
ASK-MNT-NMBLA10AC0	Wall Mount, 75/100mm, max. support 20kg
ASK-MNT-NMBLA10A00	Wall Mount, 75x75mm, max. support 20kg

## Accessories

	Part Number	Description
Power Cable	96CB-POWER-B-1.8MB	RWD.75, C.CC, black/3L, 180 cm
	1700001524	Power cable 3P, UL, 10A, 125V, 180 cm (US, TW)
	170203183C	Power cable 3P, 10A, 250V, 183 cm (EU)
	1700018553	Power cable 3P, SAA, 2.5A, 250V, 183 cm (Australia)
	1700025113-11	Power cable, ISI, 3P, 2.5A, 250V, 180 cm (India)
	1700018409	Power cable, KCC, 2P, 2.5A, 250V, 183 cm (Korea, Russia)
	170203180A	Power cable, BSI, 3P, 2.5A, 250V, 183 cm (UK)
	1700008921	Power cable, PSE, 3P, 7A, 125V, 180 cm (Japan)