

USM-260

6th Generation Intel® Desktop Series Multiple Functional Box PC



Features

- Embedded 6th Generation Skylake Celeron G3900TE/ i3-6100TE/i5-6500TE/ i7-6700TE
- Compact Design for space saving
- Easy access to dual 2.5" HDD/SSD tray in front cover
- Dual Display: DP+HDMI or DP+VGA or HDMI+VGA
- Multiple IO with up to 8 x USB, 2 x LAN, 4 x COM is suitable for variety of application requests
- Easy/quick installation for expansion parts (Mini PCIe) and RAM and mSATA
- Lockable DC jack design
- Flexibility for mounting : VESA,Wall/Desk



Introduction

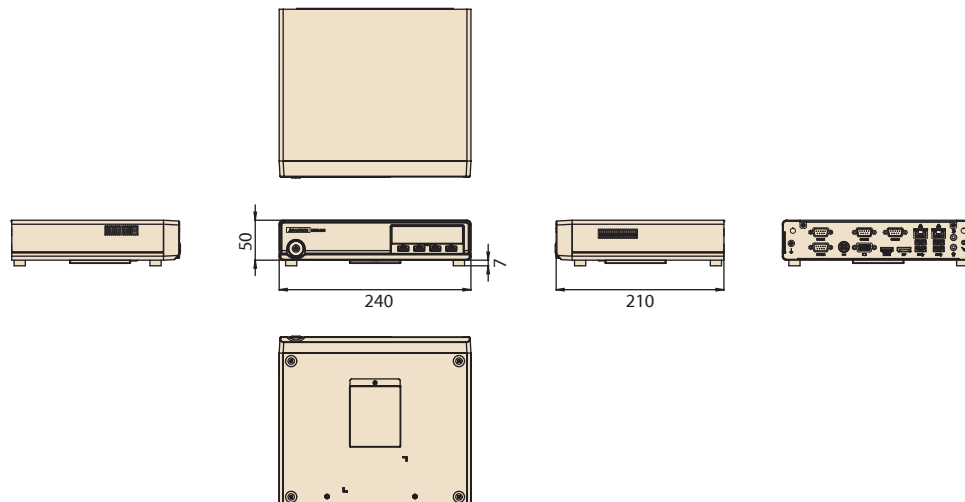
USM-260 is an intelligent multi-functional box PC equipped with the 6th generation Intel desktop processor. The system's compact design and multiple IO interface support to integrate in diverse peripherals and various application solutions that targeted at a wide range of applications (eg. Self-service system, POS system, Digital Signage Player, Edge Computing, AI and so on)in semi-industrial, retail and hospital markets.

Specifications

	CPU	Celeron G3900TE	Core i3-6100TE	Core i5-6500TE	Core i7-6700TE
Processor	Max Speed	2.6G	2.7G	3.3G	3.4G
	TDP	35W(With Smart Fan)			
	Technology	Dual channel DDR4 2133 MHz SDRAM (Non-ECC)			
Memory	Max Capacity	Up to 32GB (16GB per SO-DIMM)			
	Socket	2 x 260-pin SO-DIMM			
	SATA 3.0	2			
Storage	mSATA	1 (by Mini card slot support)			
	Capacity	Integrated Intel® HD Graphics 530			
	HDMI	Max. resolution 4096 x 2160 @ 24 Hz (HDMI 1.4)			
Graphic	Display Port	Max. resolution 4096 x 2160 @ 60Hz			
	VGA	Max. resolution 1920 x 1200 @ 60 Hz			
	Dual Display	DP+HDMI, DP+VGA, HDMI+VGA			
	Ethernet	Interface	10/100/1000 Mbps		
Audio	Controller	Realtek RTL8111G GbE LAN			
	Interface	ACL662			
Front IO	USB2.0	0 (Optional 4xUSB)			
	HDD Slot	1 (Optional 2 Slots)			
Rear IO	VGA	1			
	HDMI	1			
	Display Port	1			
	RJ-45	2			
	USB3.0	4			
	Serial	2 (Optional 4 x COM)			
	DC Jack	1			
Expansion	Mini PCIe	1 F/S miniPCIe slot support mSATA; 1 H/S miniPCIe slot support PCIe/USB device			
MISCELLANEOUS	Color	Black			
	Dimension	240 x 210 x 57mm(L x W x H)			
	Power	19V, 90W			
Mounting Mode	ACCESSORIES	VESA, Wall Mounting, Desktop			
Software	OS	Win7,Win10,			
	Operating Temperature	0 ~ 40 °C			
	Storage Temperature	-40 ~ 85 °C (-40 ~ 185 °F)			
	Relative Humidity	90% @ 40 °C (non-condensing)			
	Vibration during operation	With HDD:0.5Grms, IEC 60068-2-64, random 5-500HZ, 3 axes, 1hr/axis			
Certification	Shock during operation	With HDD:10 G, IEC 60068-2-27, half sine, 11 ms duration			
		CCC/BSMI/CE/FCC			

Dimensions

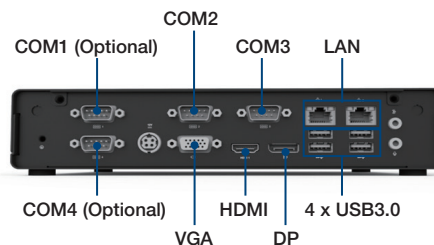
Unit: mm



Fully- Integrated I/O



4 x USB2.0 (Optional)



Ordering Information

PN	Description	Front Panel		Rear Panel						
		USB2.0	HDD/SSD Slots	DP	HDMI	VGA	LAN	USB3.0	COM	Audio
USM-260F-BST00	Intel Skylake LGA1151 Desktop Platform Mini BOX PC w/o CPU and RAM and Storage, Standard Version	0	1	1	1	1	2	4	2	2
USM-260F-BFL00	Intel Skylake LGA1151 Desktop Platform Mini BOX PC w/o CPU and RAM and Storage, Full Version	4	2	1	1	1	2	4	4	2

Accessory

Accessory	PN	Description
CPU	96MPCLS-2.3-2M11T	CELERON 2.3G 2M 1151P G3900TE
	96MPI3S-2.7-4M11T	CORE 2.7G 4M 1151P 2 CORE I3-6100
	96MPI5S-2.3-6M11T1	CORE 2.3G 6M 1151P 4 CORE I5-6500TE
	96MPI7S-2.4-8M11T1	CORE 2.4G 8M 1151P 4 CORE I7-6700TE
Storage	AQD-SD4U4GN24-SG	For Core i3/i5 version, 4G, DDR4 260 PIN 2400 Mhz SODIMM
	AQD-SD4U8GN24-SE	For Core i3/i5 version, 8G, DDR4 260 PIN 2400 Mhz SODIMM
	SQF-S25M4-64G-S9C	SQF 2.5" SSD 630 64G MLC (0-70°C)
	SQF-S25M4-128G-S9C	SQF 2.5" SSD 630 128G MLC (0-70°C)
	SQF-S25M4-256G-S9C	SQF 2.5" SATA SSD 630 256 MLC (0-70°C)
	SQF-S25V2-128G-SBC	SQF 2.5" SATA SSD 640 128G BiCS3 3D NAND (0-70°C)
	SQF-S25V4-256G-SBC	SQF 2.5" SATA SSD 640 256G BiCS3 3D NAND (0-70°C)
	96ND500G-ST-SG5KA1	SEAGATE 500G 2.5" SATAIII 5KRPM 16M(G)24*7
Wifi Module	SQF-SMSM4-64G-S9C	SQF MSATA 630 64G MLC (0-70°C)
	SQF-SMSM4-32G-S9C	SQF MSATA 630 32G MLC (0-70°C)
	EWM-W135F01E	802.11 a/b/g/n, Atheros AR9382, 2T2R Full size Mini PCIe
	1750005885*2	Internal antenna L=23cm SMALFR8-3230A-00X00R
	1750008717-01*2	Dipole Ant. D.B 2.4/5G WIFI 3dBi SMA/M-R BLK(outer antenna)