

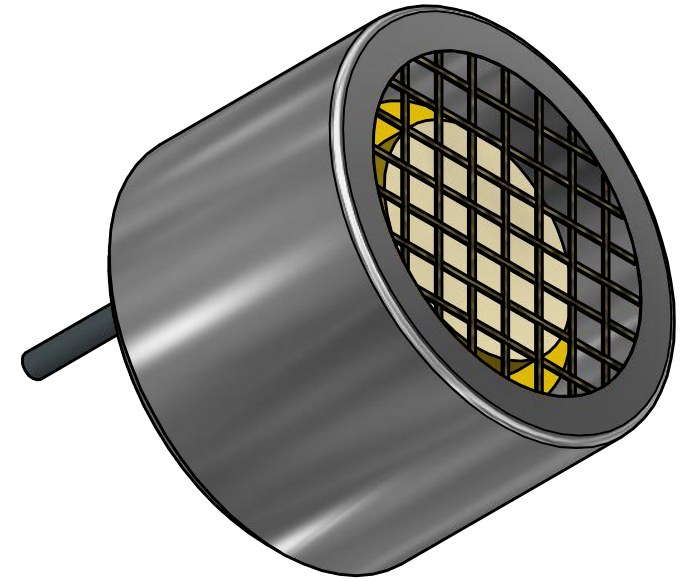
SPECIFICATIONS

| PARAMETERS | VALUES | UNIT |
|-----------------------|------------------|-------|
| MAXIMUM INPUT VOLTAGE | 30 | VRMS |
| CAPACITANCE | 2100 ±20% | pF |
| SPL (0 dB=0.0002μBAR) | 115 | dB |
| CENTER FREQUENCY | 40,000 ± 1,000 | Hz |
| OPERATING TEMPERATURE | -20 ~ +70 | °C |
| STORAGE TEMPERATURE | -30 ~ +80 | °C |
| DIRECTIVITY (-6 dB) | 70° | - |
| TERMINAL MATERIAL | Sn PLATED COPPER | - |
| WEIGHT | 4.8 | grams |

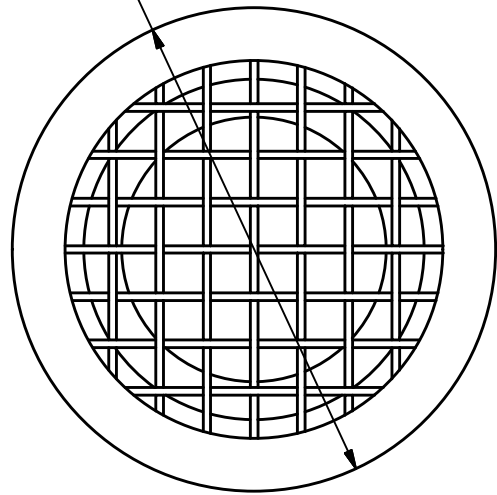
THIS DOCUMENT CONTAINS DATA PROPRIETARY TO PROJECTS UNLIMITED, INC. ANY USE OR REPRODUCTION, IN ANY FORM, WITHOUT PRIOR WRITTEN PERMISSION OF PROJECTS UNLIMITED, INC. IS PROHIBITED.
©2003, Projects Unlimited Inc.

REVISION HISTORY

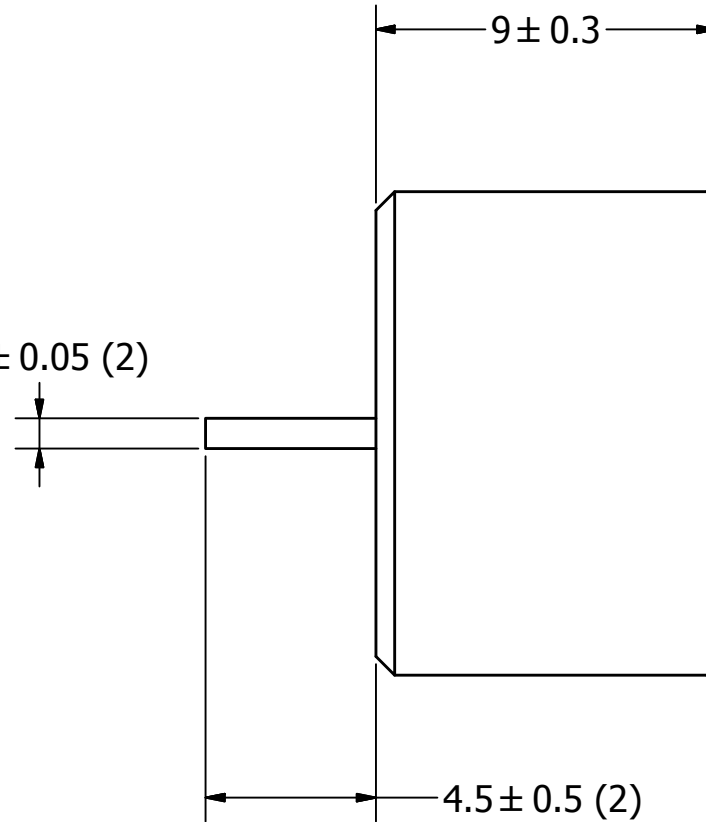
| LTR | DESCRIPTION | DATE | APPROVED |
|-----|---------------------------|----------|----------|
| - | RELEASED FROM ENGINEERING | 6/1/2016 | |



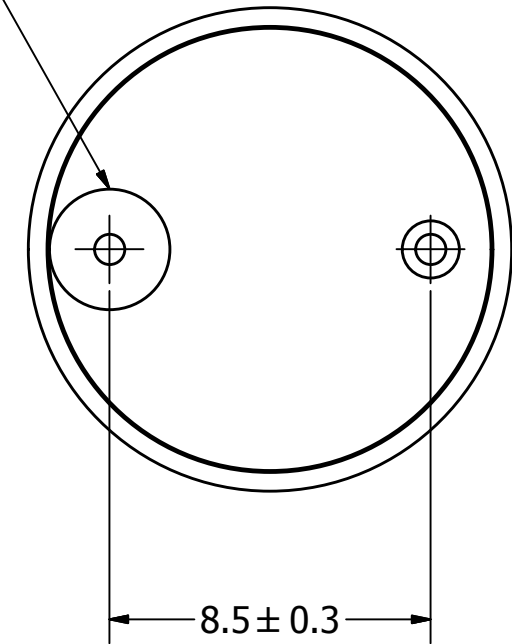
Ø12.8 ± 0.3



0.8 ± 0.05 (2)



POLARITY (+)



NOTES:

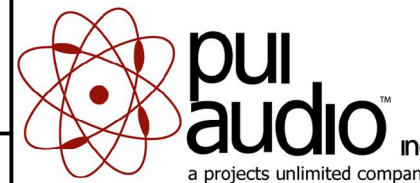
1. ALL DIMENSIONS ARE IN MILLIMETERS.
2. SPECIFICATIONS SUBJECT TO CHANGE OR WITHDRAWL WITHOUT NOTICE.
3. THIS PART IS RoHS 2011/65/EU COMPLIANT.
4. DESIGNED FOR USE WITH THE UR-1240K-TT-R.

UNLESS OTHERWISE SPECIFIED:
ALL PURCHASES ARE SUBJECT TO AND INCORPORATE THE PUI AUDIO TERMS AND CONDITIONS SALE FOUND AT http://www.puiaudio.com/pdf/terms_conditions.pdf (paper copy available upon request).
DIMENSIONS ARE IN MILLIMETERS, TOLERANCES ARE ±0.5 AND ANGLES ARE ±3°.

UT-1240K-TT-R.idw

SIZE
A3

| Designed by | Date | Checked by | Date | Approved by | Date | Drawn Date |
|-------------|----------|------------|----------|-------------|----------|------------|
| M.V. | 6/1/2016 | M.V. | 6/1/2016 | B.R. | 6/1/2016 | 6/1/2016 |



UT-1240K-TT-R

Ultrasonic Transmitter

Edition
-
Sheet
1 / 1