

UTC-207

7" Ubiquitous Touch Computer UTC-207G with Intel® Celeron® N3350/ Pentium® N4200

Preliminary



Features

- Low power and fanless system design
- Built-in Intel® Celeron® N3350 / Pentium® N4200
- 7" monitor with 16:9 widescreen display
- Supports both landscape and portrait screen orientations
- PoE supported on Celeron® N3350 / Pentium® N4200 platform

CE FCC

Introduction

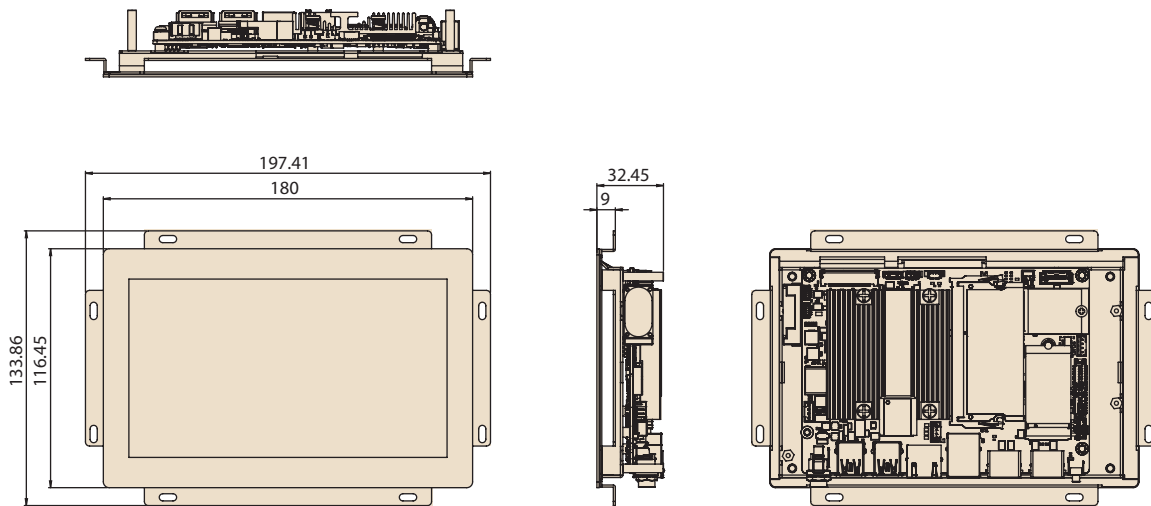
UTC-207 features one-piece solution and fan-less design that easy to embedded into kiosk chassis or wall mount type. Continuation of the advantage from UTC series, It is easy to integrate key peripherals and display systems for diversified self-service and interactive signage deploy in different application areas. The systems deliver updated information with well-designed interactive interfaces, fully ensure relevant content and targeted promotions are delivered.

Specifications

Processor System	CPU	Intel® Celeron® N3350 (UTC-207G)	Intel® Pentium® N4200 (UTC-207G)
	Base Frequency	1.10 GHz (Dual-Core)	1.10 GHz (Quad-Core)
	Cache	L2 Cache 1MB	L2 Cache 2MB
	Memory	1 x SO-DIMM DDR3L 1866 MHz up to 8 GB	1 x SO-DIMM DDR3L 1866 MHz up to 8 GB
	Storage	1 x M.2 2242 SSD	
	Network (LAN)	2 x Gigabit Ethernet ports (Supports Wake on LAN)	
	I/O ports	2 x RS-232 COM (COM2 RS-232/422/485) 2 x USB3.0 / 2 x USB3.0 (optional) 2 x Gigabit Ethernet ports (1 with PoE)	
	Stereo Speaker	1 x 2W	
	Bus expansion	1 x M.2 key2230, 1 x M.2 key2242	
	Dimensions (W x H x D)	180 x 116.5 x 32.5 mm	
	Weight	0.95kg (2.09lbs)	
OS Support	Win 10 IoT Enterprise 64bit Android 6.0 Linux Ubuntu 18.04		
Environmental Specifications	Operating Temperature	0 ~ 40 °C (32 ~ 104 °F)*	0 ~ 40 °C (32 ~ 104 °F)*
	Relative Humidity	10 ~ 95% @ 40 °C non-condensing	
	Vibration	0.5G	
	Shock	10G peak acceleration (11 msec. duration)	
	Certification	CE, FCC	
Power Supply	DC Input Rating	12 V/3 A ~ 24 V/1.5 A, 36W ITE Adapter	
	PoE	Optional IEEE 802.3at/30W	
	Power consumption	Typical: 25W Max.: 34W	
LCD Display	Size/Type	7" TFT LCD with LED backlight	
	Max. Resolution	800 x 480	
	Max. Color	262K	
	Pixel Pitch (um)	192.6 x 179	
	Brightness (cd/m ²)	450	
View Angle	140°/ 160°		
Touch Screen Option (PE/GE)	Type	Projected Capacitive. Glass Panel	
	Light Transmission	80% ± 5% / 90%	
	Controller	USB Interface	

Preliminary Dimensions

Unit: mm



Preliminary Ordering Information

Part No.	Description
UTC-207GP-AT00E	7" Pcap, N3350, 2G RAM, Openframe
UTC-207GP-AT01E	7" Pcap, N4200, 2G RAM, Openframe
UTC-207GG-AT00E	7" Glass, N3350, 2G RAM, Openframe
UTC-207GG-AT01E	7" Glass, N4200, 2G RAM, Openframe
1700001524	Power Cord 3P UL 10A 125V 180cm
170203180A	Power Cord 3P UK 2.5A/3A 250V 1.83M
170203183C	Power Cord 3P Europe (WS-010+WS-083)183cm
1700021374-01	Power Cord 3P CCC 2.5A 250V 250cm (IEC60320-C5)