

UTC-515

15.6" Ubiquitous Touch Computer UTC-515A with AMD® G-Series T40E UTC-515B with Intel Atom Dual Core D2550 UTC-515C with Intel Core™ i3, i7



Features

- Low Power & Fanless design
- Built-in AMD® G-Series T40E (UTC-515A)
- Built-in Intel Atom Dual Core D2550 (UTC-515B)
- Built-in Intel Core™ i3, i7 (UTC-515C)
- Providing Natural Viewing Experience with 16:9 15.6" Display
- Front panel complies with IP65 protection standard
- All in one aluminum extrusion design
- Landscape & Portrait screen mode support by different applications
- VESA 100 mm standard mounting holes for varied mounting demands
- Attachable design for panel & peripherals to extend function and applications



Introduction

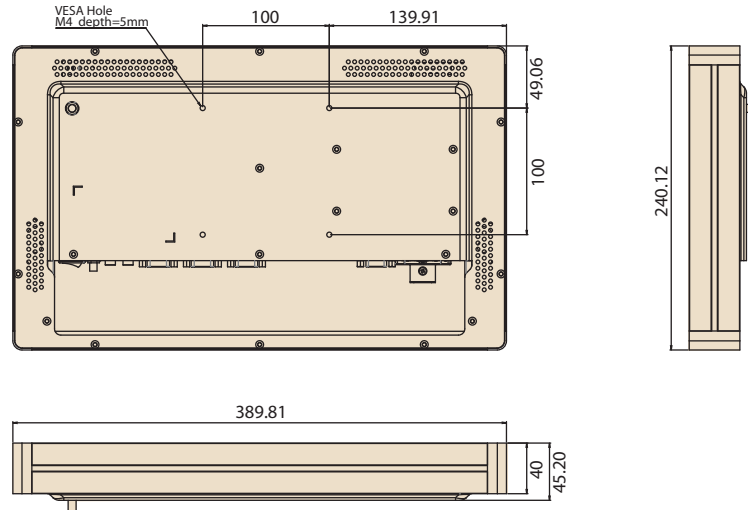
UTC-515 features an all-in-one computing system equipped with wide format, touch based LCD panel. It is easy to integrate key peripherals and display systems for diversified self-service and interactive signage deploy in different application areas. The systems deliver updated information with well-designed interactive interfaces, fully ensure relevant content and targeted promotions are delivered. UTC series touch panel computers are the best investments to enhance user satisfaction, further brand equity, and maximize business profits.

Specifications

| | | | | |
|--------------------------------|--|--|--|--|
| Processor System | CPU | AMD® G-Series T40E Dual-core 1.0 GHz (UTC-515A) | Intel Atom Dual Core D2550 1.8 GHz (UTC-515B) | Intel i3 3217UE 1.6 GHz Intel i7 3517UE 1.7 GHz (Available*) (UTC-515C) |
| | Chipset | T40E + A50M | Intel Atom D2550 + Intel NM10 | Intel QM77 |
| | L2 Cache | 512 KB | 1 MB | 1 MB (L3, 3 MB) |
| | Memory | 1 x SO-DIMM DDR3 1066 MHz up to 4 GB | 1 x SO-DIMM DDR3 1066 MHz up to 4 GB | 1 x SO-DIMM DDR3/DDR3L 1333/1600 MHz up to 8 GB |
| | SSD | Support 1 x CFast | Support 1 x CFast | |
| | HDD | 1 x 2.5 internal SATA HDD bay | | |
| | Network (LAN) | 2 x Gigabit Ethernet ports (Supports Wake on LAN) | | |
| | I/O Ports | 3 x RS-232 COM (RS-422/485)* | 3 x RS-232 COM (RS-422/485)* | 2 x RS-232 COM (RS-422/485)* |
| | | 4 x USB 2.0 | 4 x USB 2.0 | 2 x USB 2.0, 2 x USB 3.0 |
| | | 2 x Gigabit Ethernet (RJ-45) 1 x VGA & HDMI Audio Line-out x 1, Mic-in x 1 | 2 x Gigabit Ethernet (RJ-45) 1 x VGA & HDMI Audio Line-out x 1, Mic-in x 1 | 2 x Gigabit Ethernet (RJ-45) 1 x VGA & HDMI Audio Line-out x 1, Mic-in x 1 |
| | Stereo Speaker | 1 W x 2 | | |
| | Bus expansion | Full-size MiniPCIe/mSATA | | |
| | Mounting | VESA 100 x 100 mm | | |
| Dimensions (W x H x D) | 389.81 x 240.12 x 45.20 (mm) | | | |
| Weight | 4.85 kg (10.67 lb) | | | |
| OS Support | Windows XP/ XPE/ Embedded Windows 7/Embedded Windows 8 | Embedded Windows 7 32bit | Embedded Windows 7 /Embedded Windows 8/ Window 10 IoT Enterprise | |
| | | | | |
| Environmental Specifications | Operating Temperature | 0 ~ 40° C (32 ~ 104° F) | | |
| | Relative Humidity | 10 ~ 95% @ 40° C non-condensing | | |
| | Vibration | 0.5G | | |
| | Shock | 5 G peak acceleration (11 msec. duration) | | |
| | EMC/ Safety | CE, FCC, UL, CCC CB,BSMI | | |
| | Front Panel Protection | IP65/ NEMA4 Compliant | | |
| Power Supply | Input Rating | 12 V/5 A (60 W ITE Adapter) | 12 V/5 A (60 W ITE Adapter) | |
| | Power consumption | Typical 32W Max. 40W | Typical 40W Max. 50W | |
| LCD Display | Size/Type | 15.6" TFT LCD with LED backlight | | |
| | Max. Resolution | 1366 x 768 (FHD 1920 x 1080 Optional) | | |
| | Max. Color | 16.7M | | |
| | Pixel Pitch (um) | 252 x 252 | | |
| | Brightness (cd/m ²) | 400 | | |
| View Angle | 170°/160° | | | |
| Touch Screen Option (PE/RE/GE) | Type | Projected Capacitive. Analog Resistive 5-wires / Glass Panel | | |
| | Light Transmission | 90% ± 2% / 80% ± 5% / 90% | | |
| | Controller | USB Interface / USB Interface / - | | |

Dimensions

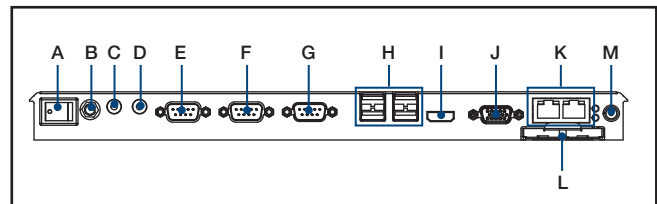
Unit: mm (inch)



Ordering Information

| Part No. | Description |
|----------------|---|
| UTC-515A-RE | 15.6" AMD T40E Based fanless UTC with Resi.T/S. 4 GB RAM |
| UTC-515A-PE | 15.6" AMD T40E Based fanless UTC with PCT.T/S. 4 GB RAM |
| UTC-515A-GE | 15.6" AMD T40E Based fanless UTC with Glass. 4 GB RAM |
| UTC-515B-RE | 15.6" ATOM D2550 Based fanless UTC with Resi.T/S. 4 GB RAM |
| UTC-515B-PE | 15.6" ATOM D2550 Based fanless UTC with PCT.T/S. 4 GB RAM |
| UTC-515B-GE | 15.6" ATOM D2550 Based fanless UTC with Glass. 4 GB RAM |
| UTC-515C-RE | 15.6" Intel Core i3 Based fanless UTC with Resi.T/S. 4 GB RAM |
| UTC-515C-PE | 15.6" Intel Core i3 Based fanless UTC with PCT.T/S. 4 GB RAM |
| UTC-515C-GE | 15.6" Intel Core i3 Based fanless UTC with Glass 4 GB RAM |
| 1702002605 | Power cord 2P FRANCE 10A/16A 220V 1.83M 90D |
| 1702002600 | Power Cord 3P UL/CSA(USA) 125V 10A 1.83M 180D |
| 1700000596 | Power Cord (China) CCC,10A 250V, 3P 1830mm |
| 1700018704 | Power Cord UK BS1 2P 10A 250V 180cm 18AWG |
| 1960060674N001 | IO Cover for UTC-515 series |

Fully- Integrated I/O



- A. Power switch
- B. Antenna Port
- C. Line-out
- D. Mic-in
- E. COM3 (UTC-515A/B only)
- F. COM2
- G. COM1
- H. USB 2.0 x 4
(USB 2.0 x 2, USB 3.0 x 2 for UTC-515C)
- I. HDMI
- J. VGA
- K. LAN Ports x 2
- L. CFast (UTC-515A/B only)
- M. DC Input

Side groove design for Flexible peripheral device



Peripherals for UTC-500 series

| Part No. | Description |
|-------------|--|
| UTC-P01-A1E | 5M Camera Module For UTC-5XX (USB connection) |
| UTC-P02-A0E | Magnet Strip Reader For UTC-5XX (USB connection) |
| UTC-P03-A0E | RFID Reader For UTC-5XX (USB connection) |
| UTC-P06-A0E | Smart Card Reader For UTC-5XX (USB connection) |
| UTC-P07-A1E | 1D/2D Barcode Reader For UTC-5XX (USB Connection) |
| UTC-P21-A0E | 4 in 1 Modules Barcode reader + RFID + Card reader + MSR |

Installation Accessory

| Part No. | Description |
|------------------|--|
| UTK-500F-A0E | Floor stand with SNBC BTP-U81 thermal printer (for China only) |
| UTK-500S-A0E | Floor stand without thermal printer |
| UTK-500G-A0E | Floor stand with thermal printer bracket |
| UTC-520-STAND1E | Desktop stand for UTC-515/520 |
| UTC-H01-STANDE | H-shaped floor stand |
| UTC-T01-STANDE | Triangle shape floor stand |
| UTC-WALL-MOUNT1E | Wall Mount kit for UTC-515/520 |
| UTC-WALL-MOUNT3E | Wall Mount kit for UTC-515/520 |