

UTC-515

15.6" Ubiquitous Touch Computer UTC-515G with Intel® Pentium® N4200 UTC-515F with Intel® Core™ i3-6100U UTC-515E with Intel® Core™ i5-4300U

NEW



Features

- Low power and fanless system design
- Built-in Intel® Pentium® N4200 (UTC-515G)
- Built-in Intel® Core™ i3-6100U (UTC-515F)
- Built-in Intel® Core™ i5-4300U (UTC-515E)
- 15.6" monitor with 16:9 widescreen display
- IP65-rated front panel for water and dust resistance
- All in one aluminum extrusion design
- Supports both landscape and portrait screen orientations
- VESA 100 mm standard mounting holes for varied mounting demands
- Side groove design for flexible peripheral installation



Introduction

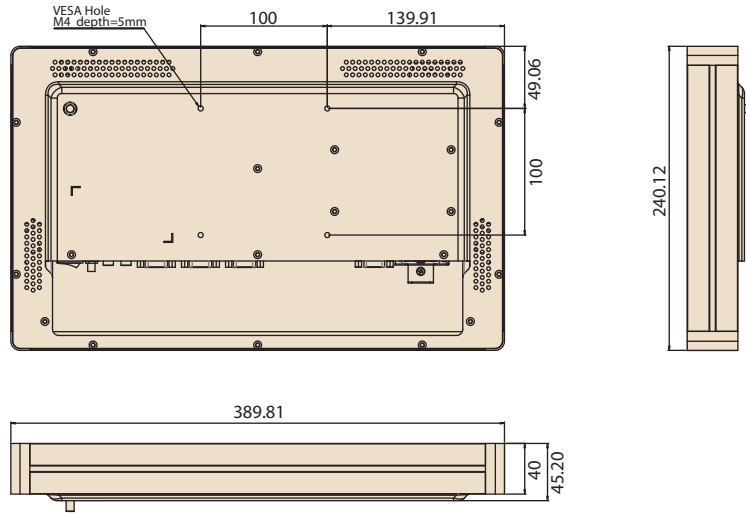
UTC-515 features an all-in-one computing system equipped with wide format, touch based LCD panel. It is easy to integrate key peripherals and display systems for diversified self-service and interactive signage deploy in different application areas. The systems deliver updated information with well-designed interactive interfaces, fully ensure relevant content and targeted promotions are delivered. UTC series touch panel computers are the best investments to enhance user satisfaction, further brand equity, and maximize business profits.

Specifications

| | Intel® Pentium® N4200 (UTC-515G) Intel® Atom® E3950 (Available)* | Intel® Core™ i3-6100U (UTC-515F) Intel® Core™ i5-6300U (Available)* Intel® Core™ i7-6600U (Available)* | Intel® Core™ i5-4300U (UTC-515E) Intel® Core™ i3-4010U (Available)* Intel® Celeron 2980U (Available)* | |
|--------------------------------|---|---|---|---|
| Processor System | CPU | Intel® Pentium® N4200 (UTC-515G) Intel® Atom® E3950 (Available)* | Intel® Core™ i3-6100U (UTC-515F) Intel® Core™ i5-6300U (Available)* Intel® Core™ i7-6600U (Available)* | Intel® Core™ i5-4300U (UTC-515E) Intel® Core™ i3-4010U (Available)* Intel® Celeron 2980U (Available)* |
| | Base Frequency | 1.1 GHz (N4200/Quad-Core) 1.6 GHz (E3950/Quad-Core) | 2.3 GHz (i3-6100U/Dual-Core) 3.0 GHz (i5-6300U/Dual-Core) 3.4 GHz (i7-6600U/Dual-Core) | 1.9 GHz (Dual-Core) |
| | Cache | L2 Cache 2MB | L3 Cache 3MB | L3 Cache 3MB |
| | Memory | 1 x 204 pin SO-DIMM DDR3L 1867 MHz up to 8GB | 2 x 204 pin SO-DIMM DDR3L 1600 MHz up to 16GB | 1 x 204 pin SO-DIMM DDR3L 1333 / 1600 MHz up to 8 GB |
| | HDD | 1 x 2.5 internal SATA HDD bay | | |
| | Network (LAN) | 2 x Gigabit Ethernet ports (Supports Wake on LAN) 2 x RS-232 COM (RS-422/485)* 2 x USB 2.0 / 2 x USB 3.0 | | |
| | I/O ports | 2 x Gigabit Ethernet (RJ-45) 1 x VGA 1 x HDMI Audio Line-out x 1, Mic-in x 1 | | |
| | Stereo Speaker | 1 W x 2 | | |
| | Bus expansion | Full-size MiniPCIe / M.2 | Full-size MiniPCIe / mSATA | |
| | Mounting | VESA 100 x 100 mm | | |
| Dimensions (W x H x D) | 389.81 x 240.12 x 45.20 (mm) | | | |
| Weight | 4.85 kg (10.67 lb) | | | |
| OS Support | Win 10 IoT Enterprise Android 6.0 Linux Ubuntu 17.04 | WES 7P 32bit WES 7E 32bit Windows Pro Embedded 7 SP1 64bit WES 8 64bit Windows Embedded 8.1 Industry Pro 64bit Win 10 IoT Enterprise Linux Ubuntu 16.04 | WES 7P 32bit WES 7E 32bit Windows Pro Embedded 7 SP1 64bit WES 8 64bit Windows Embedded 8.1 Industry Pro 64bit Win 10 IoT Enterprise Linux Ubuntu 16.04 | |
| | Operating Temperature | 0 ~ 40° C (32 ~ 104° F) | | |
| Environmental Specifications | Relative Humidity | 10 ~ 95% @ 40° C non-condensing | | |
| | Vibration | 0.5G | | |
| | Shock | 5G peak acceleration (11 msec. duration) | | |
| | Certification | CE, FCC, CB, UL, CCC, BSMI | | |
| | Front Panel Protection | IP65/ NEMA4 Compliant | | |
| Power Supply | Input Rating | 12 V/5 A (60 W ITE Adapter) | | |
| | Power consumption | Typical 35W Max. 40W | Typical 40W Max. 50W | |
| LCD Display | Size/Type | 15.6" TFT LCD with LED backlight | | |
| | Max.Resolution | 1366 x 768 (FHD 1920 x 1080 Optional) | | |
| | Max. Color | 16.7M | | |
| | Pixel Pitch (um) | 252 x 252 | | |
| | Brightness (cd/m²) | 400 | | |
| View Angle | 170°/160° | | | |
| Touch Screen Option (PE/RE/GE) | Type | Projected Capacitive. Analog Resistive 5-wires / Glass Panel | | |
| | Light Transmission | 90% ± 2% / 80% ± 5% / 90% | | |
| | Controller | USB Interface / USB Interface / - | | |

Dimensions

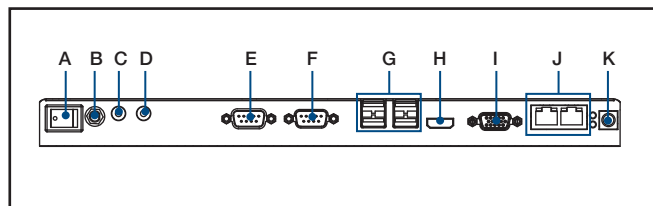
Unit: mm (inch)



Ordering Information

| Part No. | Description |
|-----------------|---|
| UTC-515GP-ATB0E | 15.6" Intel® Pentium® N4200 Based fanless UTC with PCT.T/S. 4 GB RAM |
| UTC-515GR-ATB0E | 15.6" Intel® Pentium® N4200 Based fanless UTC with Resi.T/S. 4 GB RAM |
| UTC-515GG-ATB0E | 15.6" Intel® Pentium® N4200 Based fanless UTC with Glass. 4 GB RAM |
| UTC-515FR-ATB0E | 15.6" Intel® Core™ i3-6100U Based fanless UTC with Resi.T/S. 4 GB RAM |
| UTC-515F-PE | 15.6" Intel® Core™ i3-6100U Based fanless UTC with PCT.T/S. 4 GB RAM |
| UTC-515FG-ATB0E | 15.6" Intel® Core™ i3-6100U Based fanless UTC with Glass. 4 GB RAM |
| UTC-515E-RE | 15.6" Intel® Core™ i5-4300U Based fanless UTC with Resi.T/S. 4 GB RAM |
| UTC-515E-PE | 15.6" Intel® Core™ i5-4300U Based fanless UTC with PCT.T/S. 4 GB RAM |
| UTC-515E-GE | 15.6" Intel® Core™ i5-4300U Based fanless UTC with Glass. 4 GB RAM |
| 1702002605 | Power cord 2P FRANCE 10A/16A 220V 1.83M 90D |
| 1702002600 | Power Cord 3P UL/CSA(USA) 125V 10A 1.83M 180D |
| 1700000596 | Power Cord (China) CCC, 10A 250V, 3P 1830mm |
| 1700018704 | Power Cord UK BSI 2P 10A 250V 180cm 18AWG |
| 1960060674N001 | IO Cover for UTC-515 series |

Fully- Integrated I/O



- A. Power switch
- B. Antenna Port
- C. Line-out
- D. Mic-in
- E. COM2
- F. COM1
- G. USB 3.0 x 2, USB 2.0 x 2
- H. HDMI
- I. VGA
- J. LAN Ports x 2
- K. DC Input

Side groove design for Flexible peripheral device



Peripherals for UTC-500 series

| Part No. | Description |
|-------------|---|
| UTC-P01-A1E | 5M Camera Module For UTC-5XX (USB connection) |
| UTC-P02-A0E | Magnet Strip Reader For UTC-5XX (USB connection) |
| UTC-P03-A0E | RFID Reader For UTC-5XX (USB connection) |
| UTC-P06-A0E | Smart Card Reader For UTC-5XX (USB connection) |
| UTC-P07-A4E | 2D Barcode Module (Honeywell) for UTC-500 Series (USB connection) |
| UTC-P09-A0E | Fingerprint reader for UTC-5xx (USB connection) |
| UTC-P21-A0E | 4 in 1 Modules Barcode reader + RFID + Card reader + MSR |

Installation Accessory

| Part No. | Description |
|------------------|--|
| UTK-500F-A0E | Floor stand with SNBC BTP-U81 thermal printer (for China only) |
| UTK-500S-A0E | Floor stand without thermal printer |
| UTK-500G-A0E | Floor stand with thermal printer bracket |
| UTC-520-STAND1E | Desktop stand for UTC-515/520 |
| UTC-H01-STANDE | H-shaped floor stand |
| UTC-S01-STAND | Desk Stand for 100 X 100 / 75 X 75 mm |
| UTC-T01-STANDE | Triangle shape floor stand |
| UTC-WALL-MOUNT1E | Wall Mount kit for UTC-515/520 |
| UTC-WALL-MOUNT3E | Wall Mount kit for UTC-515/520 |