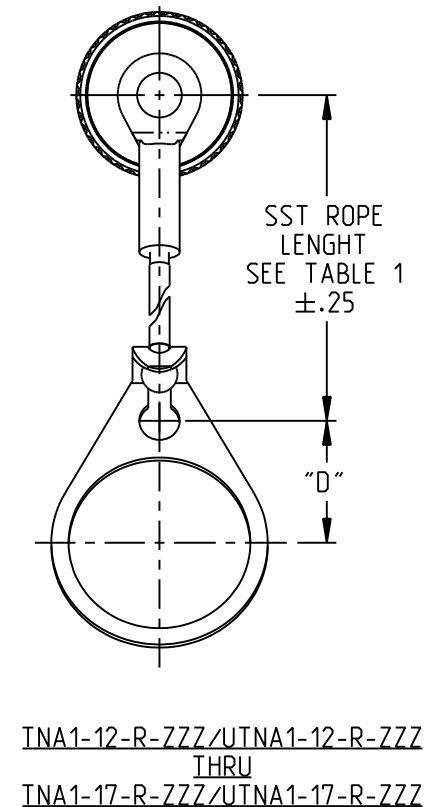
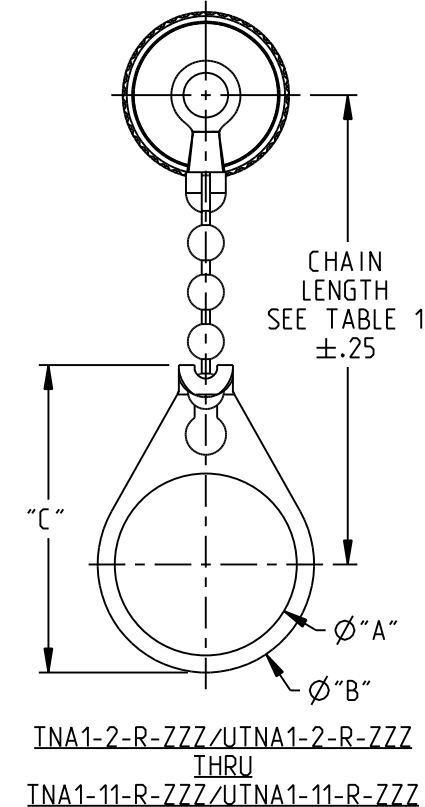
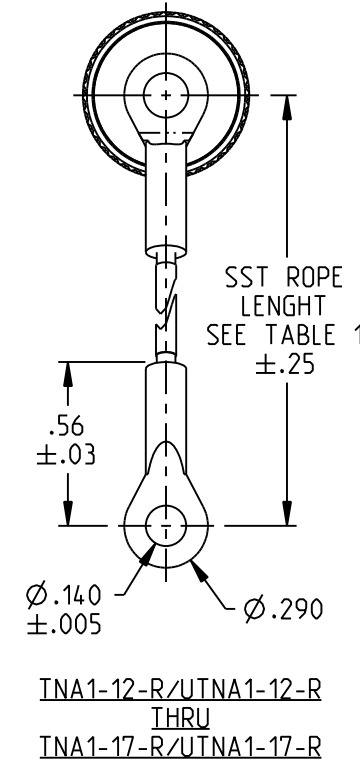
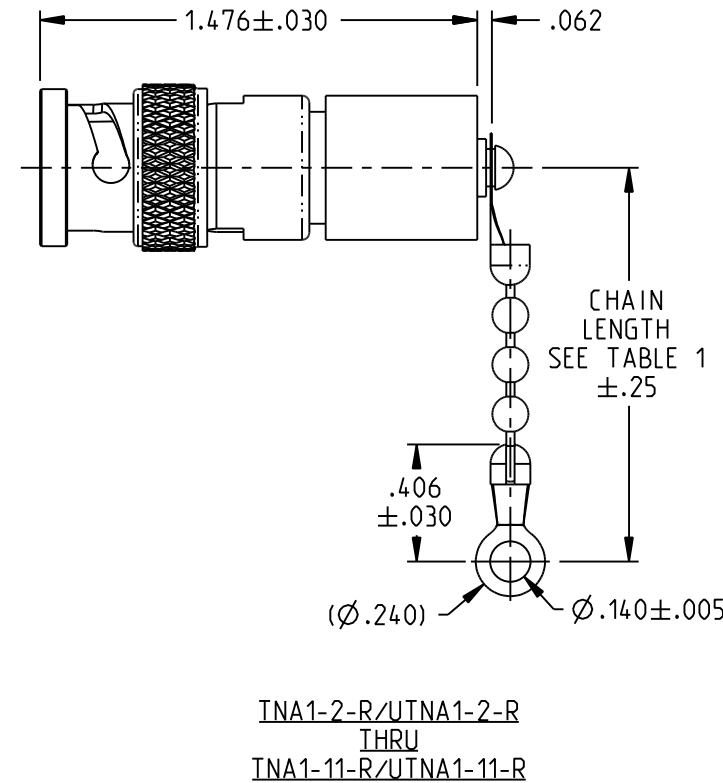
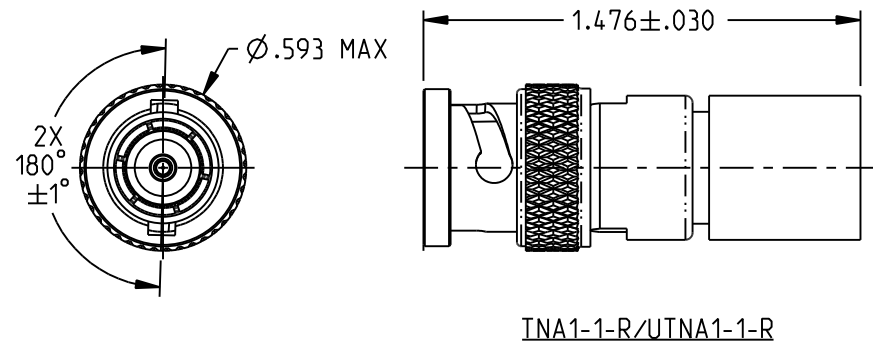
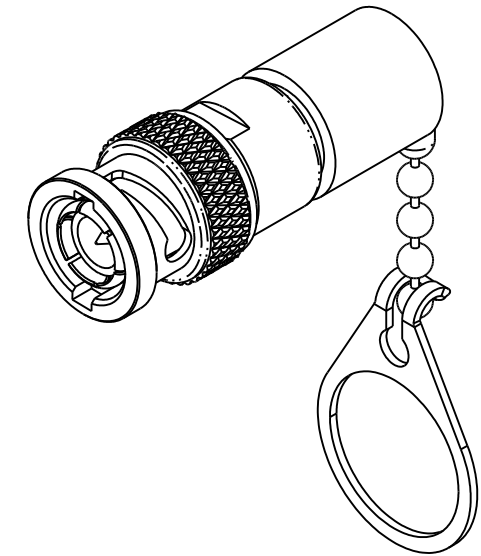


TABLE 1	
MODEL NUMBER	LANYARD MATERIAL & LENGTH
TNA1-1-R & UTNA1-1-R	CAP ONLY (NO LANYARD)
TNA1-2-R & UTNA1-2-R	2.5 BRASS BEAD CHAIN
TNA1-3-R & UTNA1-3-R	2.5 NYLON BEAD CHAIN
TNA1-4-R & UTNA1-4-R	3.0 BRASS BEAD CHAIN
TNA1-5-R & UTNA1-5-R	3.0 NYLON BEAD CHAIN
TNA1-6-R & UTNA1-6-R	6.0 BRASS BEAD CHAIN
TNA1-7-R & UTNA1-7-R	6.0 NYLON BEAD CHAIN
TNA1-8-R & UTNA1-8-R	4.0 BRASS BEAD CHAIN
TNA1-9-R & UTNA1-9-R	4.0 NYLON BEAD CHAIN
TNA1-10-R & UTNA1-10-R	10.0 BRASS BEAD CHAIN
TNA1-11-R & UTNA1-11-R	10.0 NYLON BEAD CHAIN
TNA1-12-R & UTNA1-12-R	2.5 STAINLESS STEEL ROPE
TNA1-14-R & UTNA1-13-R	3.0 STAINLESS STEEL ROPE
TNA1-14-R & UTNA1-14-R	6.0 STAINLESS STEEL ROPE
TNA1-15-R & UTNA1-15-R	4.0 STAINLESS STEEL ROPE
TNA1-16-R & UTNA1-16-R	7.0 STAINLESS STEEL ROPE
TNA1-17-R & UTNA1-17-R	4.5 STAINLESS STEEL ROPE

TABLE 2					
MODEL NUMBER	Ø"A"	Ø"B"	"C"	"D"	
TNA1-2-R-D2 THRU TNA1-17-R-D2 UTNA1-2-R-D2 THRU UTNA1-17-R-D2	.630	.750	1.066	.450	
TNA1-2-R-D3 THRU TNA1-17-R-D3 UTNA1-2-R-D3 THRU UTNA1-17-R-D3	.505	.625	.941	.388	
TNA1-2-R-D4 THRU TNA1-17-R-D4 UTNA1-2-R-D4 THRU UTNA1-17-R-D4	.439	.562	.878	.355	
TNA1-2-R-D5 THRU TNA1-17-R-D5 UTNA1-2-R-D5 THRU UTNA1-17-R-D5	.380	.500	.816	.325	
TNA1-2-R-D6 THRU TNA1-17-R-D6 UTNA1-2-R-D6 THRU UTNA1-17-R-D6	.317	.437	.753	.295	
TNA1-2-R-D7 THRU TNA1-17-R-D7 UTNA1-2-R-D7 THRU UTNA1-17-R-D7	.281	.406	.722	.278	
TNA1-2-R-D8 THRU TNA1-17-R-D8 UTNA1-2-R-D8 THRU UTNA1-17-R-D8	.610	.750	1.066	.450	
TNA1-2-R-D9 THRU TNA1-17-R-D9 UTNA1-2-R-D9 THRU UTNA1-17-R-D9	.567	.687	1.003	.419	
TNA1-2-R-D10 THRU TNA1-17-R-D10 UTNA1-2-R-D10 THRU UTNA1-17-R-D10	.192	.312	.628	.231	
TNA1-2-R-DD8 THRU TNA1-17-R-DD8 UTNA1-2-R-DD8 THRU UTNA1-17-R-DD8	.330	.450	.766	.300	

TABLE 3		
MODEL NUMBER	INTERFACE IMPEDANCE	RESISTANCE (OHMS)
TNA1-YY-50-ZZZ	50	50
TNA1-YY-75-ZZZ	50	75
TNA1-YY-95-ZZZ	50	95
TNA1-YY-150-ZZZ	50	150
TNA1-YY-200-ZZZ	50	200
TNA1-YY-S-ZZZ	50	0 (SHORT)
TNA1-YY-0-ZZZ	50	KIT
UTNA1-YY-75-ZZZ	75	75

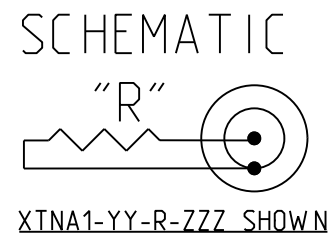
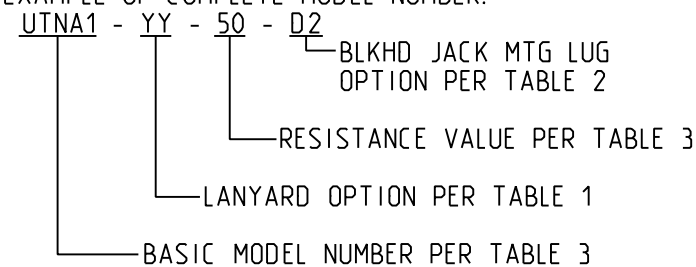


NOTES: UNLESS OTHERWISE SPECIFIED.

1. MATERIAL & FINISH:

- 1.1 BAYONET SLEEVE: NICKEL PLATED BRASS
- 1.2 GASKET: SILICONE RUBBER
- 1.3 DRIVE SCREW: PASSIVATED STAINLESS STEEL
- 1.4 BEAD CHAIN ASSY:
  - 1.4.1 NICKEL PLATED BRASS
  - 1.4.2 NYLON, WHITE
  - 1.4.3 #6 END RING: NICKEL PLATED BRASS
- 1.5 STAINLESS STEEL ROPE ASSY:
  - 1.5.1 CABLE: STAINLESS STEEL COVERED w/BLACK NYLON JACKET
  - 1.5.2 END RING: PASSIVATED STAINLESS STEEL
- 1.6 BULKHEAD MOUNTING LUG: NICKEL PLATED BRASS

2. EXAMPLE OF COMPLETE MODEL NUMBER:



XTNA1-YY-R-ZZZ SHOWN



TNA1-YY-S-ZZZ SHOWN



TNA1-YY-0-ZZZ SHOWN

<p>NOTICE: The information in this drawing is PROPRIETARY and must not be used without the permission of Cinch Connectivity Solutions. It may contain data whose export is restricted. Verify status prior to exporting.</p> <p>INTERPRET DRAWING IN ACCORDANCE WITH ASME Y14.5-2018</p>	<p>3RD ANGLE PROJECTION</p> <p>RoHS2 2015/863/EU</p> <p>UNLESS OTHERWISE SPECIFIED UNITS: INCH</p> <p>.XX ±.02 .XXX ±.010 ANGLES ±2</p>	<p>Title: TROMPETER</p> <p>BNC PLUG TERMINATION</p> <p>Model No. XTNA1-YY-R-ZZZ</p> <p>Size B DO NOT SCALE DRAWING Date: 6/5/2023 Sheet 1 OF 1</p>
------------------------------------------------------------------------------------------------------------------------------------------------------------------------------------------------------------------------------------------------------------------------------------------	-------------------------------------------------------------------------------------------------------------------------------------------------	----------------------------------------------------------------------------------------------------------------------------------------------------