

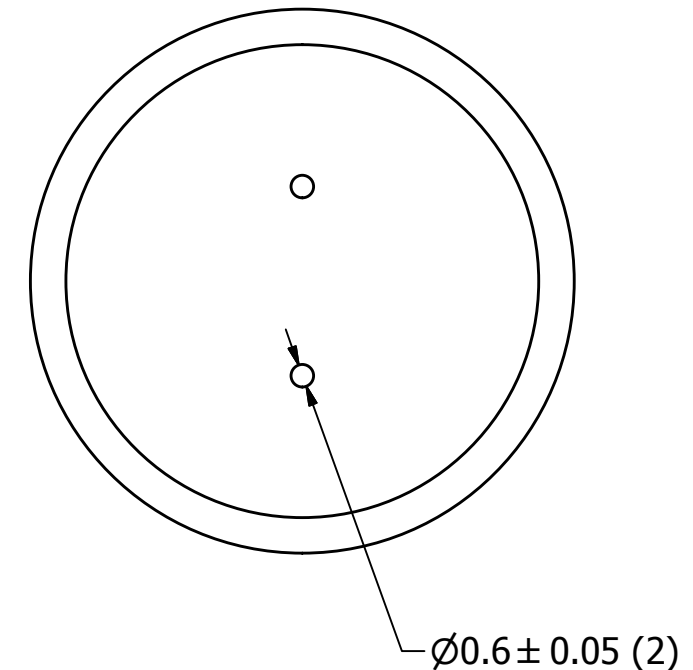
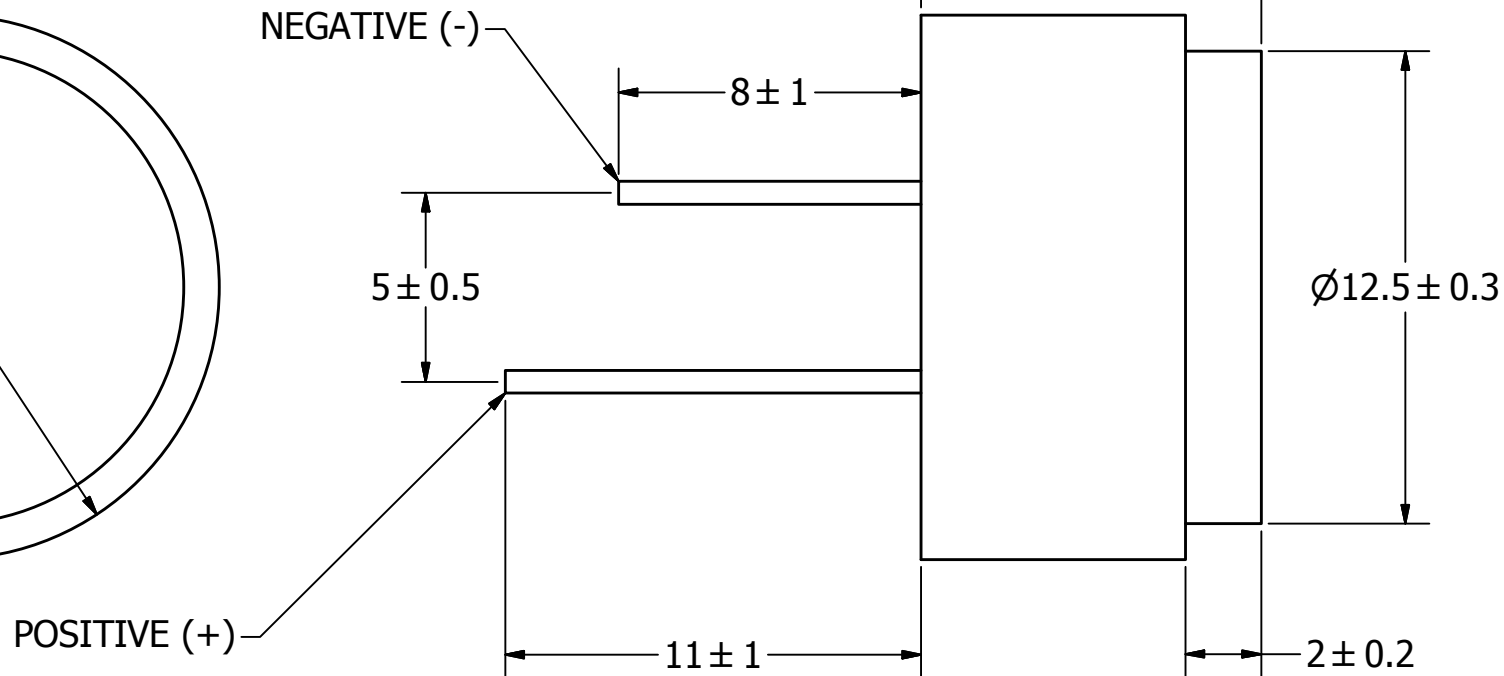
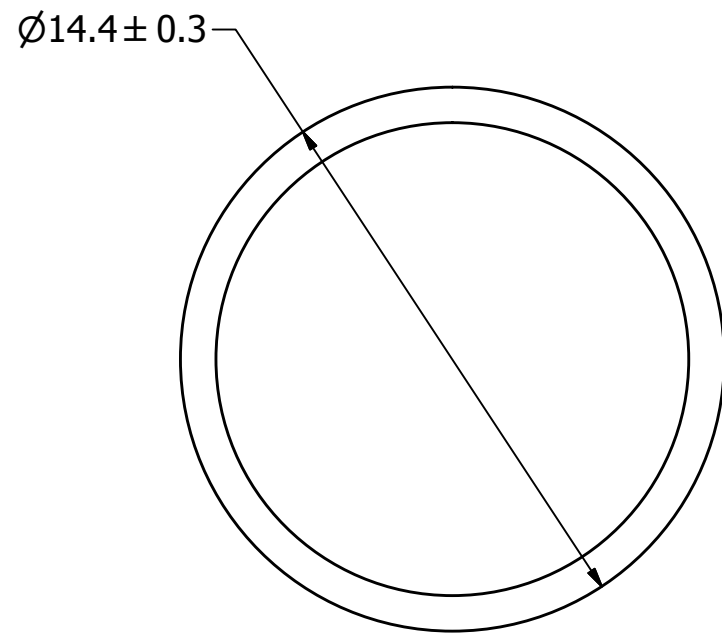
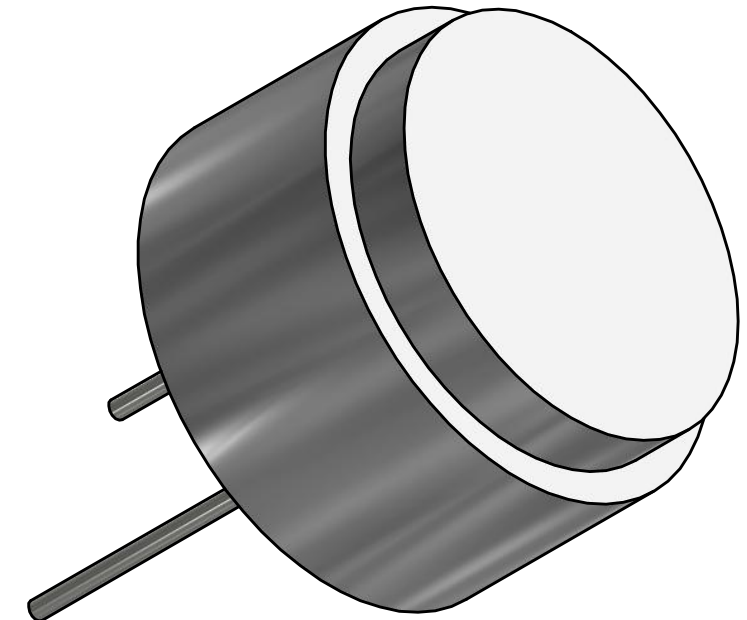
SPECIFICATIONS

PARAMETERS	VALUES	UNIT
DRIVE VOLTAGE	140	VP-P
CAPACITANCE	1,800 ±15%	pF
ECHO SENSITIVITY	≥200	mV
DECAY TIME	≤1.2	mS
CENTER FREQUENCY	40,000 ±700	Hz
DIRECTIVITY	70° ±15°	-
OPERATING TEMPERATURE	-40 ~ +80	°C
STORAGE TEMPERATURE	-40 ~ +85	°C
TERMINAL MATERIAL	Sn PLATED COPPER	-
HOUSING MATERIAL	ALUMINUM	
WEIGHT	4.8	grams

THIS DOCUMENT CONTAINS DATA PROPRIETARY TO PROJECTS UNLIMITED, INC. ANY USE OR REPRODUCTION, IN ANY FORM, WITHOUT PRIOR WRITTEN PERMISSION OF PROJECTS UNLIMITED, INC. IS PROHIBITED.
©2003, Projects Unlimited Inc.

REVISION HISTORY

LTR	DESCRIPTION	DATE	APPROVED
-	RELEASED FROM ENGINEERING	6/1/2016	
A	ADDED HOUSING MATERIAL	6/7/2017	M.V.



NOTES:

1. ALL DIMENSIONS ARE IN MILLIMETERS.
2. SPECIFICATIONS SUBJECT TO CHANGE OR WITHDRAWL WITHOUT NOTICE.
3. THIS PART IS RoHS 2011/65/EU COMPLIANT.
4. THIS PART MEETS IP65 WATER AND DUST INGRESS STANDARDS.

UNLESS OTHERWISE SPECIFIED:
ALL PURCHASES ARE SUBJECT TO AND INCORPORATE THE PUI AUDIO TERMS AND CONDITIONS SALE FOUND AT http://www.puiaudio.com/pdf/terms_conditions.pdf (paper copy available upon request).
DIMENSIONS ARE IN MILLIMETERS, TOLERANCES ARE ±0.5 AND ANGLES ARE ±3°.

UTR-1440K-TT-R.idw

SIZE
A3

Designed by	Date	Checked by	Date	Approved by	Date	Drawn Date
M.V.	6/1/2016	M.V.	6/1/2016	B.R.	6/1/2016	6/1/2016



UTR-1440K-TT-R

Ultrasonic Xmr/Receiver

Edition
-
Sheet
1 / 1