

PART NAME	SEE-THRU DOOR	PART No.	V-9770-L thru V-9776-L	REV. DATE	2-10-10
-----------	---------------	----------	------------------------	-----------	---------

MATERIAL:

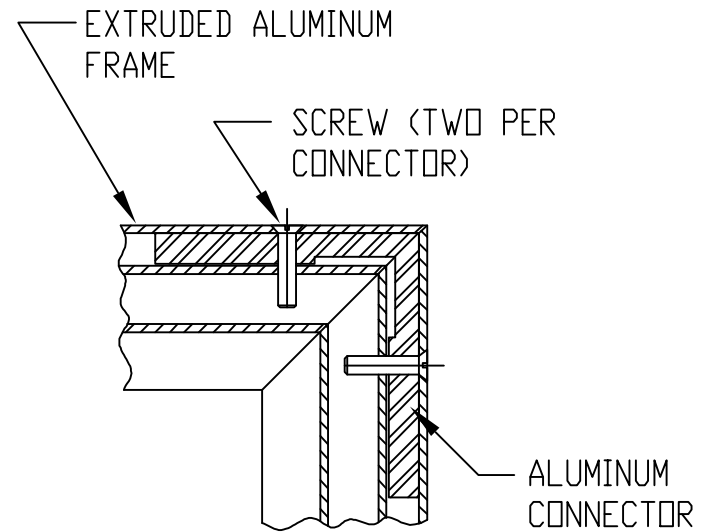
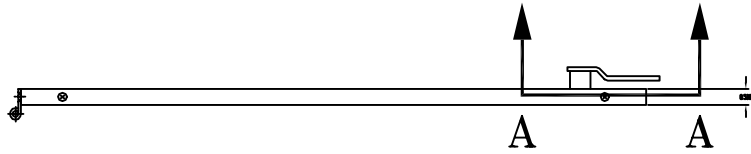
DOOR FRAME _____ ALUMINUM EXTRUSION
 DOOR PANEL _____ 0.187 THICK PLEXIGLAS
 WASHER _____ 20 GA. STAINLESS STEEL
 HINGES _____ 14 GA. STEEL
 STRIKER _____ 11 GA. STAINLESS STEEL

FINISH:

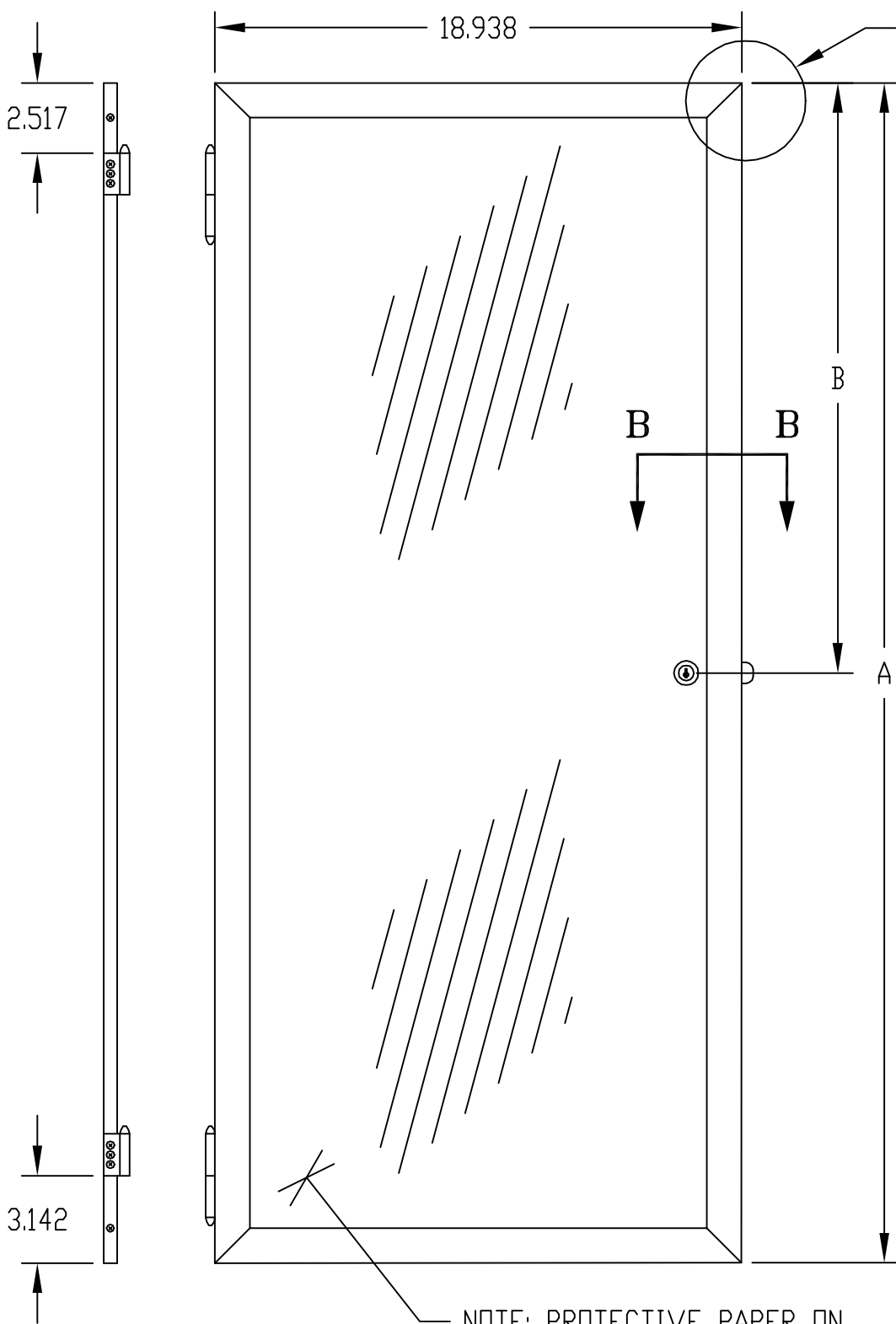
DOOR FRAME _____ CLEAR ANODIZED
 DOOR PANEL _____ SMOKE GRAY
 STRIKER, WASHER _____ NATURAL
 HINGES _____ METALLIC GRAY

DOOR:

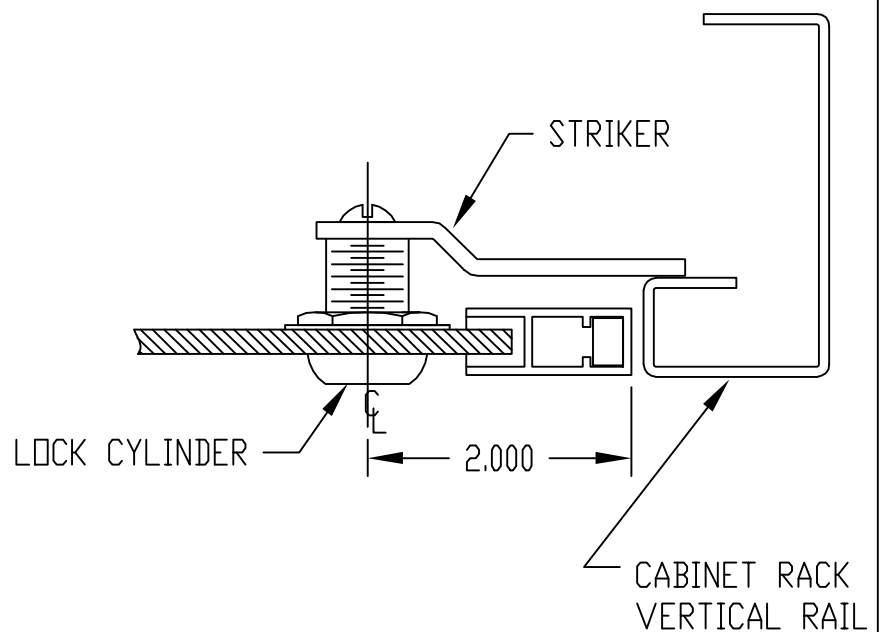
- CLEARS PANEL SPACE WHEN OPENED 90° OR MORE
- IS HELD CLOSED WITH LOCK
- FITS SERIES 60 UPRIGHT CABINET RACKS AND SERIES 2000 CABINET RACKS



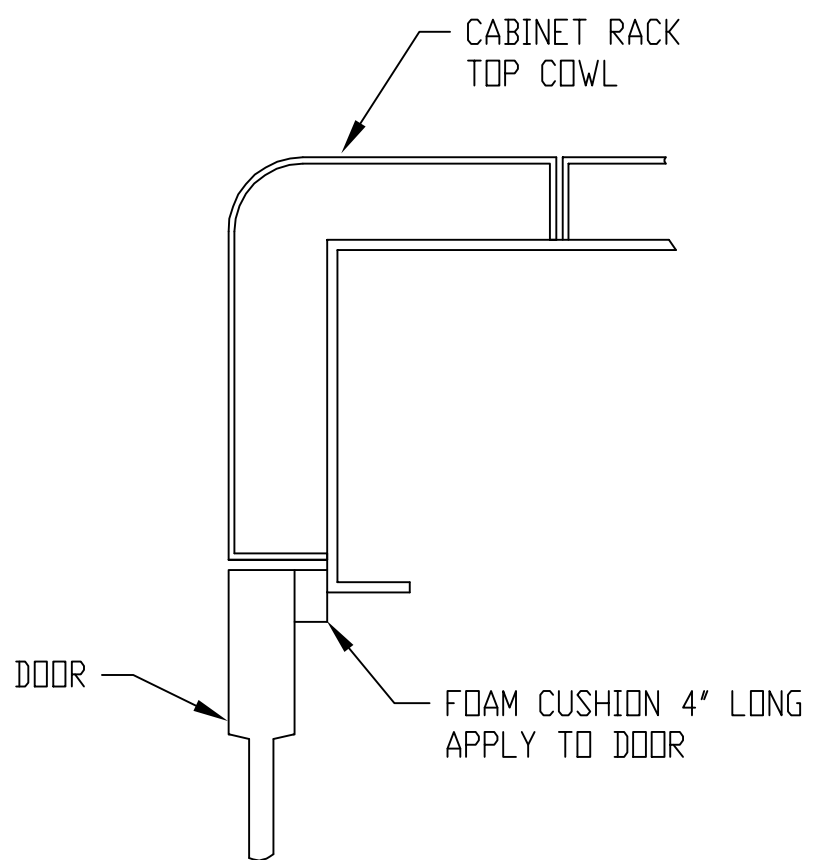
SECTION "A-A"



NOTE: PROTECTIVE PAPER ON BOTH SIDES OF PLEXIGLAS



SECTION "B-B"



DETAIL "C"

PART NO. LOCKING	HEIGHT A	B	RACK VERTICAL PANEL SPACE
V-9770-L	21.407	10.719	21.000
V-9771-L	31.907	15.969	31.500
V-9772-L	42.407	21.219	42.000
V-9773-L	52.907	26.469	52.500
V-9774-L	61.657	30.844	61.250
V-9775-L	70.407	35.219	70.000
V-9776-L	79.157	39.594	78.750