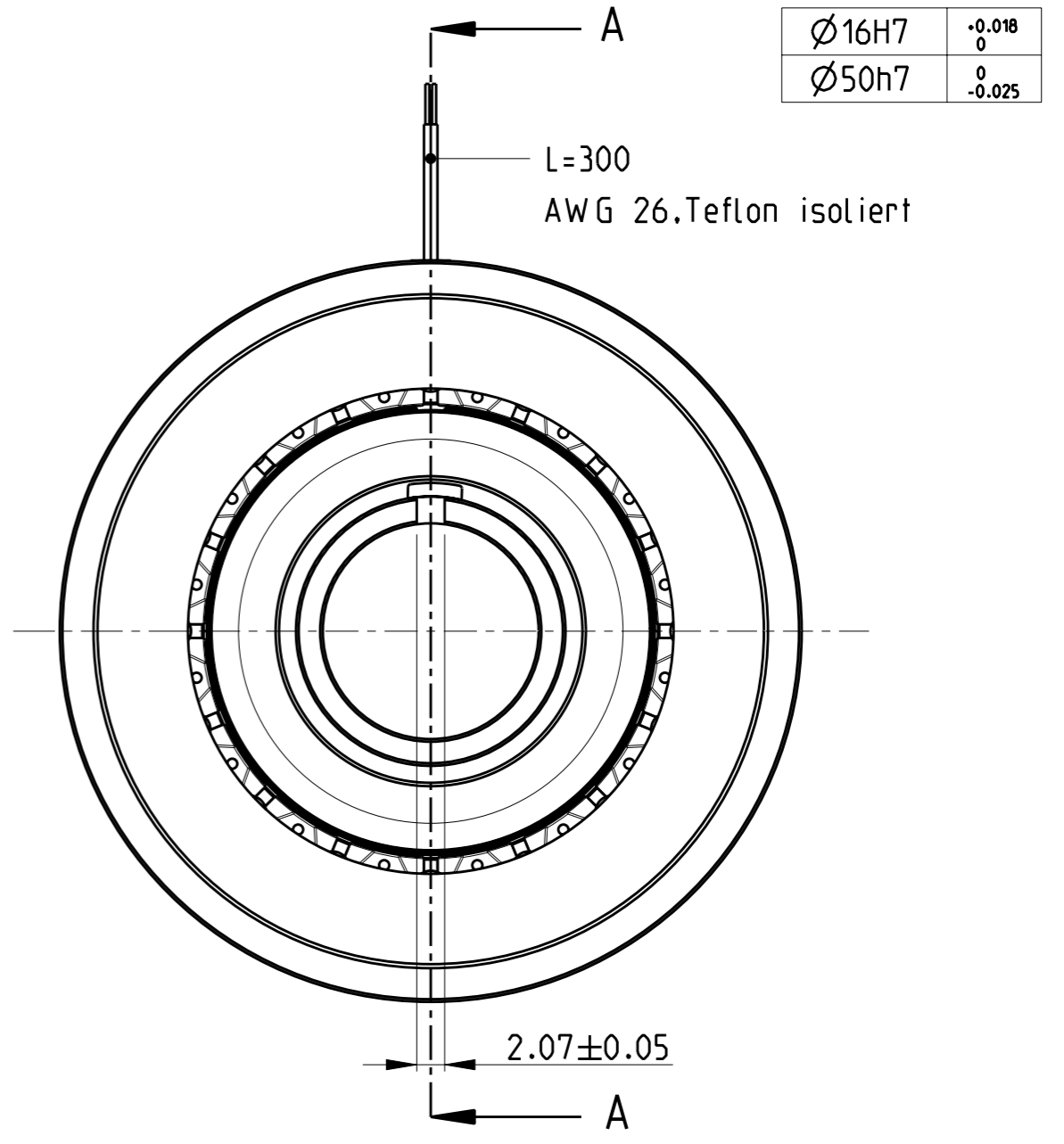
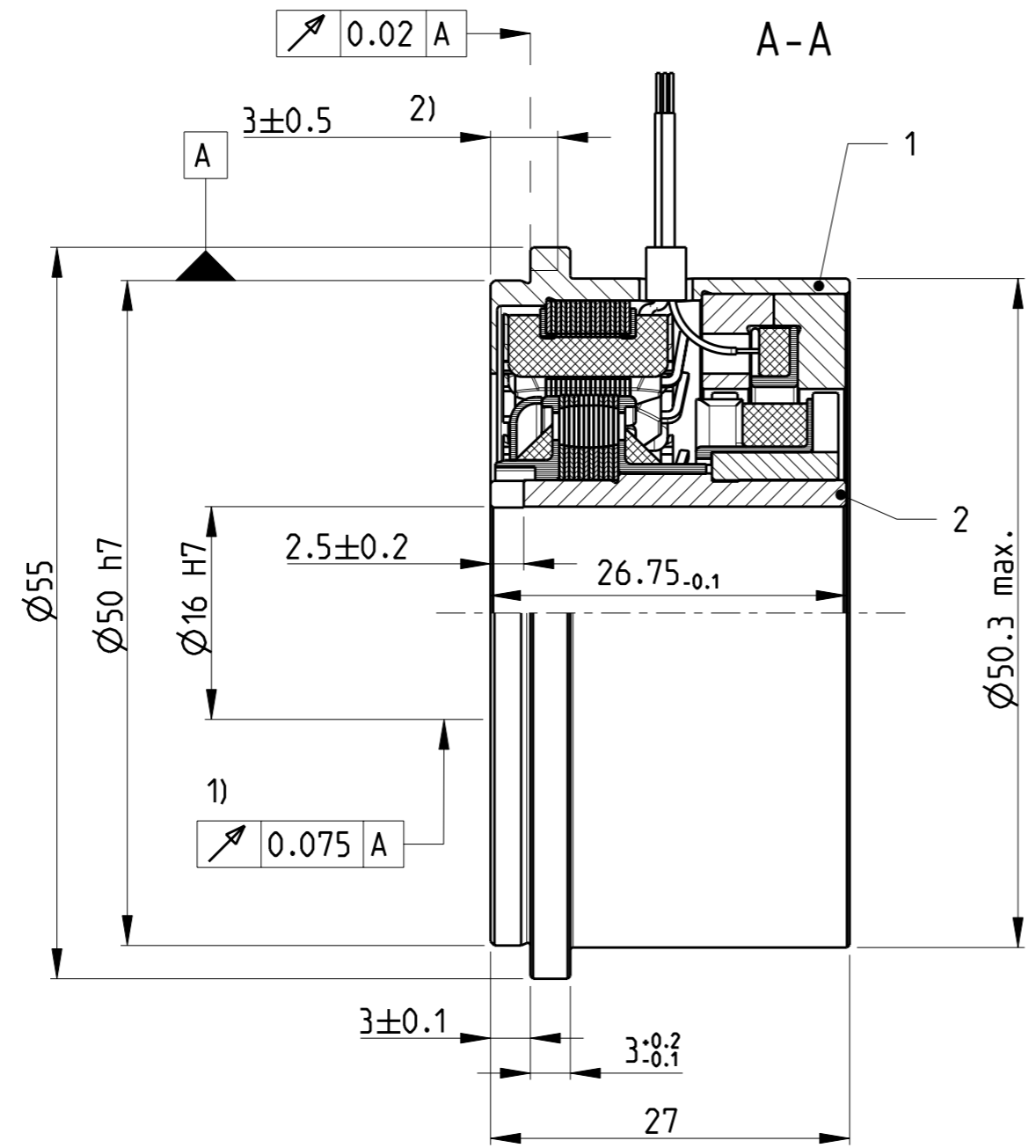
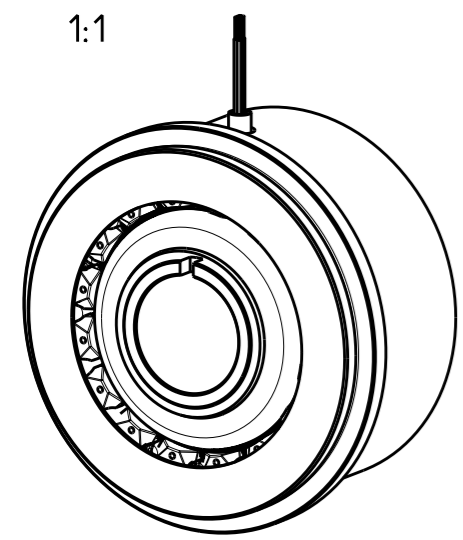


THIS DRAWING IS UNPUBLISHED. RELEASED FOR PUBLICATION 2005  
 © COPYRIGHT 2005 BY TYCO ELECTRONICS CORPORATION. ALL RIGHTS RESERVED.

| LOC | DIST | REVISIONS     |             |     |      |
|-----|------|---------------|-------------|-----|------|
| P   | LTR  | DESCRIPTION   | DATE        | DWN | APVD |
| A1  | -    | New Drawing   | 25AUG2005   | Kr  | An   |
| A2  | -    | ECR-06-017801 | 24 JUL 2006 | Kr  | An   |
| C1  | -    | ECR-09-018278 | 20OCT2009   | Ma  | An   |

| Signal | Aderfarbe  |
|--------|------------|
| S1     | rot        |
| S2     | gelb       |
| S3     | schwarz    |
| S4     | blau       |
| R1     | rot-weiss  |
| R2     | gelb-weiss |



1) Gesamtschlag im eingebauten Zustand  
 2) Axialversatz

| ITEM NO   | PARTNUMBER  | DESCRIPTION                   | ITEM NO |
|---|-------------|-------------------------------|---------|
| 1   | 1-1824348-0 | Rotor kpl. / Bauform B2 (12N) | 2       |
| 1   | 1-1824206-0 | Gehäuse kpl. / Bauform T2     | 1       |
| 1-1824402-0   | PARTNUMBER  | DESCRIPTION                   | ITEM NO |
| REVISION OF EACH ASSY NO. (WHEN BLANK, USE DWG. REVISION) |             |                               |         |
| PARTS LIST  |             |                               |         |

| DIMENSIONS: |   | TOLERANCES UNLESS OTHERWISE SPECIFIED: |   |
|-------------|---|--|---|
| mm          |   | 0 PLC                                  | ± |
|             |   | 1 PLC                                  | ± |
|             |   | 2 PLC                                  | ± |
|             |   | 3 PLC                                  | ± |
|             |   | 4 PLC                                  | ± |
|             |   | ANGLES                                 | ± |
| MATERIAL    | - | FINISH                                 | - |

|                  |        |             |                                       |               |
|------------------|--------|-------------|---------------------------------------|---------------|
| DWN              | Kraus  | 03MAY2005   | <b>tyco</b> tyco Electronics AMP GmbH |               |
| CHK              | -      | -           | <b>Electronics</b> D - 67346 Speyer   |               |
| APVD             | Andrae | 24 JUL 2006 | NAME                                  |               |
| PRODUCT SPEC     | -      | -           | Massbild Hohlwellendrehmelder         |               |
| APPLICATION SPEC | -      | -           | Dimensional Drawing Resolver          |               |
| WEIGHT           | -      | -           | SIZE                                  | RESTRICTED TO |
| CUSTOMER DRAWING |        | A3          | 00779                                 | -             |
| SCALE            |        | 2:1         | DRAWING NO                            | C-4-1393048-3 |
| SHEET            |        | 1           | OF                                    | 1             |
| REV              |        | C1          |                                       |               |