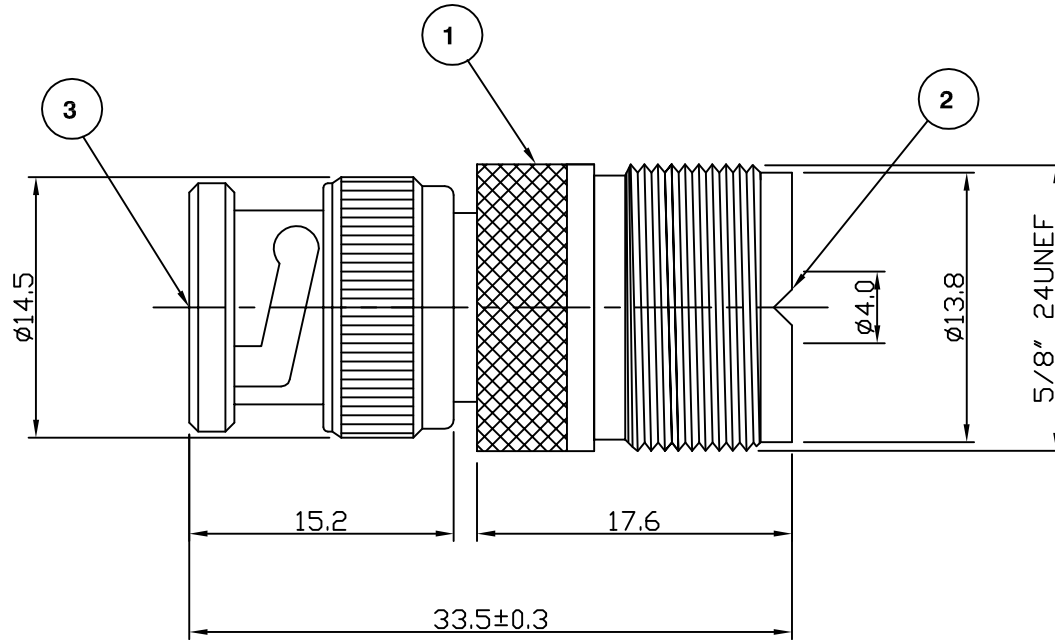


RoHS COMPLIANT



Electrical Characteristics

Nominal Impedance: Non-constant
 Frequency Range: DC to 300 MHz
 Operating Voltage (rms): 500 V maximum at sea level
 Dielectric Withstand Voltage (rms): 1500 V maximum at sea level
 Insulation Resistance: 500 megohms minimum

Mechanical Characteristics

Mating Cycles: 500 cycles minimum
 Interface Dimensions: Conform to MIL-C-39012

Environmental Characteristics

Temperature Range: -55 °C to +85 °C

PART	DESCRIPTION
1	Body Brass, nickel plated
2	Dielectric POM
3	Contact Brass, gold plated

CAD Issue	SN	2	02 Oct 02
First Issue	SN	1	10 May 01
DESCRIPTION OF REVISION	APPVD	ISS	DATE



Cinch Connectivity Solutions
 7-13 Russel Way,
 Widford Industrial Estate,
 Chelmsford, Essex,
 CM1 3AA, UK.
 Tel: +44 (0) 1245 359515
 Fax: +44 (0) 1245 358938

SCALE: Not To Scale

DIMENSIONS: mm

TOLERANCES:
 ± 0.2mm unless
 otherwise stated

DRAWN BY:

S Nash

CHECKED BY:

P Couzens

APPROVED BY:

P Couzens

DATE:

02 Oct 02

TITLE:

BNC Plug to UHF Jack

PART NUMBER:

VA205

PAGE: 1 of 1