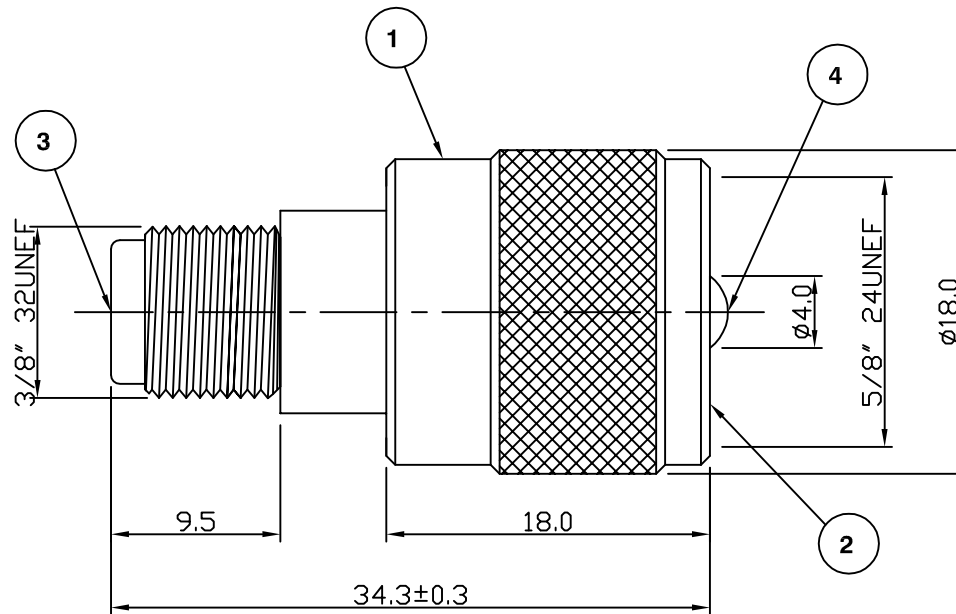


RoHS COMPLIANT



**Electrical Characteristics**

Nominal Impedance: Non Constant  
 Frequency Range: DC to 300 MHz

**Mechanical Characteristics**

Mating Cycles: 200 cycles minimum

**Environmental Characteristics**

Temperature Range: -55 °C to +85 °C

PART	DESCRIPTION
1	Body Brass, nickel plated
2	Dielectric POM
3	Dielectric Polypropylene
4	Contact Brass, nickel plated

First Issue	SN	1	02 Oct 02
DESCRIPTION OF REVISION	APPVD	ISS	DATE



Cinch Connectivity Solutions  
 7-13 Russell Way,  
 Widford Industrial Estate,  
 Chelmsford, Essex,  
 CM1 3AA, UK.  
 Tel: +44 (0) 1245 359515  
 Fax: +44 (0) 1245 358938

SCALE: Not To Scale

DIMENSIONS: mm

TOLERANCES:  
 ± 0.2mm unless  
 otherwise stated

DRAWN BY:

S Nash

CHECKED BY:

P Couzens

APPROVED BY:

P Couzens

DATE:

02 Oct 02

TITLE:

UHF Plug to F Jack

PART NUMBER:

VA215

PAGE: 1 of 1