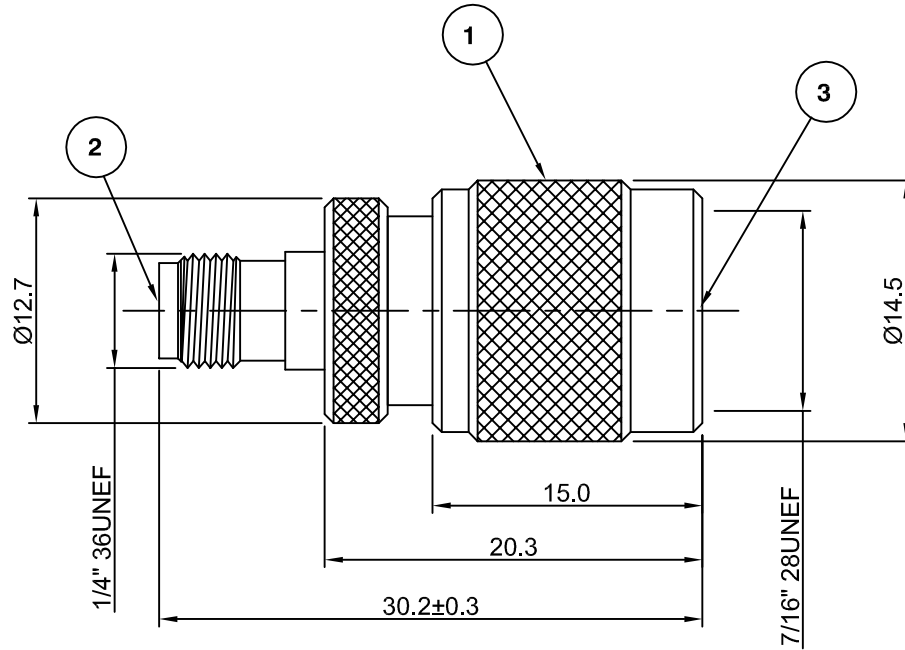


RoHS COMPLIANT



Electrical Characteristics

Nominal Impedance: 50 ohms
 Frequency Range: DC to 4 GHz
 Insertion Loss: 0.2 dB at 4 GHz
 Operating Voltage (rms): 500 V maximum at sea level
 Dielectric Withstand Voltage (rms): 1500 V maximum at sea level
 Contact Resistance: 3.0 milliohms maximum
 Insulation Resistance: 5000 megohms minimum

Mechanical Characteristics

Mating Cycles: 500 cycles minimum
 Interface Dimensions: Conform to MIL-C-39012

Environmental Characteristics

Temperature Range: -65 °C to +165 °C

PART	DESCRIPTION	
1	Body	Brass, nickel plated
2	Dielectric	PTFE
3	Contact	Phosphor bronze, gold plated

Dimensional Update	JT	4	25 May 10
Updated Dimensions	BT	3	04 Aug 08
CAD Issue	SN	2	12 Oct 01
First Issue	SN	1	24 April 01
DESCRIPTION OF REVISION	APPVD	ISS	DATE



Cinch Connectivity Solutions.
 7-13 Russel Way,
 Widford Industrial Estate,
 Chelmsford, Essex,
 CM1 3AA, UK.
 Tel: +44 (0) 1245 359515
 Fax: +44 (0) 1245 358938

SCALE: Not To Scale

DIMENSIONS: mm

TOLERANCES:
 ± 0.2mm unless
 otherwise stated

DRAWN BY:

S Nash

CHECKED BY:

S Nash

APPROVED BY:

G Dalton

DATE:

12 Oct 01

TITLE:

SMA Jack to TNC Plug

PART NUMBER:

VA517

PAGE: 1 of 1