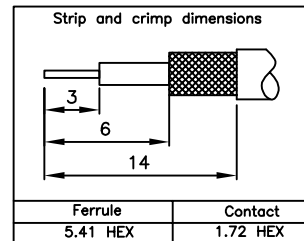
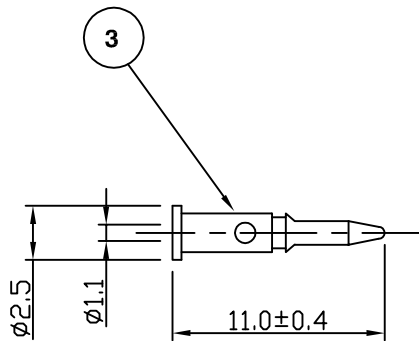
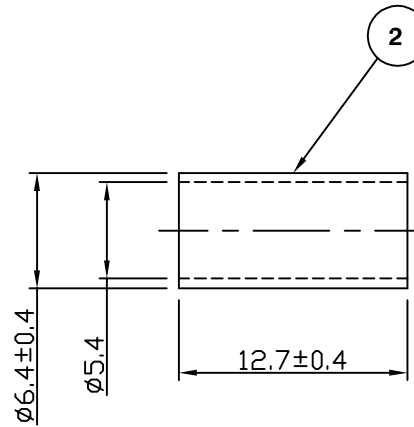
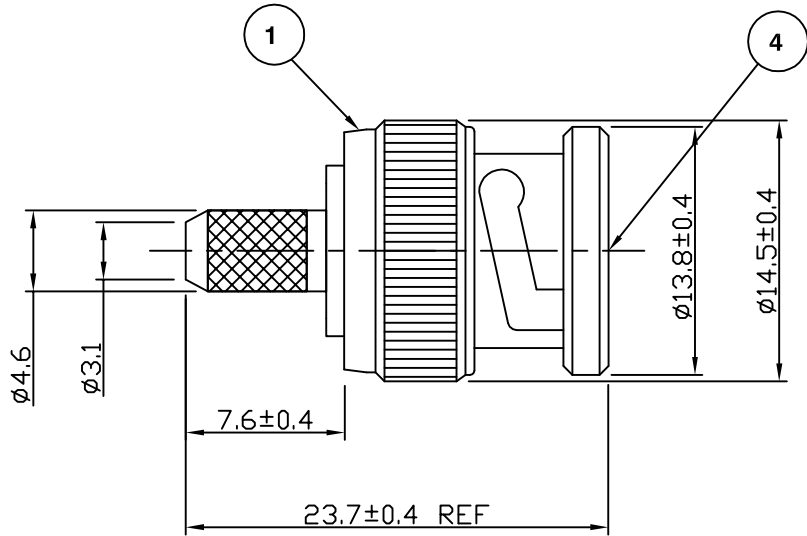


RoHS COMPLIANT



For stripping and assembly instructions see Drawing Number: VAIB1101

**Electrical Characteristics**

Nominal Impedance:	50 ohms
Frequency Range:	DC to 4 GHz
VSWR:	1.3:1 maximum
Insertion Loss:	0.2 dB at 3 GHz
Operating Voltage (rms):	500 V maximum at sea level
Dielectric Withstand Voltage (rms):	1500 V maximum at sea level
Contact Resistance:	1.5 milliohms maximum
Insulation Resistance:	5000 megohms minimum

**Mechanical Characteristics**

Mating Cycles:	500 cycles minimum
Interface Dimensions:	Conform to MIL-C-39012

**Environmental Characteristics**

Temperature Range:	-55 °C to +85 °C
--------------------	------------------

PART	DESCRIPTION
1	Body Brass, nickel plated 2.54 μm
2	Ferrule Brass, nickel plated 2.54 μm
3	Contact Brass, gold plated 0.076 μm - 0.127 μm
4	Dielectric Delrin

DESCRIPTION OF REVISION	APPVD	ISS	DATE
Drawing update	JT	7	14 April 10
Measurements updated	KA	6	13 Aug 07
Change of Supplier (15-01-06)	RP	5	12 Jan 07
CAD Issue	SN	4	18 Jan 02
Change of flange on contact	AT	3	30 Oct 98
Tidied up	AT	2	02 Nov 95
First Issue	AT	1	27 April 92



Cinch Connectivity Solutions  
7-13 Russel Way,  
Widford Industrial Estate,  
Chelmsford, Essex,  
CM1 3AA, UK.  
Tel: +44 (0) 1245 359515  
Fax: +44 (0) 1245 358938

SCALE: Not To Scale

DIMENSIONS: mm

TOLERANCES:  
± 0.2mm unless  
otherwise stated

DRAWN BY:	S Nash
CHECKED BY:	S Nash
APPROVED BY:	M Nielsen
DATE:	18 Jan 02

TITLE:  
BNC Crimp Plug for RG58

PART NUMBER:  
**VB10-2051**

PAGE: 1 of 1