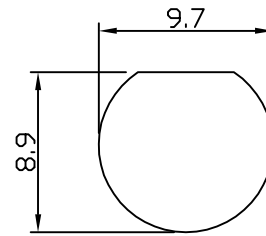
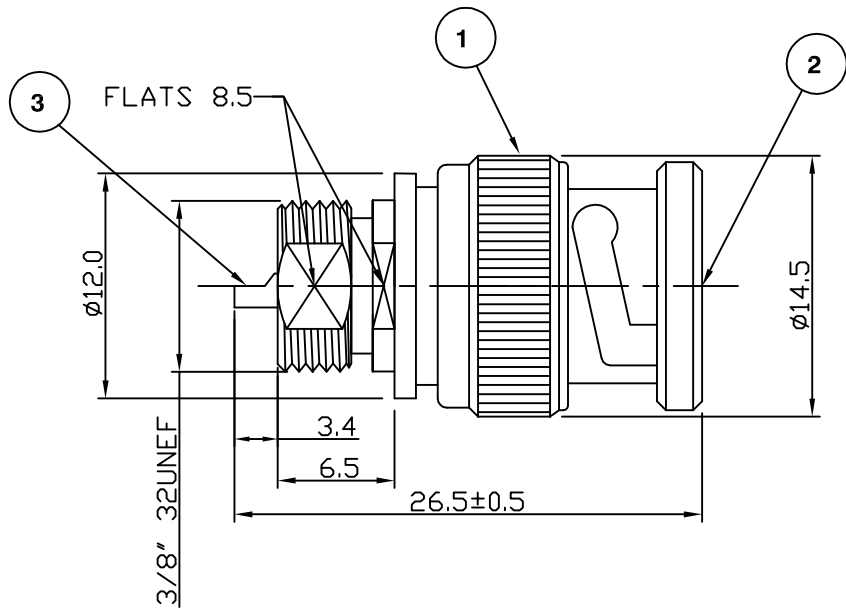
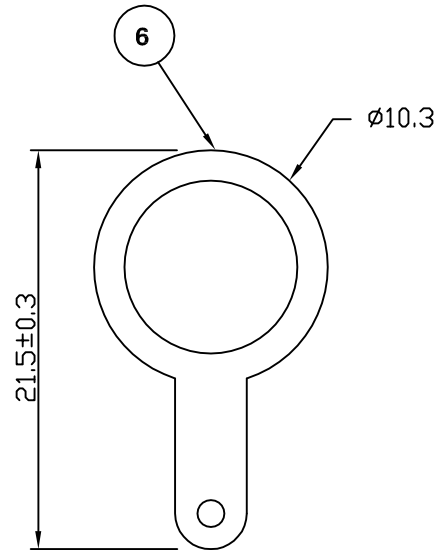
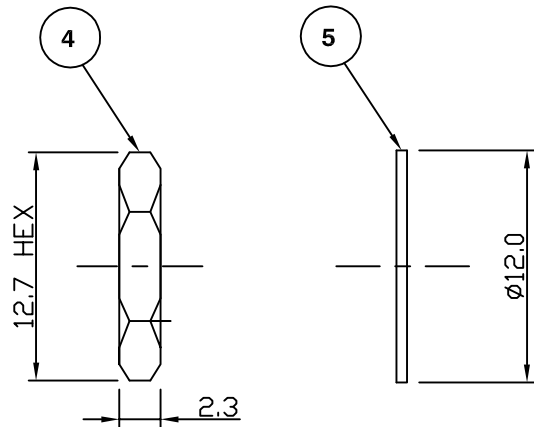


RoHS COMPLIANT



MOUNTING HOLE



Electrical Characteristics

Nominal Impedance:	50 ohms
Frequency Range:	DC to 4 GHz
Insertion Loss:	0.2 dB at 3 GHz
Operating Voltage (rms):	500 V maximum at sea level
Dielectric Withstand Voltage (rms):	1500 V maximum at sea level
Contact Resistance:	1.5 milliohms maximum
Insulation Resistance:	5000 megohms minimum

Mechanical Characteristics

Mating Cycles:	500 cycles minimum
Interface Dimensions:	Conform to MIL-C-39012

Environmental Characteristics

Temperature Range:	-55 °C to +85 °C
--------------------	------------------

PART	DESCRIPTION	
1	Body	Brass, nickel plated 1.78 µm
2	Dielectric	POM
3	Contact	Brass, gold plated 0.08 µm to 0.13 µm
4	Nut	Brass, nickel plated 1.78 µm
5	Washer	Brass, nickel plated 1.78 µm
6	Washer	Brass, nickel plated 1.78 µm

Added Dimension	JC	4	10 Jan 11
Changed Supplier	MS	3	04 Sep 07
Address changed	JW	2	02 Dec 05
First Issue	SN	1	15 April 02
DESCRIPTION OF REVISION	APPVD	ISS	DATE



Cinch Connectivity Solutions
 7-13 Russel Way,
 Widford Industrial Estate,
 Chelmsford, Essex,
 CM1 3AA, UK.
 Tel: +44 (0) 1245 359515
 Fax: +44 (0) 1245 358938

SCALE: Not To Scale

DIMENSIONS: mm

TOLERANCES:
 ± 0.2mm unless
 otherwise stated

DRAWN BY:	S Nash
CHECKED BY:	S Nash
APPROVED BY:	G Dalton
DATE:	15 April 02

TITLE:
BNC Bulkhead Plug

PART NUMBER:
VB2094

PAGE: 1 of 1