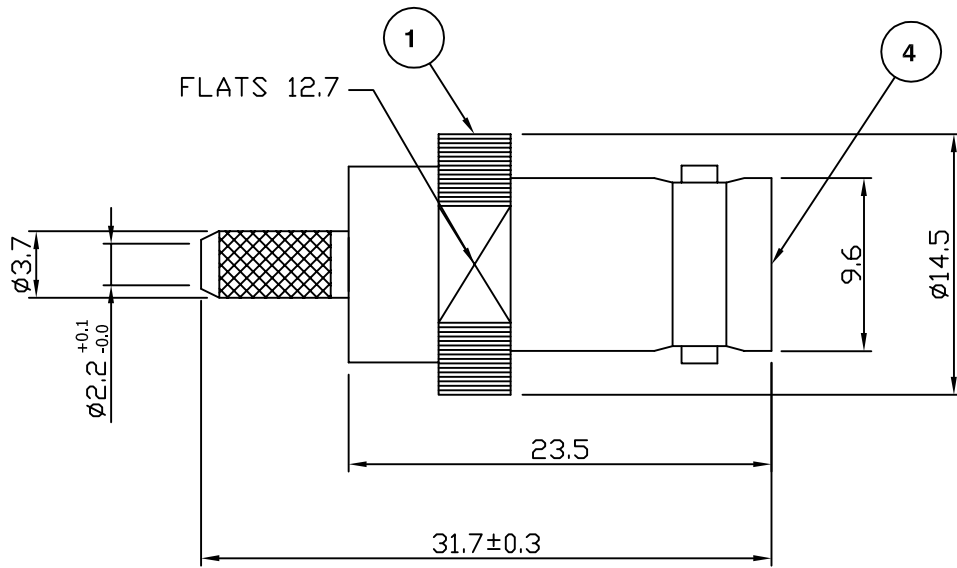


RoHS COMPLIANT



Electrical Characteristics

Nominal Impedance:	75 ohms
Frequency Range:	DC to 1 GHz
VSWR:	1.3:1 maximum
Insertion Loss:	0.2 dB at 1 GHz
Operating Voltage (rms):	500 V maximum at sea level
Dielectric Withstand Voltage (rms):	1500 V maximum at sea level
Contact Resistance:	1.5 milliohms maximum
Insulation Resistance:	5000 megohms minimum

Mechanical Characteristics

Mating Cycles:	500 cycles minimum
Interface Dimensions:	Conform to MIL-C-39012

Environmental Characteristics

Temperature Range:	-65 °C to +165 °C
--------------------	-------------------

PART	DESCRIPTION
1	Body Brass, nickel plated 1.78 µm
2	Ferrule Brass, nickel plated 1.78 µm
3	Contact Brass, gold plated 0.076 µm - 0.127 µm
4	Dielectric PTFE

Drawing Update	LB	4	26 Jan 10
CAD Issue	SN	3	21 Jan 02
Change Straight Ferrule To Tapered	DH	2	19 May 97
First Issue	DH	1	5 Sept 94
DESCRIPTION OF REVISION	APPVD	ISS	DATE

For stripping and assembly instructions see Drawing Number: VAIB3101



Cinch Connectivity Solutions
7-13 Russel Way,
Widford Industrial Estate,
Chelmsford, Essex,
CM1 3AA, UK.
Tel: +44 (0) 1245 359515
Fax: +44 (0) 1245 358938

SCALE: Not To Scale

DIMENSIONS: mm

TOLERANCES:
± 0.2mm unless
otherwise stated

DRAWN BY: L Barnsley

CHECKED BY: M Spooner

APPROVED BY: M Spooner

DATE: 26 Jan 10

TITLE:

BNC Crimp Jack for
RG179

PART NUMBER:

VB30-2061

PAGE: 1 of 1