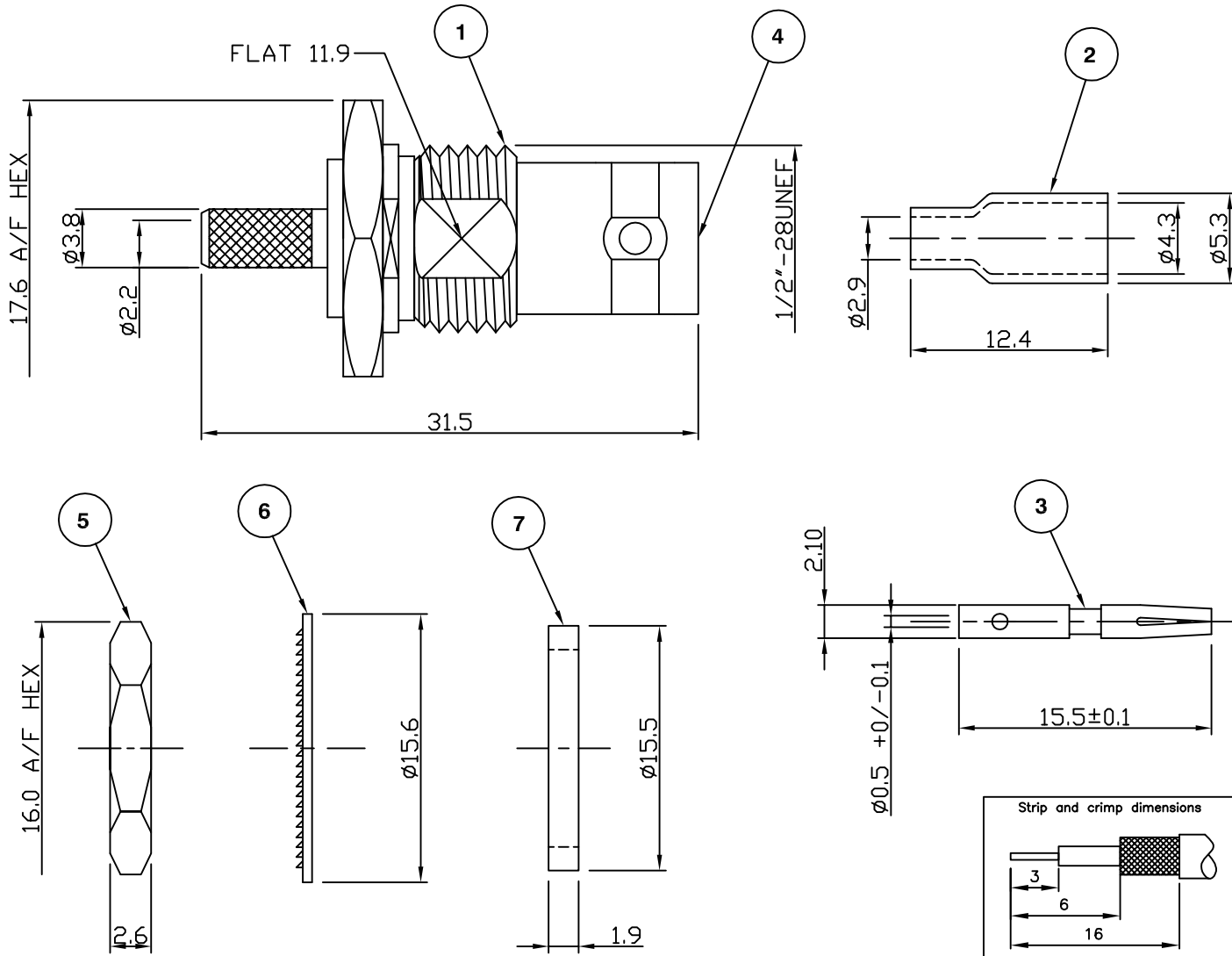


RoHS COMPLIANT



**Electrical Characteristics**

Nominal Impedance:	75 ohms
Frequency Range:	DC to 1 GHz
VSWR:	1.35:1 maximum
Insertion Loss:	0.2 dB at 3 GHz
Operating Voltage (rms):	500 V maximum at sea level
Dielectric Withstand Voltage (rms):	1500 V maximum at sea level
Contact Resistance:	1.5 milliohms maximum
Insulation Resistance:	5000 megohms minimum

**Mechanical Characteristics**

Mating Cycles:	500 cycles minimum
Interface Dimensions:	Conform to MIL-C-39012

**Environmental Characteristics**

Temperature Range:	-65 °C to +165 °C
--------------------	-------------------

PART	DESCRIPTION
1	Body Brass, nickel plated 1.78 µm
2	Ferrule Brass, nickel plated 1.78 µm
3	Contact Brass, gold plated 0.076 µm - 0.127 µm
4	Dielectric PTFE
5	Nut Brass, nickel plated 1.78 µm
6	Washer Steel, nickel plated 1.78 µm
7	Gasket Silicone

DESCRIPTION OF REVISION	APPVD	ISS	DATE
Add Tolerance to contact bore	MS	6	5 Oct 10
Strip & Crimp Dims Added	MS	5	24 Aug 09
Update dimensions	LB	4	23 June 09
Altered Assembly instructions	KA	3	14 Nov 08
Measurement update	KA	2	15 Aug 07
First Issue	RP	1	06 Dec 06

For stripping and assembly instructions see Drawing Number: VAIB4105



Cinch Connectivity Solutions  
7-13 Russel Way,  
Widford Industrial Estate,  
Chelmsford, Essex,  
CM1 3AA, UK,  
Tel: +44 (0) 1245 359515  
Fax: +44 (0) 1245 358938

SCALE: Not To Scale	DRAWN BY: R Presland	TITLE: BNC Bulkhead Crimp Jack for RG179
DIMENSIONS: mm	CHECKED BY: J Cracknell	PART NUMBER: VB40-2061
TOLERANCES: ± 0.2mm unless otherwise stated	APPROVED BY: M Spooner	PAGE: 1 of 1
	DATE: 06 Dec 06	

