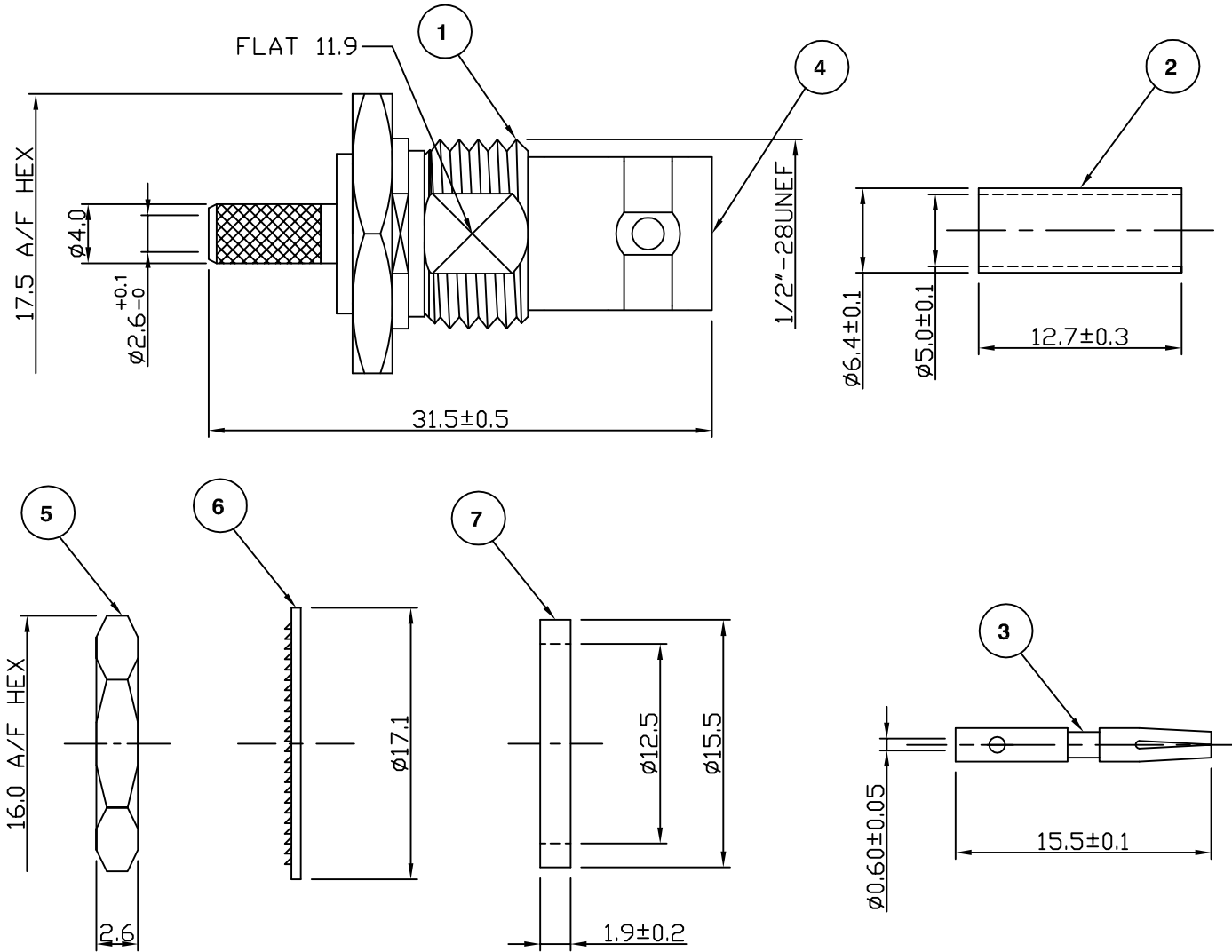


RoHS COMPLIANT



For stripping and assembly instructions see Drawing Number: VAIB4101

Electrical Characteristics

Nominal Impedance:	75 ohms
Frequency Range:	DC to 1 GHz
VSWR:	1.35:1 maximum
Insertion Loss:	0.2 dB at 1 GHz
Operating Voltage (rms):	500 V maximum at sea level
Dielectric Withstand Voltage (rms):	1500 V maximum at sea level
Contact Resistance:	1.5 milliohms maximum
Insulation Resistance:	5000 megohms minimum

Mechanical Characteristics

Mating Cycles:	500 cycles minimum
Interface Dimensions:	Conform to MIL-C-39012

Environmental Characteristics

Temperature Range:	-65 °C to +165 °C
--------------------	-------------------

PART	DESCRIPTION
1	Body Brass, nickel plated 2.58 μm
2	Ferrule Brass, nickel plated 2.58 μm
3	Contact Brass, gold plated 0.076 μm - 0.127 μm
4	Dielectric PTFE
5	Nut Brass, nickel plated 2.58 μm
6	Washer Steel, nickel plated 2.58 μm
7	Gasket Silicone

Altered Address	KA	4	14 Aug 07
HEX Modification	SN	3	28 Jun 02
CAD Issue	SN	2	22 Jan 02
First Issue	PC	1	20 March 01
DESCRIPTION OF REVISION	APPVD	ISS	DATE



Cinch Connectivity Solutions
7-13 Russel Way,
Widford Industrial Estate,
Chelmsford, Essex,
CM1 3AA, UK.
Tel: +44 (0) 1245 359515
Fax: +44 (0) 1245 358938

SCALE: Not To Scale

DIMENSIONS: mm

TOLERANCES:
± 0.2mm unless
otherwise stated

DRAWN BY:

S Nash

CHECKED BY:

R Drenan

APPROVED BY:

P D Couzens

DATE:

28 Jun 02

TITLE:

BNC Bulkhead Crimp Jack
for Filotex L910-34 &
L910-39 Cable

PART NUMBER:

VB40-2079

PAGE: 1 of 1