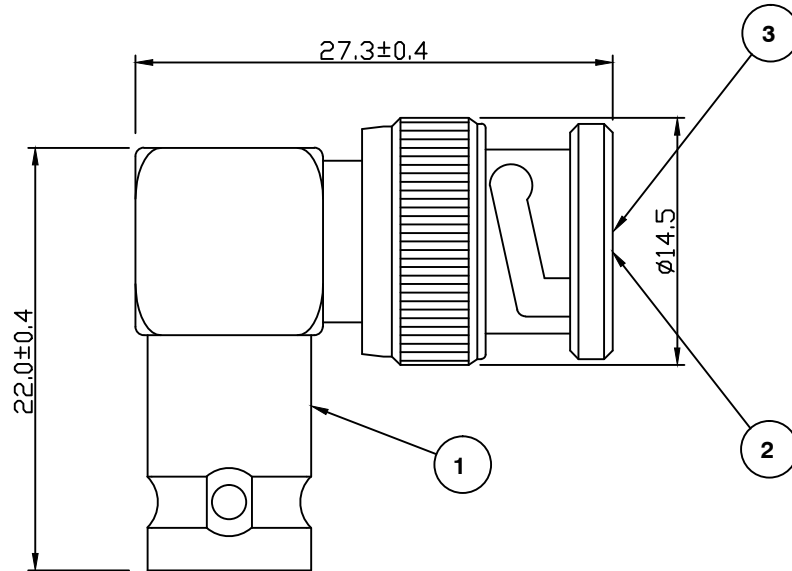


RoHS COMPLIANT



Electrical Characteristics

Nominal Impedance: 50 ohms
 Frequency Range: DC to 4 GHz
 VSWR: 1.35:1 maximum
 Insertion Loss: 0.2 dB at 3 GHz
 Operating Voltage (rms): 500 V maximum at sea level
 Dielectric Withstand Voltage (rms): 1500 V maximum at sea level
 Contact Resistance: 1.5 milliohms maximum
 Insulation Resistance: 5000 megohms minimum

Mechanical Characteristics

Mating Cycles: 500 cycles minimum
 Interface Dimensions: Conform to MIL-C-39012

Environmental Characteristics

Temperature Range: -55 °C to +85 °C

| | PART | DESCRIPTION |
|---|------------|----------------------|
| 1 | Body | Brass, nickel plated |
| 2 | Dielectric | POM |
| 3 | Contact | Brass, gold plated |

| | | | |
|-------------------------|-------|-----|-----------|
| Dimension Update | MS | 3 | 20 Nov 19 |
| CAD Issue | SN | 2 | 24 Mar 04 |
| First Issue | SN | 1 | 05 Oct 92 |
| DESCRIPTION OF REVISION | APPVD | ISS | DATE |



CINCH CONNECTIVITY SOLUTIONS
 11 Bilton Road,
 Chelmsford, Essex,
 CM1 2UP, UK.
 Tel: +44 (0) 1245 359515
 Fax: +44 (0) 1245 358938

SCALE: Not To Scale

DIMENSIONS: mm

TOLERANCES:
 ± 0.2mm unless
 otherwise stated

DRAWN BY:

S Nash

CHECKED BY:

P Couzens

APPROVED BY:

P Couzens

DATE:

24 Mar 04

TITLE:

Right Angle BNC Plug to
 BNC Jack

PART NUMBER:

VBA107

PAGE: 1 of 1