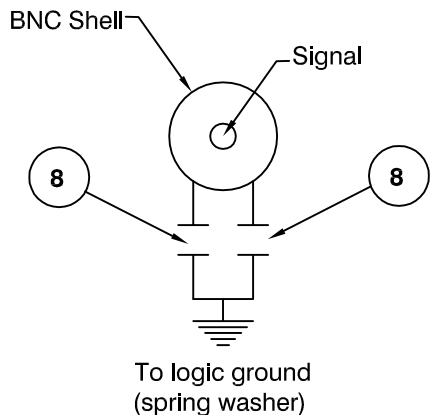
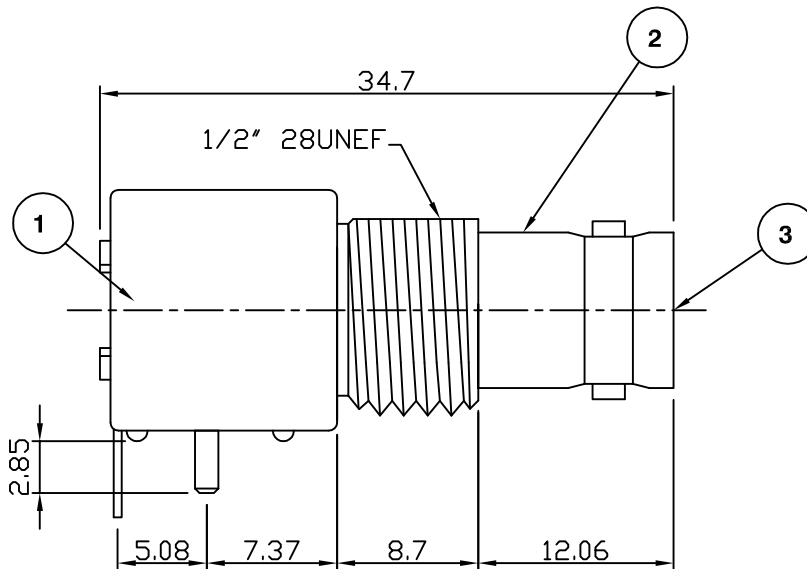
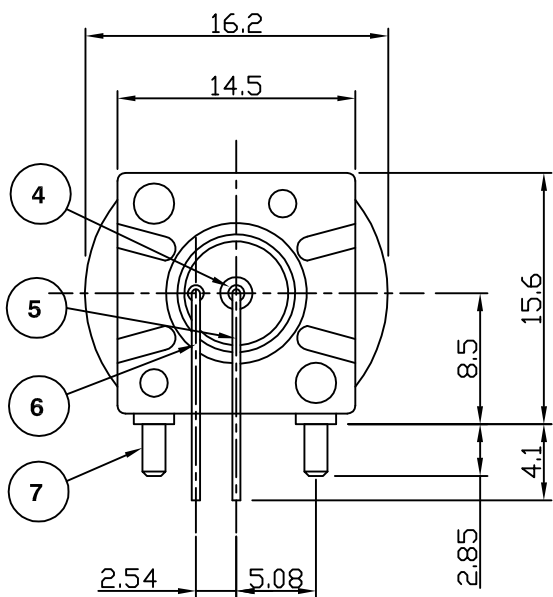
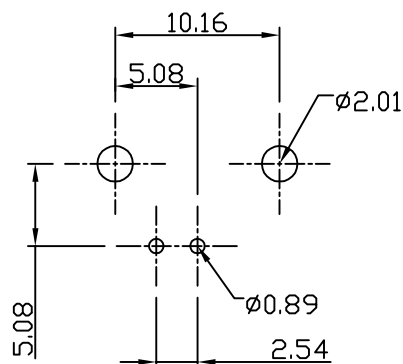


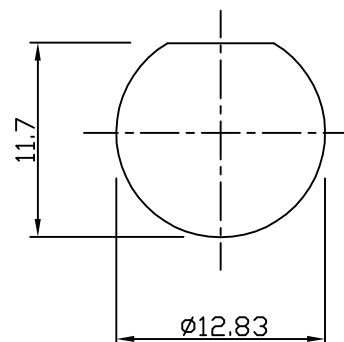
RoHS COMPLIANT



Capacitor Circuit Diagram



Recommended PCB Layout



Panel Cut-out

**Electrical Characteristics**

Nominal Impedance:	75 ohms
Frequency Range:	DC to 1 GHz
Operating Voltage (rms):	500 V maximum at sea level
Dielectric Withstand Voltage (rms):	1500 V maximum at sea level
Contact Resistance:	3.0 milliohms maximum
Insulation Resistance:	5000 megohms minimum

**Mechanical Characteristics**

Mating Cycles:	500 cycles minimum
Interface Dimensions:	Conform to MIL-C-39012

**Environmental Characteristics**

Temperature Range:	-65 °C to +165 °C
--------------------	-------------------

PART	DESCRIPTION
1 Body	PBT + 30% Glass Fibre (UL:94V-0)
2 Body	Zinc Alloy, nickel plated
3 Insulator	Polypropylene
4 Contact	Phosphor bronze, gold plated (Interface)
5 Signal Lead	Copper clad steel, tin plated
6 Ground Terminal	Copper wire, tin plated
7 Mounting Post	Brass, tin plated
8 Ceramic Chip Capacitor X 2	4700 pF ±10%

Corrected note Item 5, was tin lead	MS	2	05 Sep 13
First Issue	SN	1	11 Dec 01
DESCRIPTION OF REVISION	APPVD	ISS	DATE

**Cinch Connectivity Solutions**  
 11 Bilton Road,  
 Chelmsford, Essex,  
 CM1 3AA,  
 UK.  
 Tel: +44 (0) 1245 359515  
 Fax: +44 (0) 1245 358938

SCALE: Not To Scale  
 DIMENSIONS: mm  
 TOLERANCES:  
 ± 0.2mm unless  
 otherwise stated

DRAWN BY: S Nash  
 CHECKED BY: P Couzens  
 APPROVED BY: M Nielsen  
 DATE: 11 Dec 01

TITLE:  
**BNC Right Angle PCB Mount  
 Jack Filter Connector**

PART NUMBER:  
**VBF201-75**  
 PAGE: 1 of 1