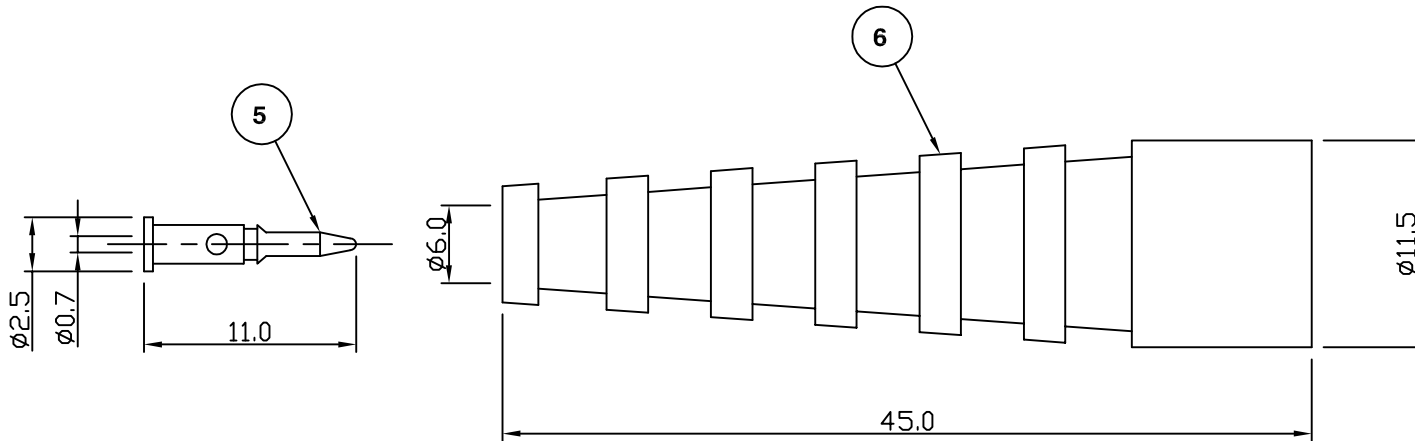
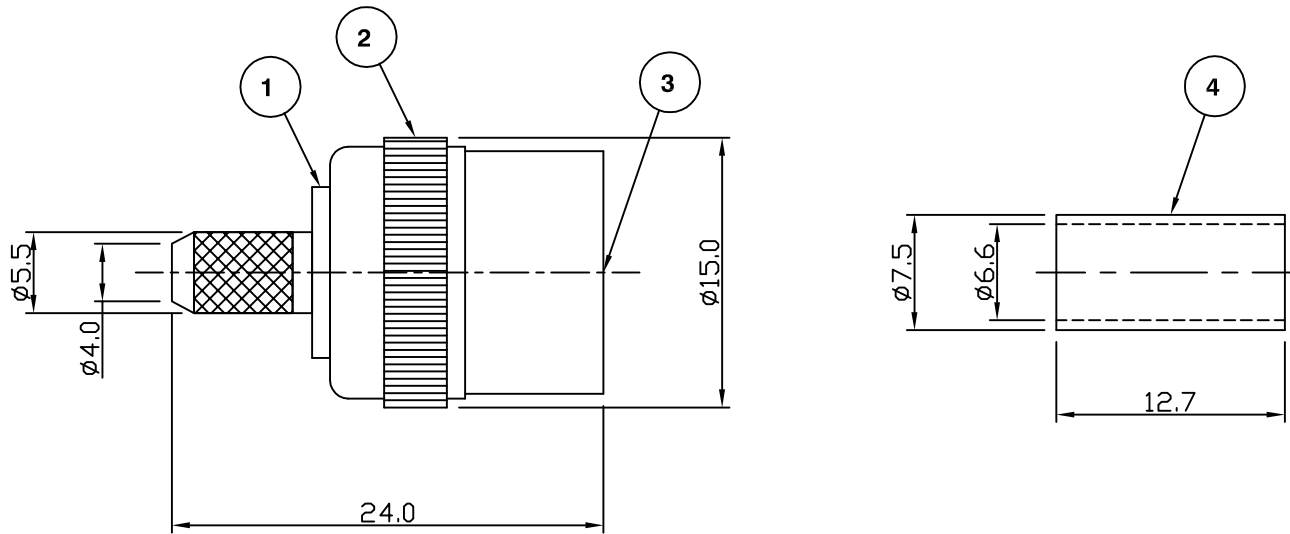


RoHS COMPLIANT



For stripping and assembly instructions see Drawing Number: VAIB1101

Electrical Characteristics

Nominal Impedance:	50 ohms
Frequency Range:	DC to 4 GHz
VSWR:	1.3:1 maximum
Insertion Loss:	0.2 dB at 3 GHz
Operating Voltage (rms):	500 V maximum at sea level
Dielectric Withstand Voltage (rms):	1500 V maximum at sea level
Contact Resistance:	1.5 milliohms maximum
Insulation Resistance:	5000 megohms minimum

Mechanical Characteristics

Mating Cycles:	500 cycles minimum
Interface Dimensions:	Conform to MIL-C-39012

Environmental Characteristics

Temperature Range:	-55 °C to +85 °C
--------------------	------------------

PART	DESCRIPTION
1	Body Brass, nickel plated
2	Cap PC, black
3	Dielectric POM
4	Ferrule Brass, nickel plated
5	Contact Brass, gold plated
6	Strain Relief PVC, black

CAD Issue	SN	2	23 Aug 02
First Issue	IS	1	06 Aug 93
DESCRIPTION OF REVISION	APPVD	ISS	DATE



Cinch Connectivity Solutions
7-13 Russell Way,
Widford Industrial Estate,
Chelmsford, Essex,
CM1 3AA, UK.
Tel: +44 (0) 1245 359515
Fax: +44 (0) 1245 358938

SCALE: Not To Scale	DRAWN BY:	S Nash
DIMENSIONS: mm	CHECKED BY:	P Couzens
TOLERANCES: ± 0.2mm unless otherwise stated	APPROVED BY:	P Couzens
	DATE:	23 Aug 02

TITLE:
**Insulated BNC Crimp
Plug for RG59**

PART NUMBER:
VBI10-2031

PAGE: 1 of 1