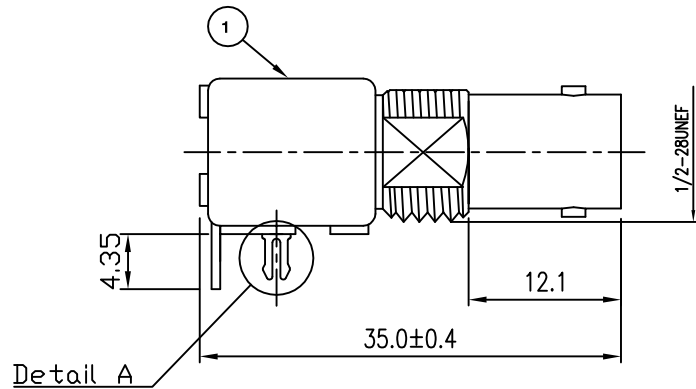
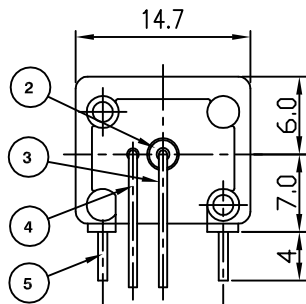


RoHS COMPLIANT



Electrical Characteristics

Nominal Impedance:	75 ohms
Frequency Range:	DC to 1 GHz
VSWR:	1.3:1 maximum
Insertion Loss:	0.2 dB at 1 GHz
Operating Voltage (rms):	500 V maximum at sea level
Dielectric Withstand Voltage (rms):	1500 V maximum at sea level
Contact Resistance:	3.0 milliohms maximum
Insulation Resistance:	500 megohms minimum

Mechanical Characteristics

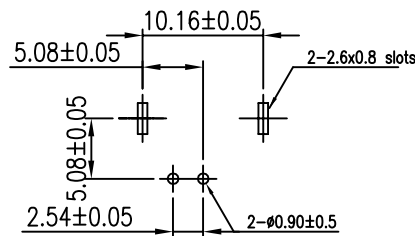
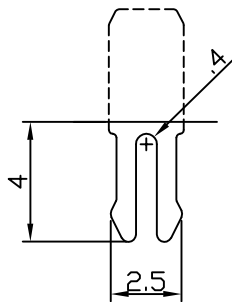
Mating Cycles:	500 cycles minimum
Interface Dimensions:	Conform to MIL-C-39012

Environmental Characteristics

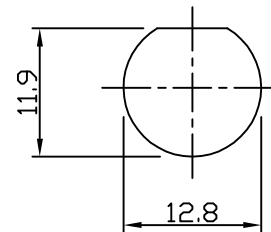
Temperature Range:	-55 °C to +85 °C
--------------------	------------------

PART	DESCRIPTION
1	Body Zinc Alloy, nickel plated
2	Dielectric Polypropylene, UL94V-0
3	Contact Phosphor Bronze, gold plated
4	Ground Contact Copper Clad Steel, tin plated
5	Captive Leg Phosphor Bronze, tin plated >5 microns

Detail A



Recommended PCB Layout



Panel Cutout

DESCRIPTION OF REVISION	APPVD	ISS	DATE
PCB layout changed	MS	4	22 Feb 08
Profile of board lock changed	MS	3	14 Feb 08
CAD Issue	PDC	2	26 Mar 02
First Issue	CBB	1	25 Jan 96



Cinch Connectivity Solutions
7-13 Russel Way,
Widford Industrial Estate,
Chelmsford, Essex,
CM1 3AA, UK.
Tel: +44 (0) 1245 359515
Fax: +44 (0) 1245 358938

SCALE: Not To Scale

DIMENSIONS: mm

TOLERANCES:
± 0.2mm unless
otherwise stated

DRAWN BY: P Couzens

CHECKED BY: P Couzens

APPROVED BY: S Nash

DATE: 26 Mar 02

TITLE:
**Low Profile BNC Shielded
Right Angle PCB Mount Jack**

PART NUMBER:
VBM211C-75

PAGE: 1 of 1