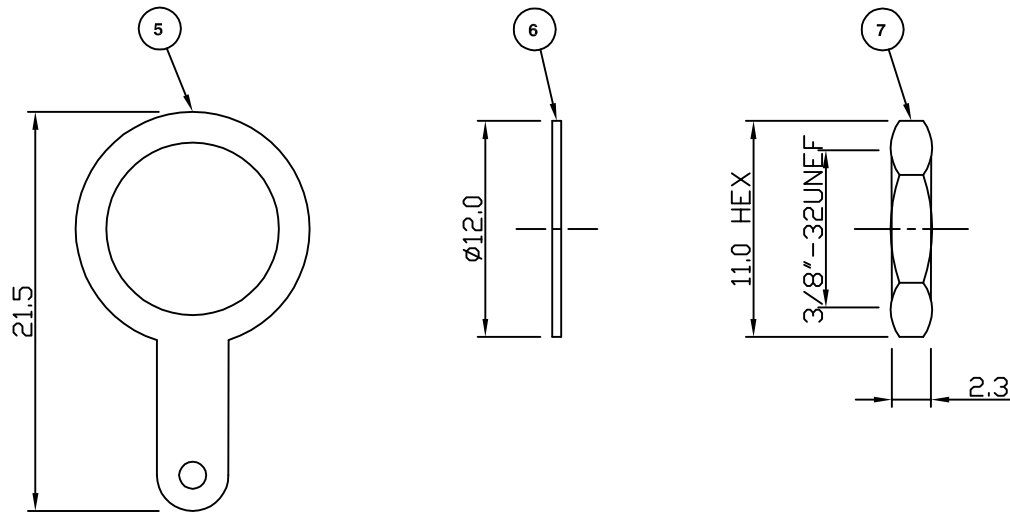
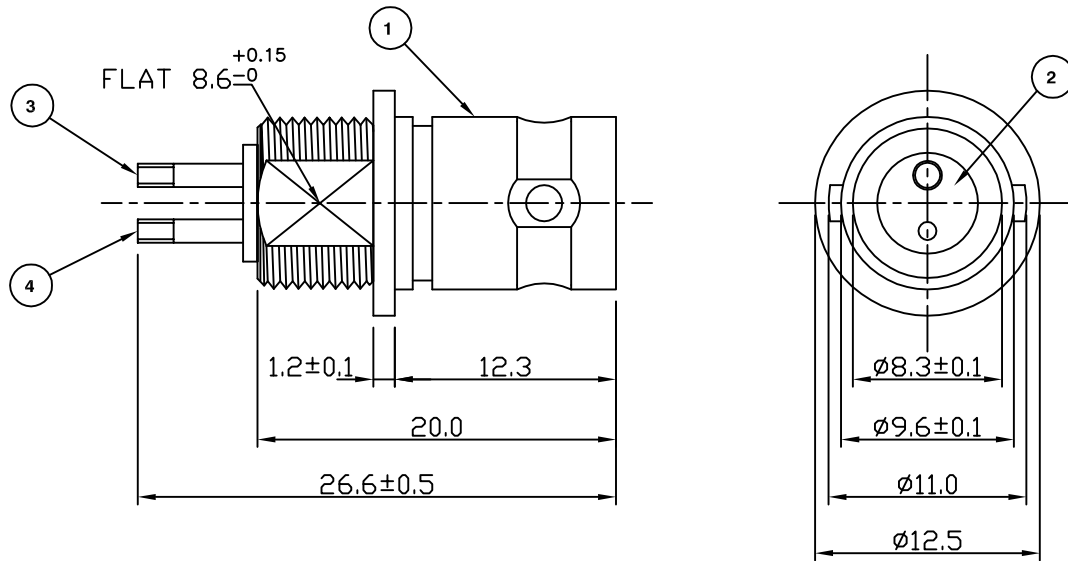


RoHS COMPLIANT



Electrical Characteristics

Nominal Impedance:	Non Constant
Frequency Range:	DC to 200MHz (500MHz max)
Operating Voltage (rms):	500 V maximum at sea level
Dielectric Withstand Voltage (rms):	1500 V maximum at sea level
Contact Resistance:	1.5 milliohms maximum
Insulation Resistance:	5000 megohms minimum

Mechanical Characteristics

Mating Cycles:	500 cycles minimum
Interface Dimensions:	Conform to MIL-C-3655

Environmental Characteristics

Temperature Range:	-55 °C to +85 °C
--------------------	------------------

PART	DESCRIPTION
1	Body Brass, nickel plated
2	Dielectric PBT
3	Contact Be Cu, gold plated
4	Contact Brass, gold plated
5	Washer Brass, nickel plated
6	Washer Brass, nickel plated
7	Nut Brass, nickel plated

CAD Issue	SN	2	04 Oct 02
First Issue	AT	1	19 Dec 94
DESCRIPTION OF REVISION	APPVD	ISS	DATE



Cinch Connectivity Solutions
7-13 Russel Way,
Widford Industrial Estate,
Chelmsford, Essex,
CM1 3AA, UK.
Tel: +44 (0) 1245 359515
Fax: +44 (0) 1245 358938

SCALE: Not To Scale

DIMENSIONS: mm

TOLERANCES:
± 0.2mm unless
otherwise stated

DRAWN BY:

S Nash

CHECKED BY:

P Couzens

APPROVED BY:

P Couzens

DATE:

04 Oct 02

TITLE:

Twin BNC Bulkhead Jack

PART NUMBER:

VBT40-2031

PAGE: 1 of 1