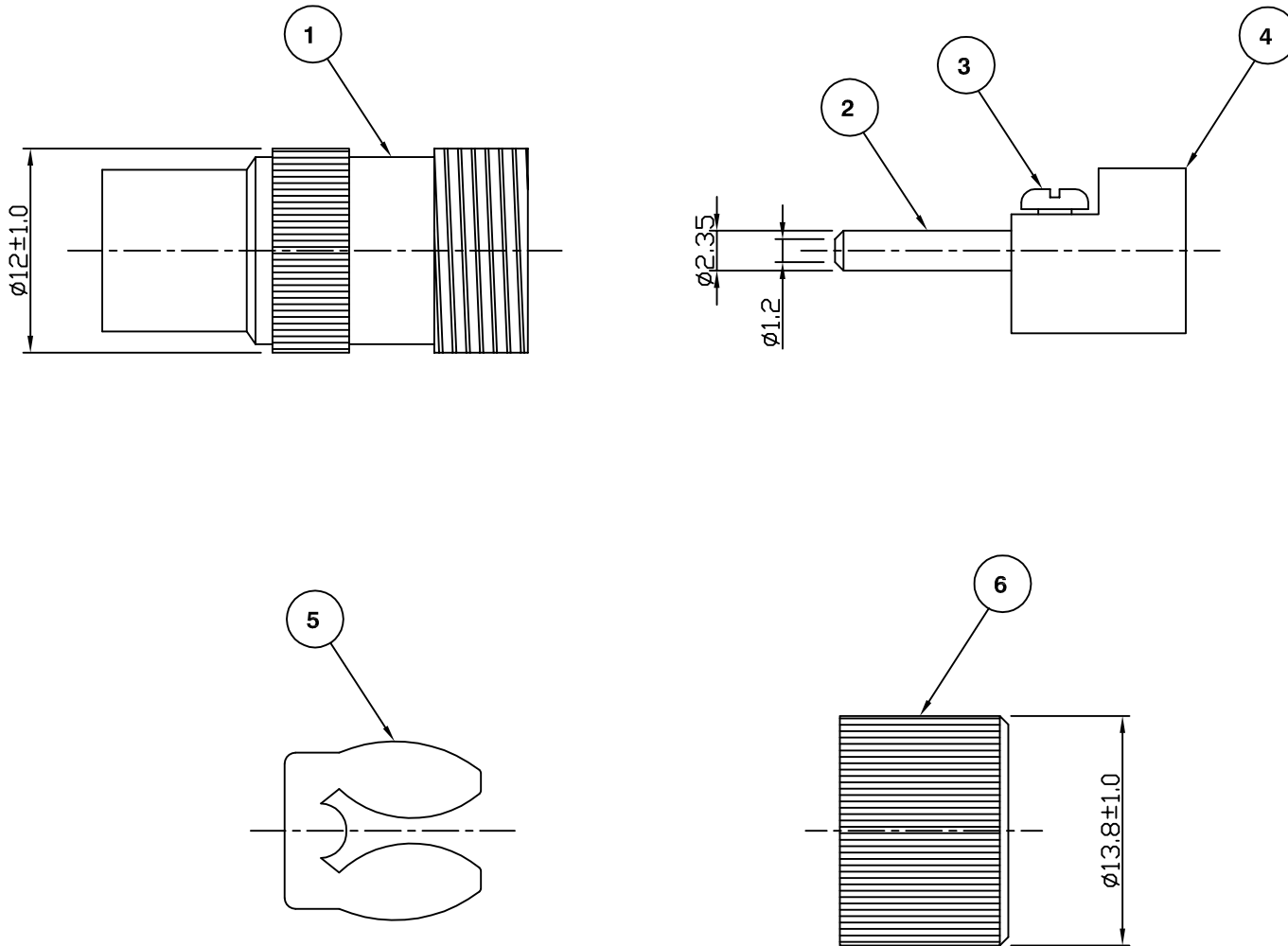


RoHS COMPLIANT



**Total length of connector when assembled is  $33 \pm 1$  mm**  
**For stripping and assembly instructions see Drawing Number: VAIE1102**

**Electrical Characteristics**

Nominal Impedance: 60-75 Ohms  
 Frequency Range: DC to 900 MHz  
 VSWR: 1.35:1 maximum  
 Operating Voltage (DC): 4000 V maximum  
 Dielectric Withstand Voltage (rms): 1500 V maximum at sea level  
 Contact Resistance: 3.0 milliohms maximum  
 Insulation Resistance: 10000 megohms minimum

**Mechanical Characteristics**

Mating Cycles: 50 cycles (subject to cable)  
 Interface Dimensions: Conform to MIL-C-39012

**Environmental Characteristics**

Temperature Range: -55 °C to +85 °C

	PART	DESCRIPTION
1	Body	Brass, nickel plated 2.54 $\mu$ m
2	Contact	Brass, nickel plated 2.54 $\mu$ m
3	Screw	Steel, nickel plated 2.54 $\mu$ m
4	Insulator	POM
5	Clamp	Steel, nickel plated 2.54 $\mu$ m
6	Shell	Brass, nickel plated 2.54 $\mu$ m

First Issue	SN	1	10 Jan 02
DESCRIPTION OF REVISION	APPVD	ISS	DATE



Cinch Connectivity Solutions:  
 7-13 Russel Way,  
 Widford Industrial Estate,  
 Chelmsford,  
 Essex,  
 CM1 3AA, UK  
 Tel: +44 (0) 1245 359515  
 Fax: +44 (0) 1245 358938

SCALE: Not To Scale

DIMENSIONS: mm

TOLERANCES:  
 $\pm 0.2$ mm unless  
 otherwise stated

DRAWN BY:

S Nash

CHECKED BY:

M Nielsen

APPROVED BY:

P Couzens

DATE:

10 Jan 02

TITLE:

**Euro Screw Termination Plug  
 for RG59**

PART NUMBER:

**VE10-59**

PAGE: 1 of 1